

MODEL : MF-7700

List No : 1376-04

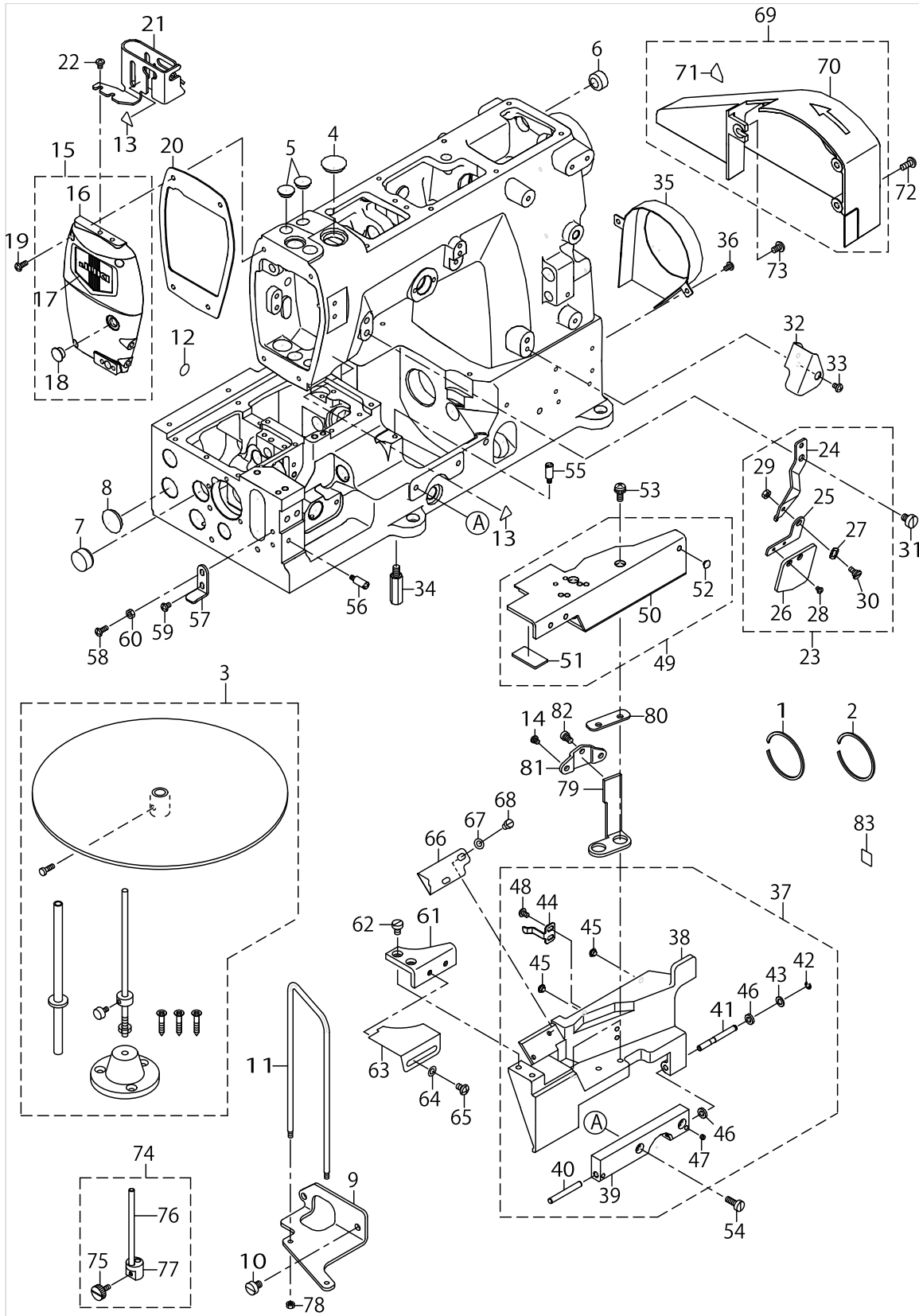
PARTS LIST

Published:02/15/2019

CONTENTS

| | |
|---|----|
| FRAME & MISCELLANEOUS COVER COMPONENTS (1) | 1 |
| FRAME & MISCELLANEOUS COVER COMPONENTS (2) | 5 |
| MAIN SHAFT COMPONENTS | 9 |
| NEEDLE BAR & PRESSER COMPONENTS..... | 13 |
| FEED DRIVE COMPONENTS (1) | 17 |
| FEED DRIVE COMPONENTS (2) | 21 |
| THREAD TAKE-UP LEVER COMPONENTS..... | 25 |
| SPREADER COMPONENTS..... | 29 |
| LOWER THREAD CAM COMPONENTS..... | 31 |
| NEEDLE GUARD COMPONENTS | 35 |
| LOOPER COMPONENTS | 37 |
| THREAD TENSION COMPONENTS | 39 |
| LUBRICATION COMPONENTS | 41 |
| THREAD STAND COMPONENTS..... | 45 |
| GAUGE PARTS COMPONENTS (1) (FOR MF-7700-U10)..... | 47 |
| GAUGE PARTS COMPONENTS (2) (FOR MF-7700-C10)..... | 51 |
| NEEDLE COOLING MECHANISM COMPONENTS..... | 55 |
| ACCESSORIES PARTS COMPONENTS | 57 |
| LIST FOR INFORMATION OF CHANGE (1)..... | 59 |
| LIST FOR INFORMATION OF CHANGE (2)..... | 60 |
| HOW TO MAKE USE OF THIS PARTS LIST | 61 |

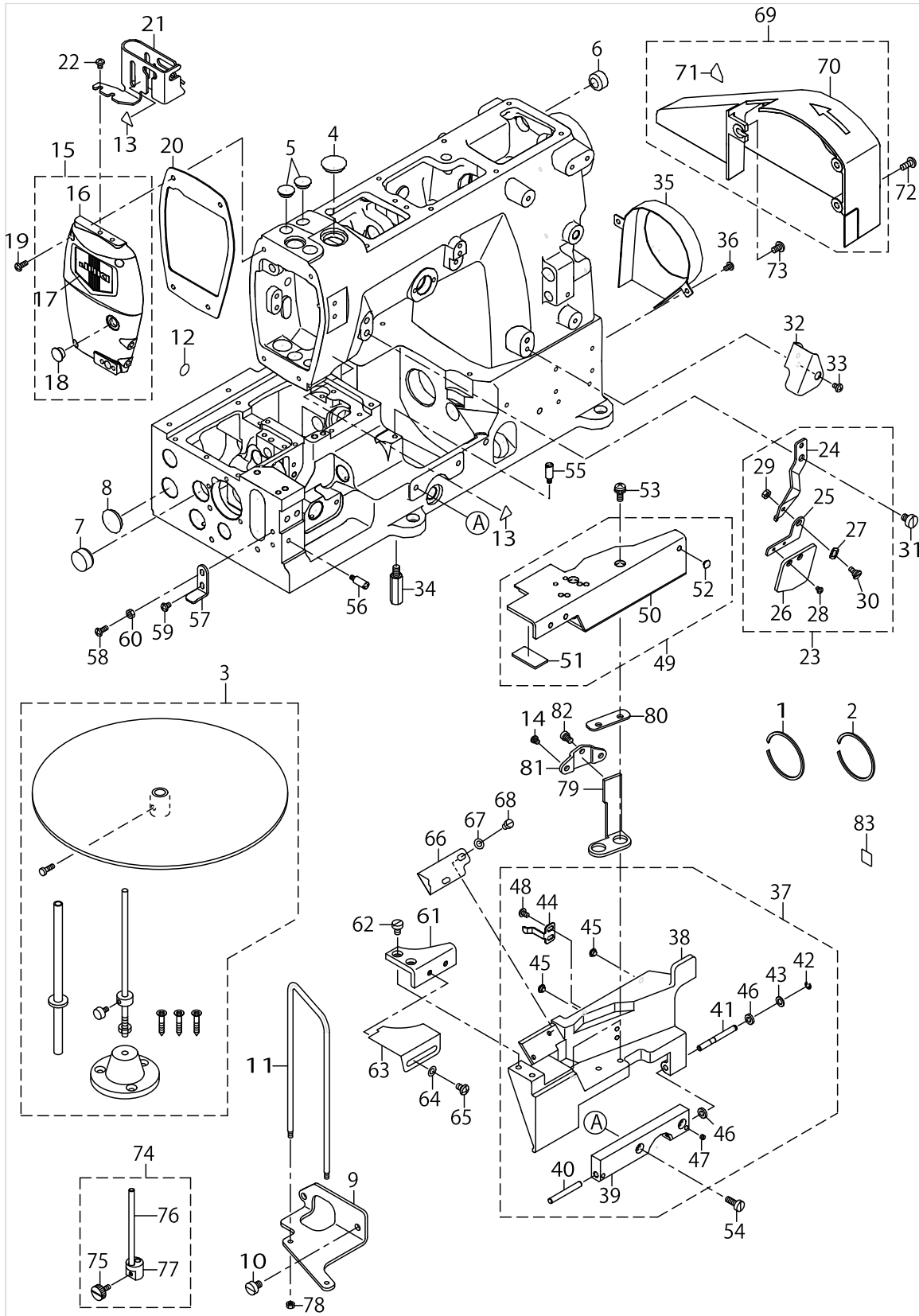
FRAME & MISCELLANEOUS COVER COMPONENTS (1)



FRAME & MISCELLANEOUS COVER COMPONENTS (1)

| No. | Parts No. | Parts name | Remarks | Level | Cons | Qty |
|-----|-------------|--------------------------|-----------------|-------|------|-----|
| 1 | RC4881514KP | C-RING | | | | 1 |
| 2 | RC4381514KP | C-RING | | | | 1 |
| 3 | 40062154 | TAPE_REEL_ASSEMBLY | | | | 1 |
| 4 | TA2050406R0 | RUBBER PLUG | | | | 1 |
| 5 | TA1250406R0 | RUBBER PLUG D=12.5 L=4 | | | | 2 |
| 6 | TA1701002R0 | RUBBER PLUG | | | | 1 |
| 7 | TA2101002R0 | RUBBER PLUG | | | | 1 |
| 8 | TA2050416R0 | RUBBER PLUG | | | | 1 |
| 9 | 13365002 | BASE | FOR MF-7700-C10 | | | 1 |
| 10 | SM6060800SP | SCREW M6 L=8 | FOR MF-7700-C10 | | | 2 |
| 11 | 13365101 | GUIDE | FOR MF-7700-C10 | | | 1 |
| 12 | 22901805 | GROUND MARK | | | | 1 |
| 13 | CM300200001 | ATTENTION SEAL | | | | 2 |
| 14 | SS7110510SP | SCREW 11/64-40 L=5 | FOR MF-7700-C10 | | | 2 |
| 15 | 13300959 | ASSY HEAD COVER | | | | 1 |
| 16 | 13300900 | HEAD COVER | | * | | 1 |
| 17 | 22902506 | FACE PLATE | | * | | 1 |
| 18 | TA1050504R0 | RUBBER PLUG | | * | | 1 |
| 19 | SM4041055SP | SCREW | | | | 4 |
| 20 | 13301007 | GASKET H | | | | 1 |
| 21 | 13301304 | NEEDLE BAR GUARD | | | | 1 |
| 22 | SM4040655SP | SCREW M4 L=6 | | | | 2 |
| 23 | 40033518 | PROTECTION_SHIELD_ASSY | | | | 1 |
| 24 | 40033340 | BRACKET HOLDER | | * | | 1 |
| 25 | 40033341 | BRACKET | | * | | 1 |
| 26 | 13301700 | PROTECTION SHIELD | | * | | 1 |
| 27 | WZ0641510KP | WAVED WASHER 6.4X11X0.3 | | * | | 1 |
| 28 | SM4030455SN | SCREW | | * | | 2 |
| 29 | NM6040001SP | NUT M4X0.7 | | * | | 1 |
| 30 | SD0640246SP | HINGE SCREW D=6.35 H=2.4 | | * | | 1 |
| 31 | SM6060800SP | SCREW M6 L=8 | | | | 1 |
| 32 | 13301403 | THREAD COVER | | | | 1 |
| 33 | SM4040655SP | SCREW M4 L=6 | | | | 1 |
| 34 | 13301809 | SUPPORT STUD | | | | 4 |
| 35 | 13302401 | LMS_FAN_COVER | | | | 1 |
| 36 | SM4040655SP | SCREW M4 L=6 | | | | 2 |
| 37 | 13303359 | SWING_DOWN_COVER_ASSY | | | | 1 |
| 38 | 13303300 | SWING DOWN COVER | | * | | 1 |
| 39 | 13303508 | HINGE | | * | | 1 |
| 40 | PH0500400C0 | PARALLEL PIN | | * | | 1 |
| 41 | 13305206 | PIN_FOR_S_D_COVER | | * | | 1 |
| 42 | RE0300000K0 | E-RING 3 | | * | | 1 |
| 43 | WP0550800SP | WASHER 5.5X10X0.8 | | * | | 1 |
| 44 | 13304308 | LATCH SPRING | | * | | 1 |
| 45 | 13302302 | RUBBER BUMPER | | * | | 2 |
| 46 | 13302708 | RUBBER_WASHER | | * | | 2 |
| 47 | SM8040360TP | SCREW | | * | | 2 |

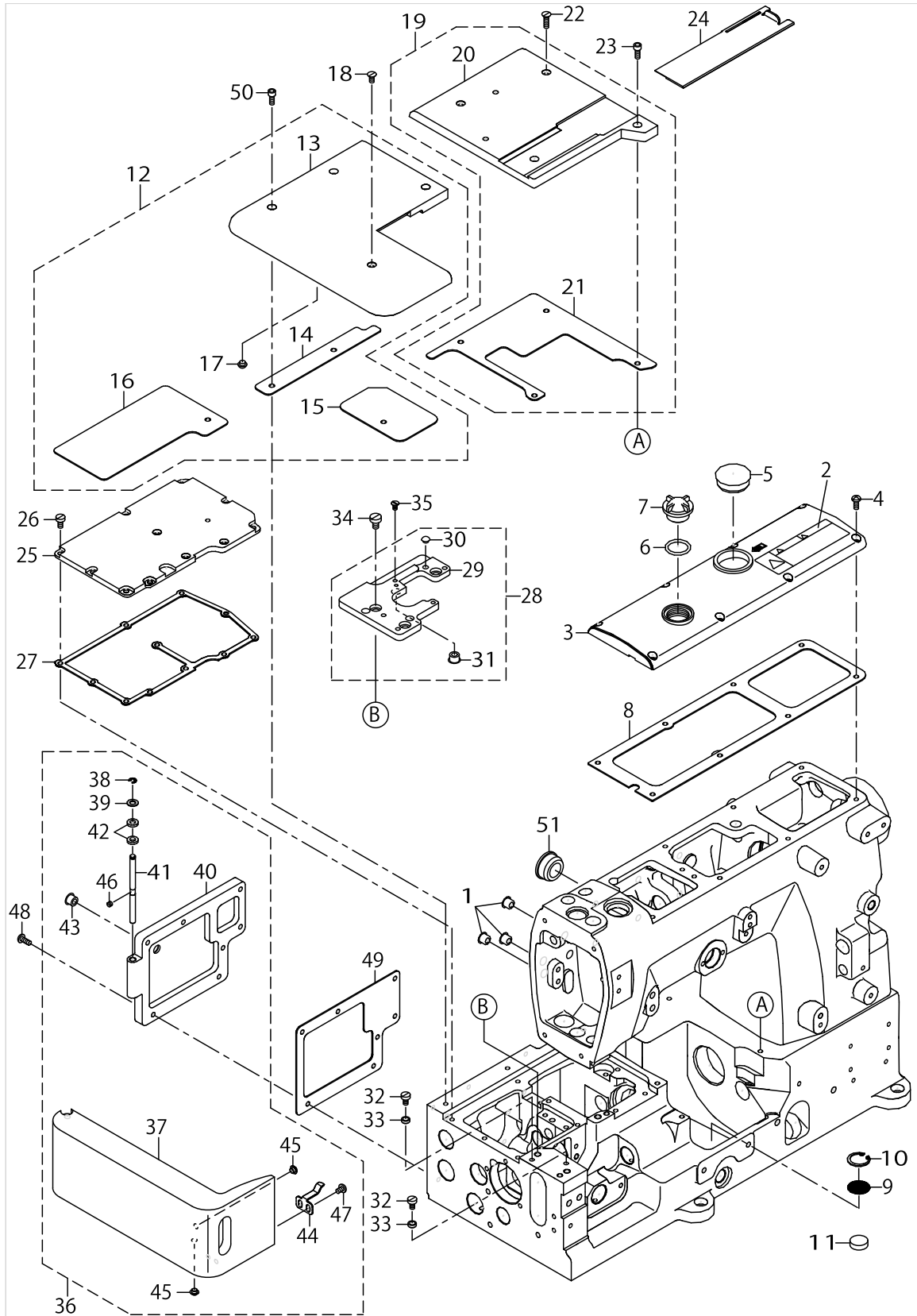
FRAME & MISCELLANEOUS COVER COMPONENTS (1)



FRAME & MISCELLANEOUS COVER COMPONENTS (1)

| No. | Parts No. | Parts name | Remarks | Level | Cons | Qty |
|-----|-------------|-------------------------|-----------------|-------|------|-----|
| 48 | SM4040655SP | SCREW M4 L=6 | | * | | 2 |
| 49 | 13303458 | ASSY_BRACKET | FOR MF-7700-U10 | | | 1 |
| 50 | 13303409 | BRACKET | | * | | 1 |
| 51 | 13305305 | RUBBER_BOARD | | * | | 1 |
| 52 | 13302302 | RUBBER BUMPER | | * | | 1 |
| 53 | SL4051485SC | SCREW | | | | 2 |
| 54 | SM6051400SP | SCREW | | | | 2 |
| 55 | 13302104 | PIN | | | | 1 |
| 56 | 13302104 | PIN | | | | 1 |
| 57 | 13304209 | SUPPORT BRACKET | | | | 1 |
| 58 | SM4041055SP | SCREW | | | | 1 |
| 59 | SM4040655SP | SCREW M4 L=6 | | | | 1 |
| 60 | NM6040001SP | NUT M4X0.7 | | | | 1 |
| 61 | 13366000 | BRACKET | FOR MF-7700-C10 | | | 1 |
| 62 | SM6050800SP | SCREW M5 L=8 | FOR MF-7700-C10 | | | 2 |
| 63 | 13366208 | BINDER_PLATE | FOR MF-7700-C10 | | | 1 |
| 64 | WP0531001SC | WASHER | FOR MF-7700-C10 | | | 2 |
| 65 | SM4050855SP | SCREW | FOR MF-7700-C10 | | | 2 |
| 66 | 40066085 | FABRIC_GUIDE | FOR MF-7700-C10 | | | 1 |
| 67 | WP0450826SC | WASHER 4.5X10X0.8 | FOR MF-7700-C10 | | | 2 |
| 68 | SM6040610SC | SCREW M4X0.7 L=6 | FOR MF-7700-C10 | | | 2 |
| 69 | 13302658 | DRIVING BELT COVER ASSY | | | | 1 |
| 70 | 13302609 | DRIVING BELT COVER | | * | | 1 |
| 71 | CM3002000A1 | CAUTION LABEL(16) | | * | | 1 |
| 72 | SM4051255SP | SCREW.,M5 L=12. | | | | 2 |
| 73 | SM4050855SP | SCREW | | | | 1 |
| 74 | 13365259 | GUIDE_PIN_ASSY | FOR MF-7700-C10 | | | 2 |
| 75 | 13365507 | SCREW | | * | | 1 |
| 76 | 13365200 | GUIDE_PIN | | * | | 1 |
| 77 | 13365309 | PIN_BASE | | * | | 1 |
| 78 | NM6040000SN | NUT M4 | FOR MF-7700-C10 | | | 2 |
| 79 | 13304407 | TAPE_BINDER_BRACKET | FOR MF-7700-C10 | | | 1 |
| 80 | 13366307 | PLATE | FOR MF-7700-C10 | | | 1 |
| 81 | 13365408 | FOLDER_CLAMP | FOR MF-7700-C10 | | | 1 |
| 82 | SM6050800SP | SCREW M5 L=8 | FOR MF-7700-C10 | | | 1 |
| 83 | CM600100101 | WEEE MARK LABEL S | | | | 1 |

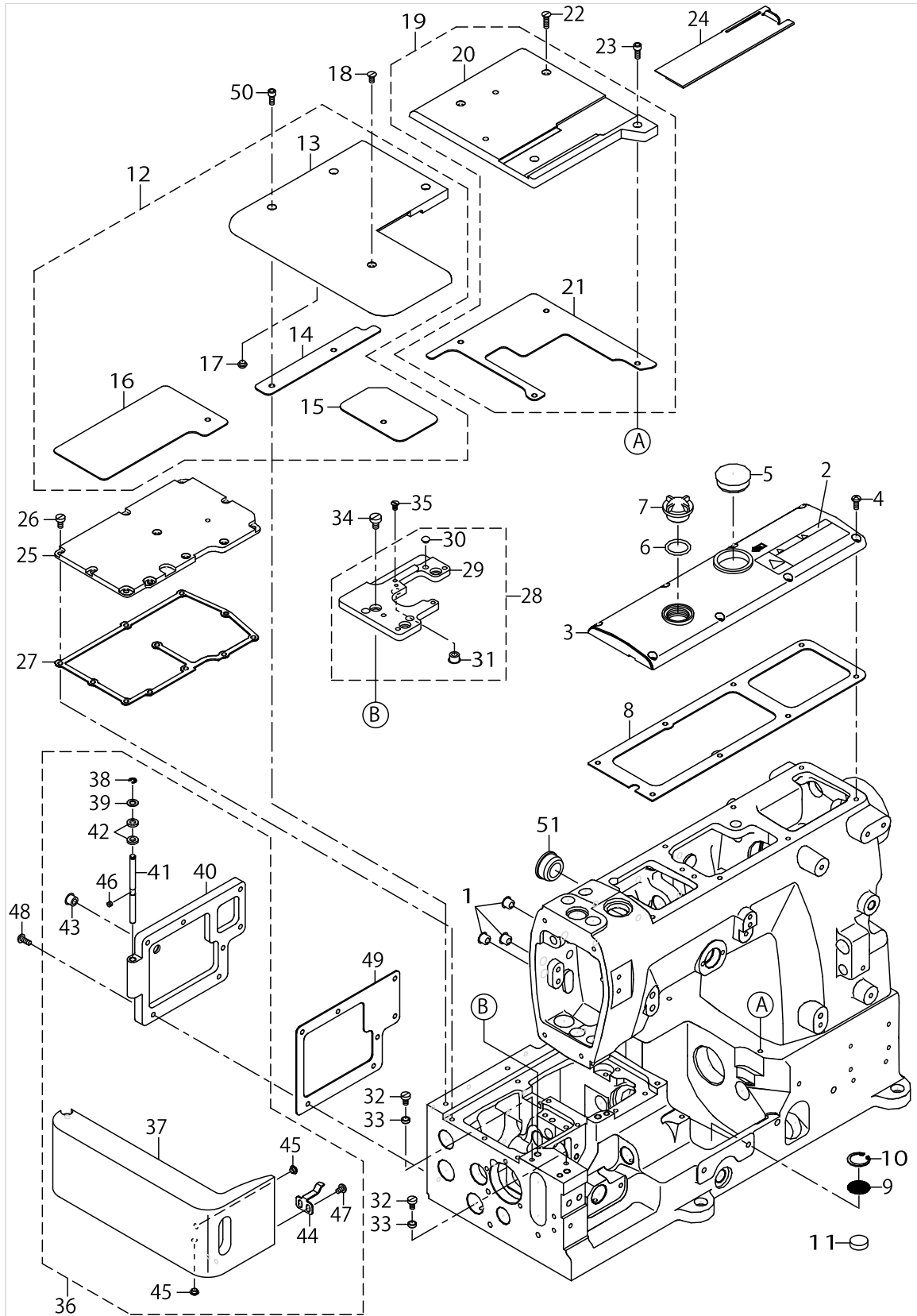
FRAME & MISCELLANEOUS COVER COMPONENTS (2)



FRAME & MISCELLANEOUS COVER COMPONENTS (2)

| No. | Parts No. | Parts name | Remarks | Level | Cons | Qty |
|-----|-------------|--------------------------|---------|-------|------|-----|
| 1 | TA0850604R0 | RUBBER PLUG | | | | 3 |
| 2 | CM3002001B1 | SAFETY LABEL 12 | | | | 1 |
| 3 | 13300702 | TOP COVER | | | | 1 |
| 4 | SM4041055SP | SCREW | | | | 8 |
| 5 | 10753309 | WINDOW PLATE RUBBER PLUG | | | | 1 |
| 6 | RO195240100 | RUBBER RING | | | | 1 |
| 7 | 22924708 | OIL SIGHT WINDOW | | | | 1 |
| 8 | 13300801 | GASKET T | | | | 1 |
| 9 | 13426903 | MESH PLATE | | | | 1 |
| 10 | RC1900002KP | RETAIN IG-PIN | | | | 1 |
| 11 | 40018946 | FILTER | | | | 1 |
| 12 | 13303656 | ASSY_CLOTH_PLATE_LEFT | | | | 1 |
| 13 | 13303607 | CLOTH PLATE LEFT | | * | | 1 |
| 14 | 13304803 | GASKET_CPL | | * | | 1 |
| 15 | 13304902 | GASKET_TPS | | * | | 1 |
| 16 | 13305008 | GASKET_BTC | | * | | 1 |
| 17 | 13302302 | RUBBER BUMPER | | * | | 2 |
| 18 | SM1040800SP | SCREW | | | | 1 |
| 19 | 13303755 | ASSY_CLOTH_PLATE_RIGHT | | | | 1 |
| 20 | 13303706 | CLOTH PLATE RIGHT | | * | | 1 |
| 21 | 13304704 | GASKET_CPR | | * | | 1 |
| 22 | SM1041400SP | SCREW | | | | 2 |
| 23 | SM6041002TP | SCREW M4 L=10 | | | | 2 |
| 24 | 13303805 | SLIDE COVER | | | | 1 |
| 25 | 13303102 | BED TOP COVER | | | | 1 |
| 26 | SM6040800SP | SCREW | | | | 11 |
| 27 | 13303201 | GASKET B | | | | 1 |
| 28 | 13303052 | ASSY_TP_SUPPORT | | | | 1 |
| 29 | 13303003 | THROAT PLATE SUPPORT | | * | | 1 |
| 30 | 13302302 | RUBBER BUMPER | | * | | 1 |
| 31 | TA0850604R0 | RUBBER PLUG | | * | | 1 |
| 32 | SM6040750TP | SCREW M4 L=7 | | | | 2 |
| 33 | 40082196 | ADJUSTING_COLLAR | | | | 2 |
| 34 | SM6050800SP | SCREW M5 L=8 | | | | 3 |
| 35 | 13302203 | SCREW | | | | 2 |
| 36 | 13304159 | SIDE_COVER_ASSY | | | | 1 |
| 37 | 13304100 | SIDE COVER | | * | | 1 |
| 38 | RE0300000K0 | E-RING 3 | | * | | 1 |
| 39 | WP0550800SP | WASHER 5.5X10X0.8 | | * | | 1 |
| 40 | 13303904 | FEED CHAMBER COVER | | * | | 1 |
| 41 | 13305107 | PIN_FOR_SIDE_COVER | | * | | 1 |
| 42 | 13302708 | RUBBER_WASHER | | * | | 2 |
| 43 | TA0850604R0 | RUBBER PLUG | | * | | 1 |
| 44 | 13304308 | LATCH SPRING | | * | | 1 |
| 45 | 13302302 | RUBBER BUMPER | | * | | 2 |
| 46 | SM8040360TP | SCREW | | * | | 1 |
| 47 | SM4040655SP | SCREW M4 L=6 | | * | | 2 |

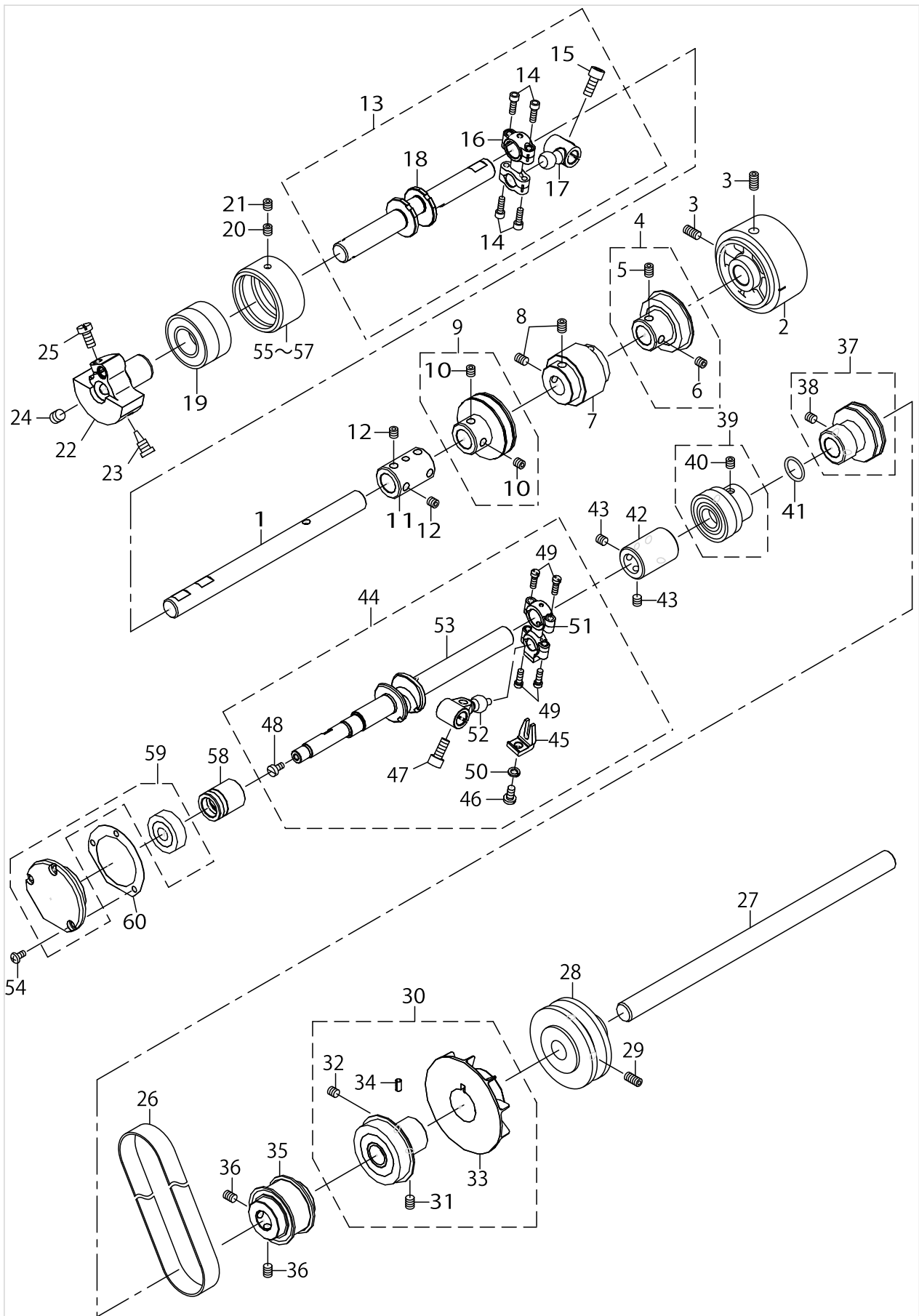
FRAME & MISCELLANEOUS COVER COMPONENTS (2)



FRAME & MISCELLANEOUS COVER COMPONENTS (2)

| No. | Parts No. | Parts name | Remarks | Level | Cons | Qty |
|-----|-------------|---------------|---------|-------|------|-----|
| 48 | SM4041055SP | SCREW | | | | 7 |
| 49 | 13304001 | GASKET F | | | | 1 |
| 50 | SM6041002TP | SCREW M4 L=10 | | | | 3 |
| 51 | TA2351004R0 | RUBBER PLUG | | | | 1 |

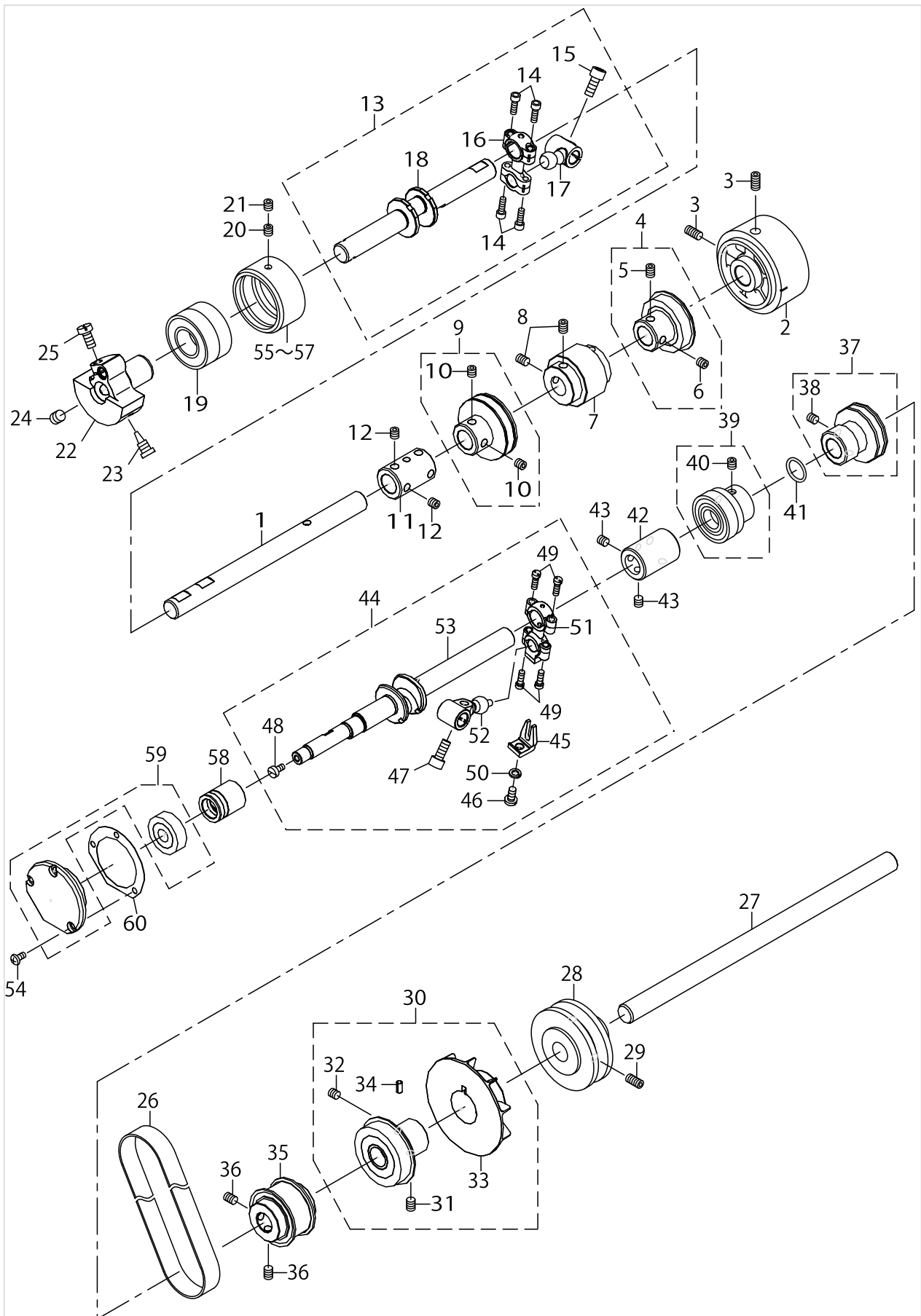
MAIN SHAFT COMPONENTS



MAIN SHAFT COMPONENTS

| No. | Parts No. | Parts name | Remarks | Level | Cons | Qty |
|-----|-------------|-------------------------|---------|-------|------|-----|
| 1 | 13307004 | UPPER MAINSHAFT RIGHT | | | | 1 |
| 2 | 13307103 | UPPER PULLEY | | | | 1 |
| 3 | SM8061212TP | SCREW M6X12 | | | | 2 |
| 4 | 13307251 | BEARING ASSY A | | | | 1 |
| 5 | SM8060842TP | SCREW M6 L=8 | | * | | 1 |
| 6 | SM8060612TP | SCREW M6 L=6 | | * | | 1 |
| 7 | 13307301 | UMS_SPROCKET | | | | 1 |
| 8 | SM8060812TP | SCREW M6 L=8 | | | | 4 |
| 9 | 13307459 | BEARING ASSY B | | | | 1 |
| 10 | SM8060612TP | SCREW M6 L=6 | | * | | 2 |
| 11 | 13307509 | JOINT | | | | 1 |
| 12 | SM8060612TP | SCREW M6 L=6 | | | | 4 |
| 13 | 13307657 | UMS_LEFT_ROD_ASSY | | | | 1 |
| 14 | SM6041202TP | SCREW M4X0.7 L=12 | | * | | 4 |
| 15 | SM6061402TP | SCREW M6 L=14 | | * | | 1 |
| 16 | 13324009 | ROD | | * | | 1 |
| 17 | 13324207 | CRANK | | * | | 1 |
| 18 | 13307608 | UPPER MAINSHAFT LEFT | | * | | 1 |
| 19 | SB120001900 | BEARING | | | | 2 |
| 20 | SM8060842TP | SCREW M6 L=8 | | | | 1 |
| 21 | SM8060612TP | SCREW M6 L=6 | | | | 1 |
| 22 | 13307707 | COUNTER WEIGHT | | | | 1 |
| 23 | 13309208 | SCREW_FOR_COUNTERWEIGHT | | | | 1 |
| 24 | SM8080812TP | SCREW M8X8 | | | | 1 |
| 25 | SM6061200SP | SCREW | | | | 1 |
| 26 | 13308804 | TIMING_BELT | | | | 1 |
| 27 | 13307905 | LOWER MAINSHAFT RIGHT | | | | 1 |
| 28 | 13308002 | LOWER PULLEY | | | | 1 |
| 29 | SM8061212TP | SCREW M6X12 | | | | 2 |
| 30 | 13309158 | BEARING_ASSY_F | | | | 1 |
| 31 | SM8060842TP | SCREW M6 L=8 | | * | | 1 |
| 32 | SM8060612TP | SCREW M6 L=6 | | * | | 1 |
| 33 | 13309000 | LMS_FAN | | * | | 1 |
| 34 | PS0400082KP | SPRING PIN | | * | | 1 |
| 35 | 13308309 | LMS_SPROCKET | | | | 1 |
| 36 | SM8060812TP | SCREW M6 L=8 | | | | 4 |
| 37 | 13308556 | BEARING_ASSY_D | | | | 1 |
| 38 | SM8060612TP | SCREW M6 L=6 | | * | | 2 |
| 39 | 13308457 | BEARING_ASSY_C | | | | 1 |
| 40 | SM8060612TP | SCREW M6 L=6 | | * | | 2 |
| 41 | RO148240200 | RUBBER RING | | | | 1 |
| 42 | 13307509 | JOINT | | | | 1 |
| 43 | SM8060612TP | SCREW M6 L=6 | | | | 4 |
| 44 | 13308150 | LMS_LEFT_ASSY | | | | 1 |
| 45 | 13337100 | GUIDE LOOPER ROD | | * | | 1 |
| 46 | SM4051055SP | SCREW | | * | | 1 |
| 47 | SM6061402TP | SCREW M6 L=14 | | * | | 1 |

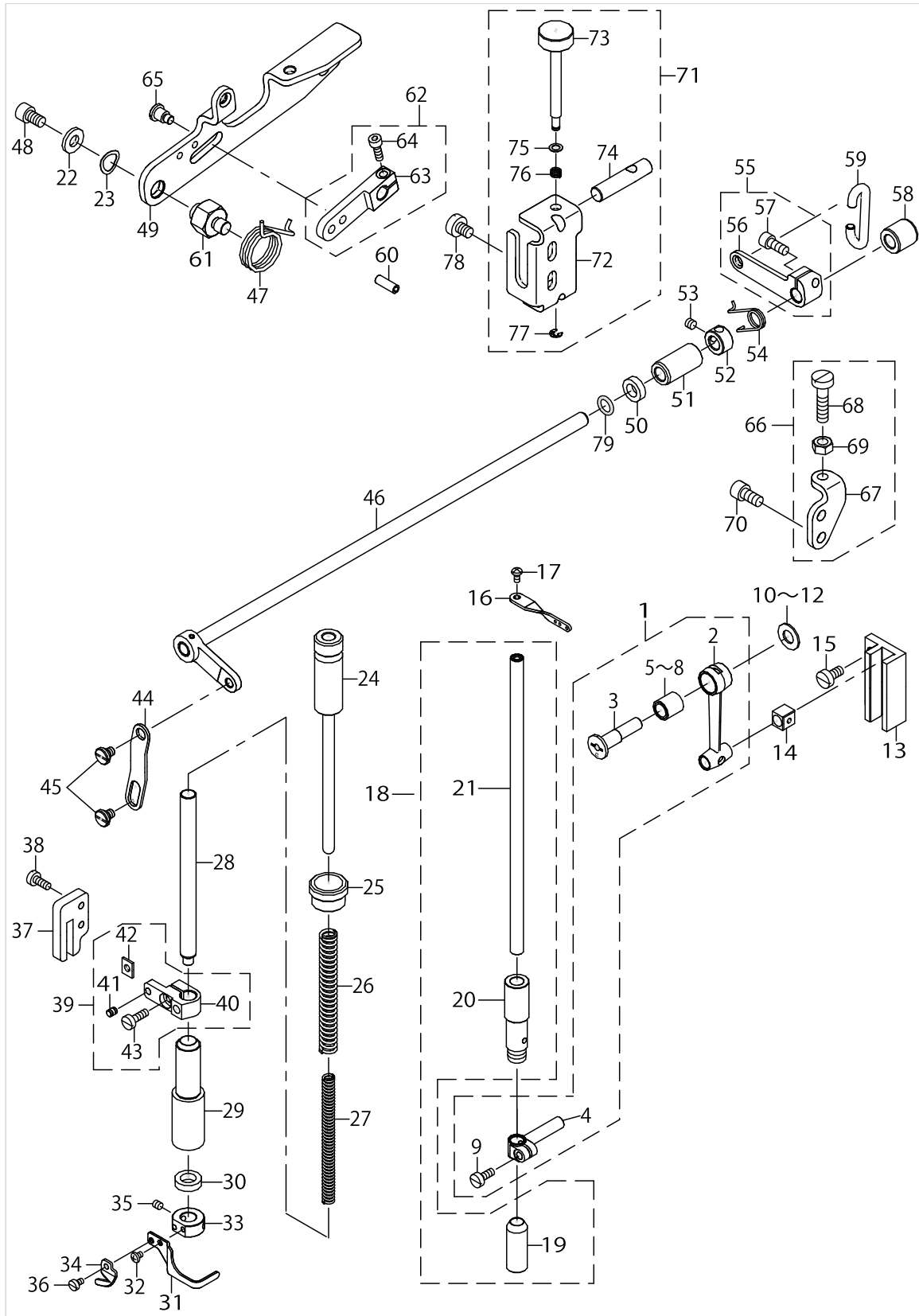
MAIN SHAFT COMPONENTS



MAIN SHAFT COMPONENTS

| No. | Parts No. | Parts name | Remarks | Level | Cons | Qty |
|-----|-------------|---------------------------|-----------------|-------|------|-----|
| 48 | SM6040800SP | SCREW | | * | | 1 |
| 49 | 13324108 | SCREW | | * | | 4 |
| 50 | WS0510002KP | SPRING WASHER 5.1X9.2X1.3 | | * | | 1 |
| 51 | 13337001 | LOOPER ROD DRIVE | | * | | 1 |
| 52 | 13337209 | LOOPER DRIVE | | * | | 1 |
| 53 | 13308101 | LOWER MAINSHAFT LEFT | | * | | 1 |
| 54 | SM4040855SP | SCREW | | | | 3 |
| 55 | 13307806 | HOUSING A | SELECTIVE PARTS | | | 1 |
| 56 | 13309307 | HOUSING B | SELECTIVE PARTS | | | 1 |
| 57 | 13309406 | HOUSING C | SELECTIVE PARTS | | | 1 |
| 58 | 13308200 | BUSHING LMS MIDDLE | | | | 1 |
| 59 | 13308655 | BUSHING_LMS_LEFT_ASSY | | | | 1 |
| 60 | 13308705 | GASKET FOR BUSHING LEFT | | | | 1 |

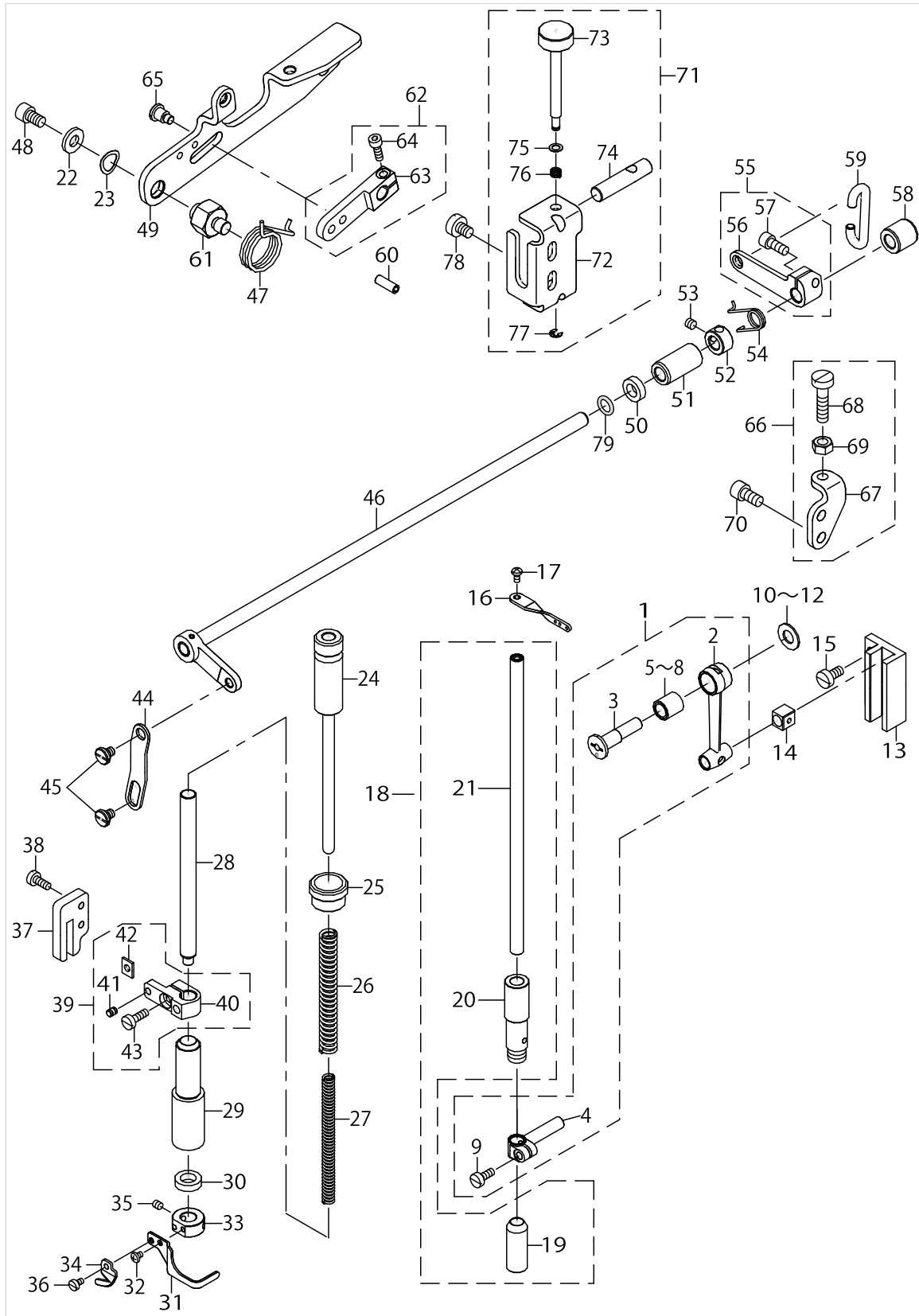
NEEDLE BAR & PRESSER COMPONENTS



NEEDLE BAR & PRESSER COMPONENTS

| No. | Parts No. | Parts name | Remarks | Level | Cons | Qty |
|-----|-------------|----------------------|-----------------|-------|------|-----|
| 1 | 13311253 | ASSY_NEEDLE_MECH | | | | 1 |
| 2 | 13311204 | CONNECTING ROD | | * | | 1 |
| 3 | 13311006 | ECCENTRIC PIN | | * | | 1 |
| 4 | 13311303 | NEEDLE BAR CLAMP | | * | | 1 |
| 5 | SB30800110A | BEARING | SELECTIVE PARTS | * | | 1 |
| 6 | SB30800110B | BEARING | SELECTIVE PARTS | * | | 1 |
| 7 | SB30800110C | BEARING | SELECTIVE PARTS | * | | 1 |
| 8 | SB30800110D | BEARING | SELECTIVE PARTS | * | | 1 |
| 9 | SM6041000SP | SCREW M4 L=10 | | * | | 1 |
| 10 | 13312103 | THRUST_WASHER | SELECTIVE PARTS | | | 1 |
| 11 | 13312202 | THRUST_WASHER | SELECTIVE PARTS | | | 1 |
| 12 | 13312301 | THRUST_WASHER | SELECTIVE PARTS | | | 1 |
| 13 | 13311600 | NEEDLE BAR GUIDE | | | | 1 |
| 14 | 13311501 | SLIDE BLOCK | | | | 1 |
| 15 | SM6051000SP | SCREW | | | | 3 |
| 16 | 13326806 | NEEDLE BAR EYELET | | | | 1 |
| 17 | SM4030655SP | SCREW | | | | 1 |
| 18 | 13311956 | ASSY_BUSHING_NB | | | | 1 |
| 19 | 13311907 | BUSHING NB LOWER | | * | | 1 |
| 20 | 13311808 | BUSHING NB UPPER | | * | | 1 |
| 21 | 13311451 | NEEDLE BAR ASSY | | * | | 1 |
| 22 | WP0702026SP | WASHER 7X15X2 | | | | 1 |
| 23 | WZ1052010KP | WAVED WASHER | | | | 1 |
| 24 | 40070573 | ADJ_SCREW_P_B_ASSY | | | | 1 |
| 25 | 13313101 | LOCKING NUT | | | | 1 |
| 26 | 13313309 | SPRING PRESSER BAR A | | | | 1 |
| 27 | 13313408 | SPRING PRESSER BAR B | | | | 1 |
| 28 | 40070559 | PRESSER_BAR | | | | 1 |
| 29 | 13313705 | BUSHING PRESSER BAR | | | | 1 |
| 30 | 13315908 | OIL SEAL | | | | 1 |
| 31 | 40018259 | FINGER_GUARD | | | | 1 |
| 32 | SM4030455SP | SCREW | | | | 1 |
| 33 | 13313606 | COLLAR | | | | 1 |
| 34 | 13316302 | THREAD_TRIMMER | | | | 1 |
| 35 | SM8040412TP | SET SCREW M4 L=4 | | | | 2 |
| 36 | SM6030500SN | SCREW M3 L=5 | | | | 1 |
| 37 | 13313804 | GUIDE PLATE | | | | 1 |
| 38 | SM6041000SP | SCREW M4 L=10 | | | | 2 |
| 39 | 13313952 | P_B_BRACKET_ASSY | | | | 1 |
| 40 | 13313903 | PRESSER BAR BRACKET | | * | | 1 |
| 41 | 13316203 | P_B_BRACKET_PIN | | * | | 1 |
| 42 | 13333208 | WASHER | | * | | 1 |
| 43 | SM6041200SP | SCREW M4 L=12 | | * | | 1 |
| 44 | 13314109 | LINK | | | | 1 |
| 45 | SD0700206TP | SHOULDER SCREW | | | | 2 |
| 46 | 13314356 | ASSY LIFTER SHAFT | | | | 1 |
| 47 | 13315205 | SPRING LIFTER LEVER | | | | 1 |

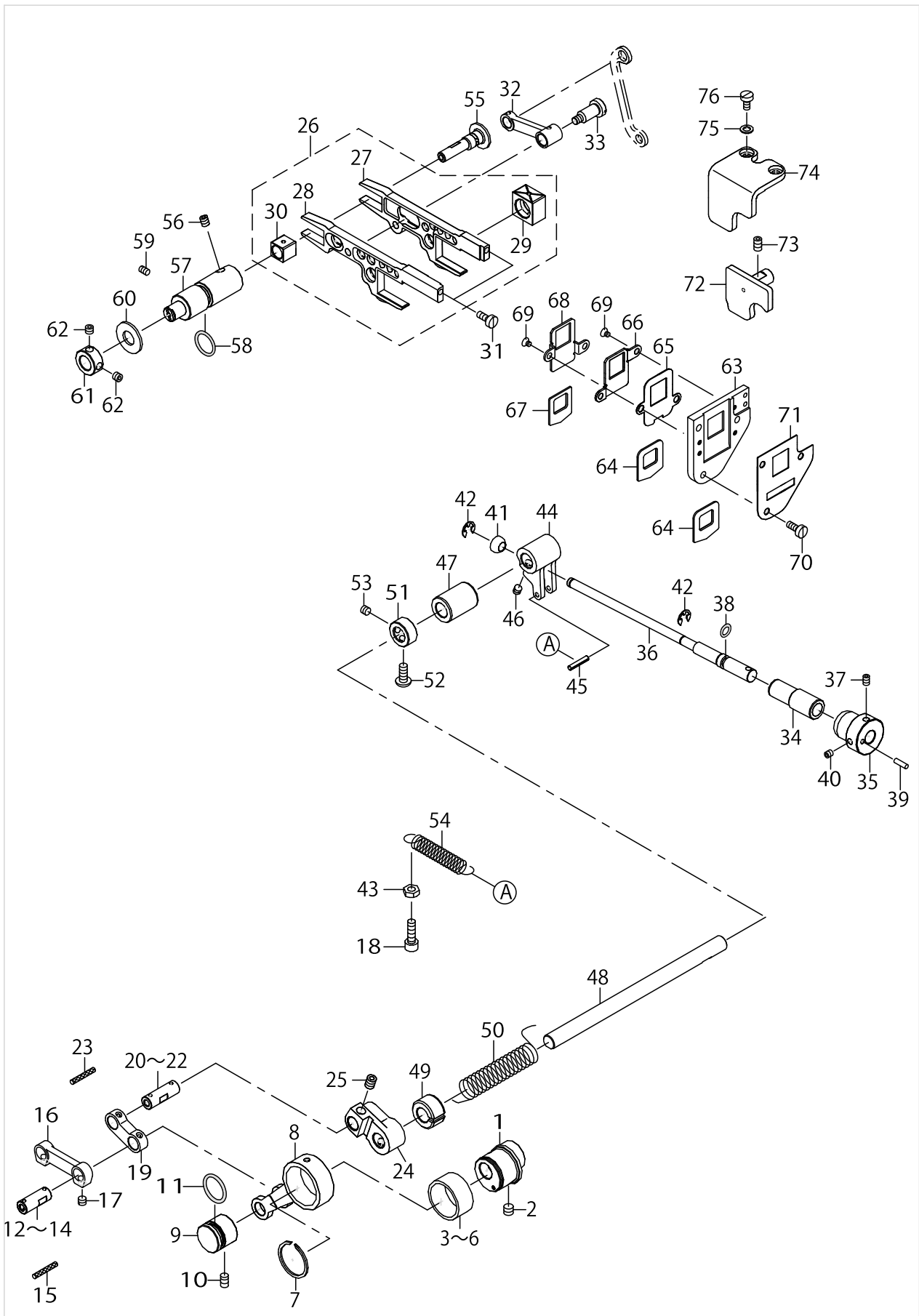
NEEDLE BAR & PRESSER COMPONENTS



NEEDLE BAR & PRESSER COMPONENTS

| No. | Parts No. | Parts name | Remarks | Level | Cons | Qty |
|-----|-------------|-------------------------|---------|-------|------|-----|
| 48 | SM6061002TP | SCREW M6 L=10 | | | | 1 |
| 49 | 13315007 | LIFTER LEVER | | | | 1 |
| 50 | 23537202 | HOOK SHAFT OIL SEAL | | | | 1 |
| 51 | 13314406 | BUSHING LIFTER FRONT | | | | 1 |
| 52 | CS0800881TP | THRUST COLLAR | | | | 1 |
| 53 | SM8050412TP | SCREW M5 L=4 | | | | 2 |
| 54 | 13314802 | SPRING PF LIFT | | | | 1 |
| 55 | 13314752 | LIFTER_SHAFT_LEVER_ASSY | | | | 1 |
| 56 | 13314703 | LIFTER SHAFT LEVER | | * | | 1 |
| 57 | SM6051202TP | SCREW M5X0.8 L=12 | | * | | 1 |
| 58 | 13314505 | BUSHING LIFTER REAR | | | | 1 |
| 59 | 13314901 | LIFTER HOOK | | | | 1 |
| 60 | PS0500142KP | SPRING PIN | | | | 1 |
| 61 | 13315106 | LIFTER LEVER HOLDER | | | | 1 |
| 62 | 13315353 | TENS_RELEASE_LEVER_ASSY | | | | 1 |
| 63 | 13315304 | TENSION RELEASE LEVER | | * | | 1 |
| 64 | SM6041202TP | SCREW M4X0.7 L=12 | | * | | 1 |
| 65 | SD0700586TP | SHOULDER SCREW | | | | 1 |
| 66 | 13315551 | STOPPER_ASSY | | | | 1 |
| 67 | 13315502 | LIFTER LEVER STOPPER | | * | | 1 |
| 68 | SM6062550TP | SCREW M6 L=25 | | * | | 1 |
| 69 | NM6060001CP | NUT M6 | | * | | 1 |
| 70 | SM6061202TP | SCREW M6 L=12 | | | | 2 |
| 71 | 13315650 | MINUTE_LIFTING_ASSY | | | | 1 |
| 72 | 13315601 | BRACKET | | * | | 1 |
| 73 | 13315700 | SCREW | | * | | 1 |
| 74 | 13315809 | SLIDER | | * | | 1 |
| 75 | WP0460556SD | WASHER 4.6X7.5X0.5 | | * | | 1 |
| 76 | 13123302 | ADJUSTING SPRING | | * | | 1 |
| 77 | RE0300000K0 | E-RING 3 | | * | | 1 |
| 78 | SM6060800SP | SCREW M6 L=8 | | | | 2 |
| 79 | RO074240100 | RUBBER RING | | | | 1 |

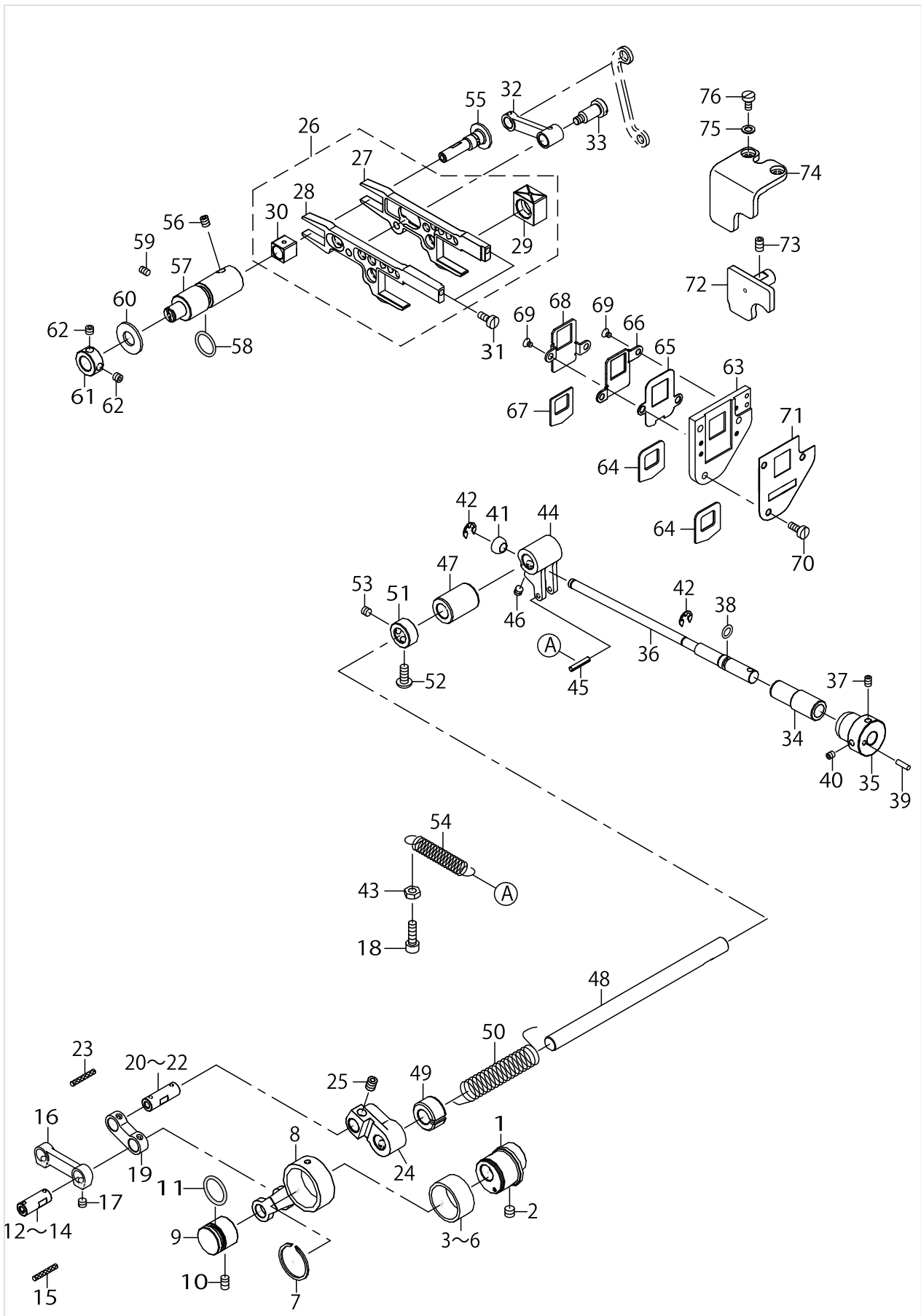
FEED DRIVE COMPONENTS (1)



FEED DRIVE COMPONENTS (1)

| No. | Parts No. | Parts name | Remarks | Level | Cons | Qty |
|-----|-------------|----------------------|-----------------|-------|------|------|
| 1 | 13317003 | FEED ECCENTRIC | | | | 1 |
| 2 | SM8060552TP | SCREW M6 L=5 | | | | 2 |
| 3 | B1426180A00 | NEEDLE BEARING (A) | SELECTIVE PARTS | | | 1 |
| 4 | B1426180B00 | NEEDLE BEARING (B) | SELECTIVE PARTS | | | 1 |
| 5 | B1426180C00 | NEEDLE BEARING (C) | SELECTIVE PARTS | | | 1 |
| 6 | B1426180D00 | NEEDLE BEARING (D) | SELECTIVE PARTS | | | 1 |
| 7 | RC2251213KP | C-RING | | | | 1 |
| 8 | 13317102 | CRANK_ROD | | | | 1 |
| 9 | 13323803 | CRANK ROD GUIDE | | | | 1 |
| 10 | SM8050812TP | SCREW M5X8 | | | | 1 |
| 11 | RO158240100 | O-RING | | | | 1 |
| 12 | 13323308 | FEED_ADJ_LINK_PIN_A | SELECTIVE PARTS | | | 1 |
| 13 | 13323407 | FEED_ADJ_LINK_PIN_B | SELECTIVE PARTS | | | 1 |
| 14 | 13323506 | FEED_ADJ_LINK_PIN_C | SELECTIVE PARTS | | | 1 |
| 15 | CQ303000000 | OIL WICK | | | | 0.07 |
| 16 | 13317201 | MAIN FEED DRIVE LINK | | | | 1 |
| 17 | SM8050412TP | SCREW M5 L=4 | | | | 2 |
| 18 | SM6051602TP | SCREW M5X0.8 L=16 | | | | 1 |
| 19 | 13317300 | ADJUST LINK | | | | 1 |
| 20 | 13317409 | FEED ADJ LINK PIN A | SELECTIVE PARTS | | | 1 |
| 21 | 13317508 | FEED ADJ LINK PIN B | SELECTIVE PARTS | | | 1 |
| 22 | 13317607 | FEED ADJ LINK PIN C | SELECTIVE PARTS | | | 1 |
| 23 | CQ303000000 | OIL WICK | | | | 0.08 |
| 24 | 13317706 | MAIN FEED ADJ LEVER | | | | 1 |
| 25 | SM8060552TP | SCREW M6 L=5 | | | | 2 |
| 26 | 13321658 | FEED_BAR_ASSY | | | | 1 |
| 27 | 13321609 | MAIN FEED BAR | | * | | 1 |
| 28 | 13321708 | DIFF FEED BAR | | * | | 1 |
| 29 | 13321401 | SLIDE BLOCK | | * | | 1 |
| 30 | 13322409 | SLIDE BLOCK | | * | | 1 |
| 31 | SM6041000SP | SCREW M4 L=10 | | | | 2 |
| 32 | 13319702 | DIFF FEED LINK | | | | 1 |
| 33 | SD0801326TH | SHOULDER SCREW | | | | 1 |
| 34 | 13318209 | BUSHING FEED ADJUST | | | | 1 |
| 35 | 13318001 | KNOB FEED ADJUST | | | | 1 |
| 36 | 13318100 | SHAFT FEED ADJUST | | | | 1 |
| 37 | SM8040602TP | SCREW M4X0.7 L=6 | | | | 1 |
| 38 | RO055200100 | RUBBER RING | | | | 1 |
| 39 | B3215470000 | PIN | | | | 1 |
| 40 | SM8040412TP | SET SCREW M4 L=4 | | | | 1 |
| 41 | 13318308 | STOPPER FEED ADJUST | | | | 1 |
| 42 | RE0500000K0 | E-RING | | | | 2 |
| 43 | NM6050001SP | NUT M5 | | | | 1 |
| 44 | 13317904 | FEED ADJUST LEVER | | | | 1 |
| 45 | PS0300162KH | SPRING PIN 3X16 | | | | 1 |
| 46 | SM8050412TP | SCREW M5 L=4 | | | | 1 |
| 47 | 13323100 | BUSHING_FEED_ADJ | | | | 1 |

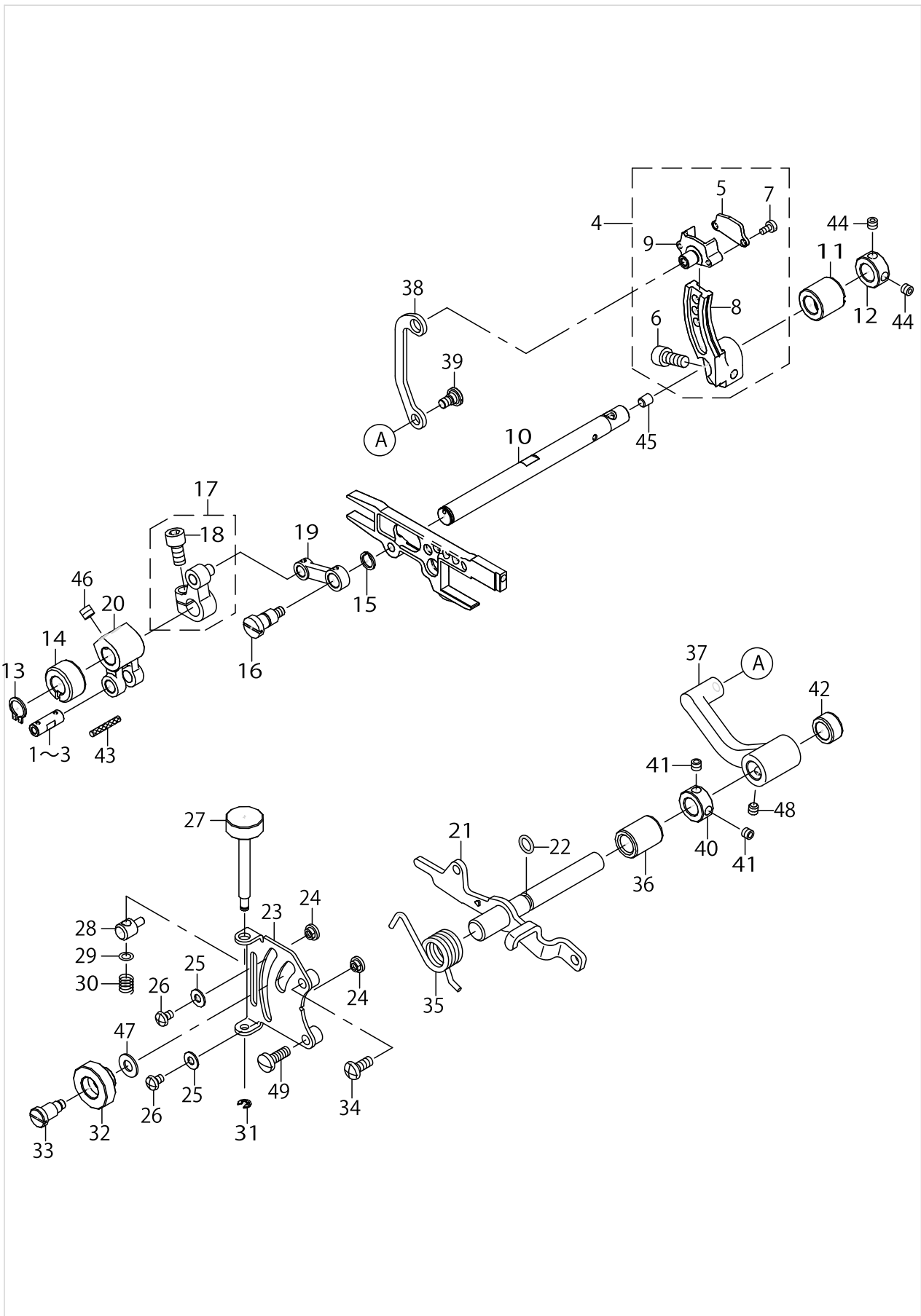
FEED DRIVE COMPONENTS (1)



FEED DRIVE COMPONENTS (1)

| No. | Parts No. | Parts name | Remarks | Level | Cons | Qty |
|-----|-------------|-----------------------|---------|-------|------|-----|
| 48 | 13317805 | FEED ADJUST SHAFT | | | | 1 |
| 49 | 13319108 | BUSHING FEED FRONT | | | | 1 |
| 50 | 13318506 | TORSIN SPRING | | | | 1 |
| 51 | CS1000881TP | THRUST COLLAR | | | | 1 |
| 52 | SM4051255SP | SCREW.,M5 L=12. | | | | 1 |
| 53 | SM8050412TP | SCREW M5 L=4 | | | | 1 |
| 54 | B2556280000 | SPRING | | | | 1 |
| 55 | 13322201 | ECCENTRIC PIN | | | | 1 |
| 56 | SM8060552TP | SCREW M6 L=5 | | | | 1 |
| 57 | 13322003 | FEED BAR SHAFT | | | | 1 |
| 58 | RO137230100 | RUBBER RING | | | | 1 |
| 59 | SM8040612TP | SCREW M4 L=6 | | | | 1 |
| 60 | 13322102 | WASHER FEED BAR SHAFT | | | | 1 |
| 61 | CS1000881TP | THRUST COLLAR | | | | 1 |
| 62 | SM8050412TP | SCREW M5 L=4 | | | | 2 |
| 63 | 13322508 | FEED BAR SEAL CASE | | | | 1 |
| 64 | 13322607 | FEED BAR SEAL 1 | | | | 2 |
| 65 | 13322706 | FEED BAR SEAL PLATE 1 | | | | 1 |
| 66 | 13322805 | FEED BAR SEAL PLATE 2 | | | | 1 |
| 67 | 13323001 | FEED BAR SEAL 2 | | | | 1 |
| 68 | 13322904 | FEED BAR SEAL PLATE 3 | | | | 1 |
| 69 | SM1030400SP | SCREW M3 L=4 | | | | 4 |
| 70 | SM6041000SP | SCREW M4 L=10 | | | | 3 |
| 71 | 13323605 | DUST PROOF PLATE | | | | 1 |
| 72 | 13321807 | FEED BAR GUIDE 1 | | | | 1 |
| 73 | SM8050812TP | SCREW M5X8 | | | | 1 |
| 74 | 13321906 | FEED BAR GUIDE 2 | | | | 1 |
| 75 | WP0480856SP | WASHER 4.8X8.4X0.8 | | | | 2 |
| 76 | SM6040800SP | SCREW | | | | 2 |

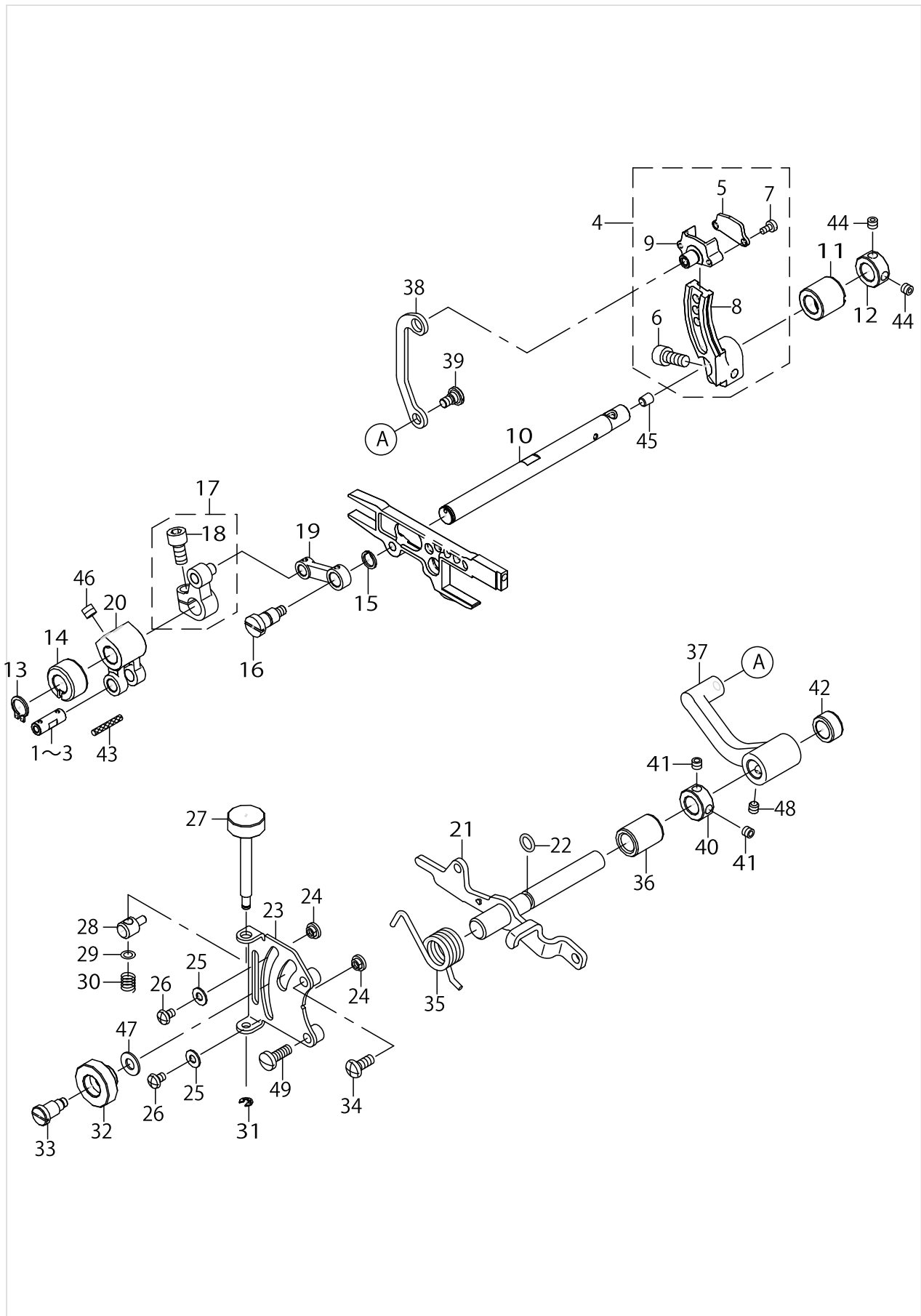
FEED DRIVE COMPONENTS (2)



FEED DRIVE COMPONENTS (2)

| No. | Parts No. | Parts name | Remarks | Level | Cons | Qty |
|-----|-------------|-------------------------------|-----------------|-------|------|------|
| 1 | 13318704 | MAIN FEED CRANK PIN A | SELECTIVE PARTS | | | 1 |
| 2 | 13318803 | MAIN FEED CRANK PIN B | SELECTIVE PARTS | | | 1 |
| 3 | 13318902 | MAIN FEED CRANK PIN C | SELECTIVE PARTS | | | 1 |
| 4 | 13319959 | DIFF_DRIVE_ARM_ASSY | | | | 1 |
| 5 | 13320106 | DIFF FEED PIN PLATE | | * | | 1 |
| 6 | SM6061402TP | SCREW M6 L=14 | | * | | 1 |
| 7 | SM6030600SP | SCREW M3X0.5 L=6 | | * | | 2 |
| 8 | 13319900 | DIFF DRIVE ARM | | * | | 1 |
| 9 | 13320007 | DIFF FEED PIN | | * | | 1 |
| 10 | 13319009 | ROCKER SHAFT | | | | 1 |
| 11 | 13319207 | BUSHING FEED REAR | | | | 1 |
| 12 | CS1000881TP | THRUST COLLAR | | | | 1 |
| 13 | RC0100001KP | SNAP RING M10 | | | | 1 |
| 14 | 13319108 | BUSHING FEED FRONT | | | | 1 |
| 15 | RC0741013KP | C-RING | | | | 1 |
| 16 | 13398409 | SHOULDER SCREW | | | | 1 |
| 17 | 13319355 | MAIN_FEED_ROCKER_ASSY | | | | 1 |
| 18 | SM6061202TP | SCREW M6 L=12 | | * | | 1 |
| 19 | 13319504 | MAIN FEED LINK | | | | 1 |
| 20 | 13318605 | MAIN FEED CRANK | | | | 1 |
| 21 | 40040206 | DIFF_FEED_LEVER_ASSY | | | | 1 |
| 22 | RO068190100 | RUBBER RING | | | | 1 |
| 23 | 40039630 | PLATE_DIFF_FEED_LEVER | | | | 1 |
| 24 | 13321203 | STOPPER DIFF ADJ | | | | 2 |
| 25 | WP0450826SC | WASHER 4.5X10X0.8 | | | | 2 |
| 26 | SM5040655SN | SCREW | | | | 2 |
| 27 | 40040207 | SCREW | | | | 1 |
| 28 | 13217708 | DIFFERENTIAL FEED BLOCK | | | | 1 |
| 29 | WP0460556SD | WASHER 4.6X7.5X0.5 | | | | 1 |
| 30 | 13123302 | ADJUSTING SPRING | | | | 1 |
| 31 | RE0300000K0 | E-RING 3 | | | | 1 |
| 32 | 13217500 | DIFFERENTIAL FEED LOCK NUT | | | | 1 |
| 33 | 13217401 | DIFFERENTIAL FEED HINGE SCREW | | | | 1 |
| 34 | SM4051255SP | SCREW.,M5 L=12 | | | | 1 |
| 35 | 13121603 | ADJUSTING LEVER SPRING | | | | 1 |
| 36 | 13320304 | BUSHING DIFF ADJ LEVER | | | | 1 |
| 37 | 13320403 | DIFF ADJ LEVER | | | | 1 |
| 38 | 40018443 | DIFF_ADJ_LINK | | | | 1 |
| 39 | 31013808 | HINGE SCREW | | | | 1 |
| 40 | CS1000881TP | THRUST COLLAR | | | | 1 |
| 41 | SM8050412TP | SCREW M5 L=4 | | | | 2 |
| 42 | 13323209 | BUSHING_DIFF_ADJ_LEVER | | | | 1 |
| 43 | CQ303000000 | OIL WICK | | | | 0.04 |
| 44 | SM8050412TP | SCREW M5 L=4 | | | | 2 |
| 45 | TA0500601M0 | PLUG D=5X5.4 L=6 | | | | 1 |
| 46 | SM8060552TP | SCREW M6 L=5 | | | | 2 |
| 47 | WP0621016SD | WASHER 6.2X13X1 | | | | 1 |

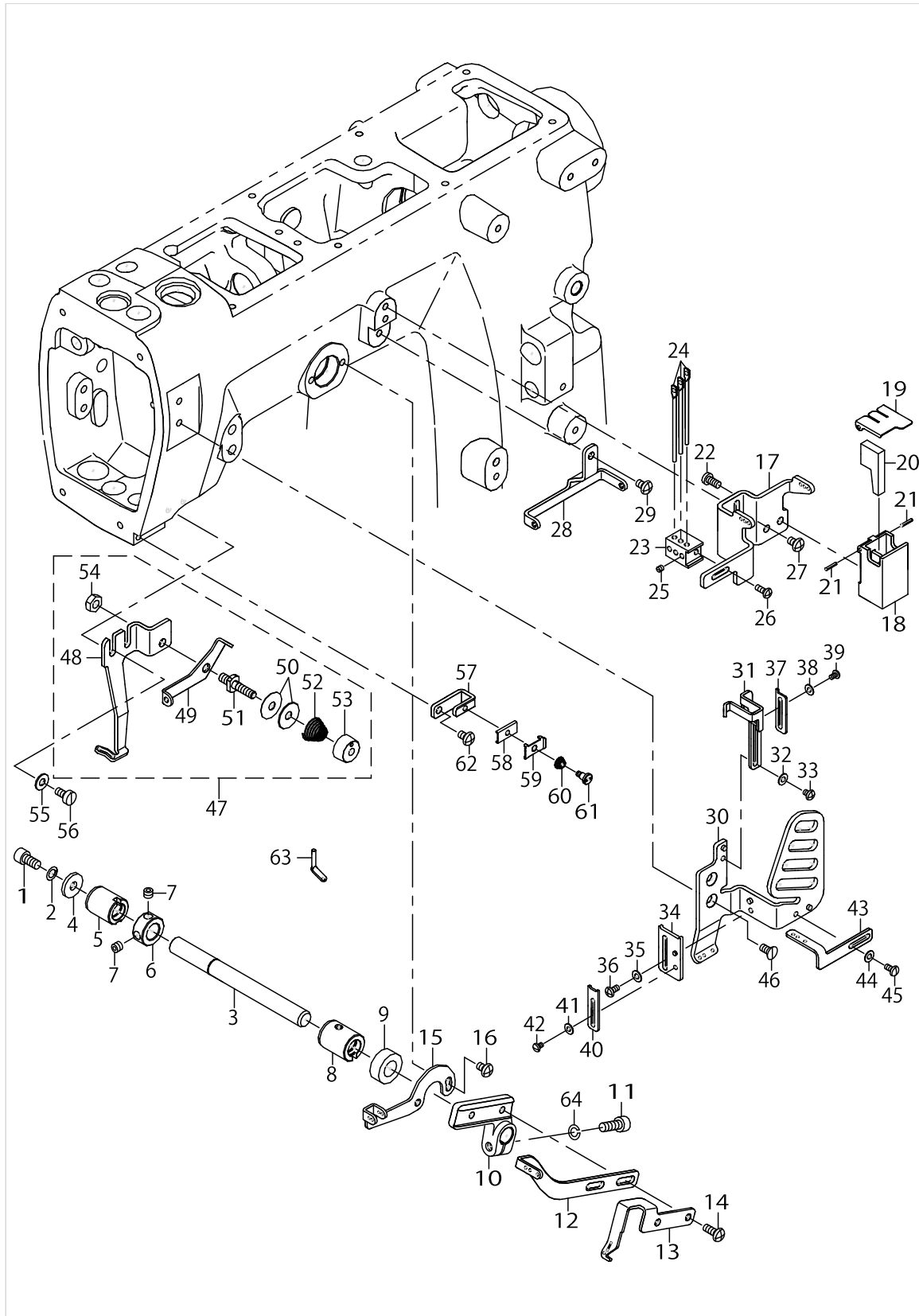
FEED DRIVE COMPONENTS (2)



FEED DRIVE COMPONENTS (2)

| No. | Parts No. | Parts name | Remarks | Level | Cons | Qty |
|-----|-------------|---------------|---------|-------|------|-----|
| 48 | SM8050412TP | SCREW M5 L=4 | | | | 1 |
| 49 | SM7051460TP | SCREW M5 L=14 | | | | 1 |

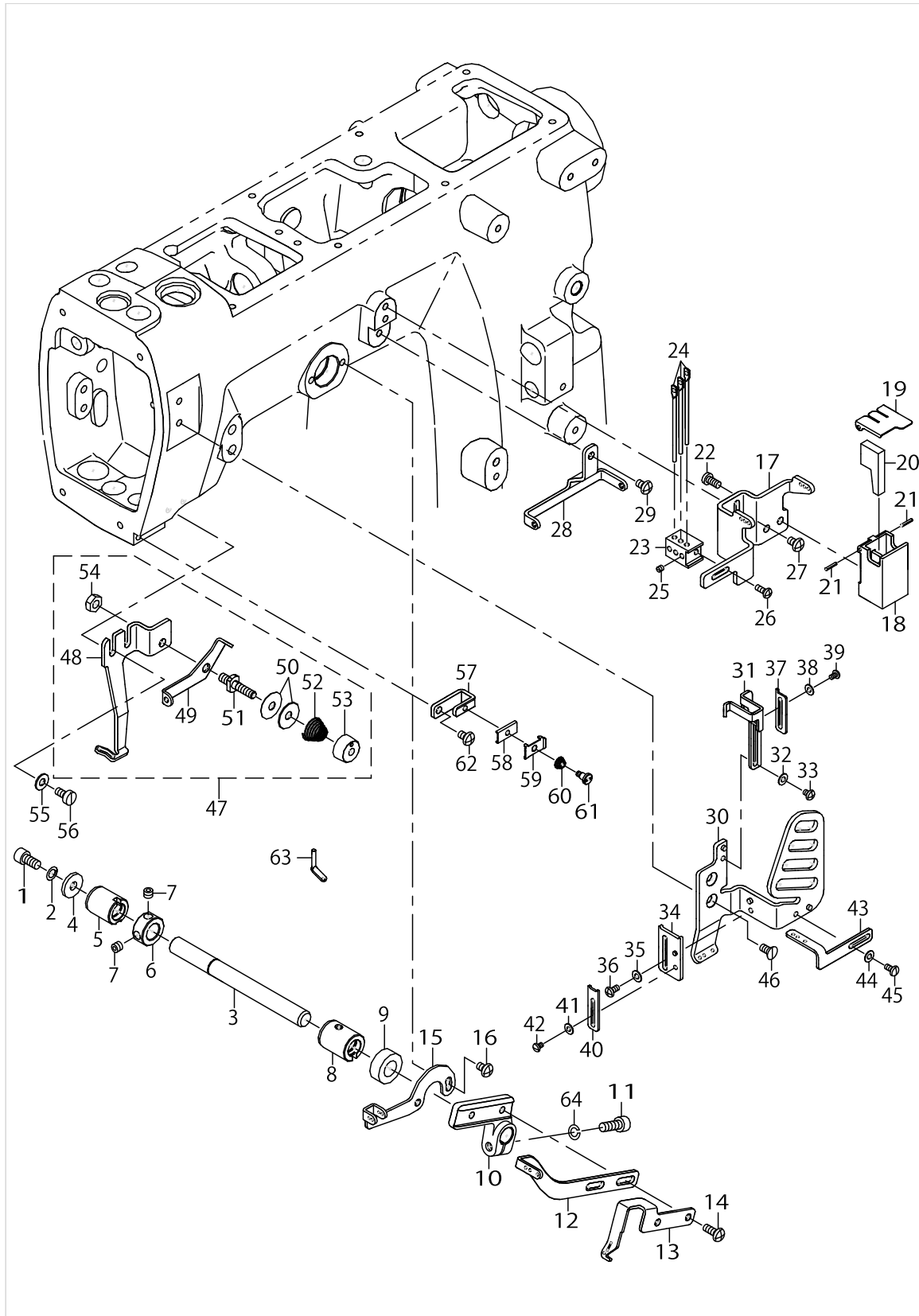
THREAD TAKE-UP LEVER COMPONENTS



THREAD TAKE-UP LEVER COMPONENTS

| No. | Parts No. | Parts name | Remarks | Level | Cons | Qty |
|-----|-------------|--------------------------------|---------|-------|------|-----|
| 1 | SM6051002TP | SCREW M5X0.8 L=10 | | | | 1 |
| 2 | WS0510002KP | SPRING WASHER 5.1X9.2X1.3 | | | | 1 |
| 3 | 13324306 | SHAFT | | | | 1 |
| 4 | WP0522016SH | WASHER | | | | 1 |
| 5 | 13324504 | BUSHING REAR | | | | 1 |
| 6 | CS1000881TP | THRUST COLLAR | | | | 1 |
| 7 | SM8050412TP | SCREW M5 L=4 | | | | 2 |
| 8 | 13324603 | BUSHING FRONT | | | | 1 |
| 9 | 23612609 | FEED CHANGING SHAFT OIL SEAL | | | | 1 |
| 10 | 13324702 | HOLDER TAKE UP EYELET | | | | 1 |
| 11 | SM6051402TP | SCREW M5X0.8 L=14 | | | | 1 |
| 12 | 13324801 | NDL THREAD TAKE UP | | | | 1 |
| 13 | 13324900 | UP LPR THREAD TAKE UP | | | | 1 |
| 14 | SM4041055SP | SCREW | | | | 2 |
| 15 | 13325006 | THREAD GUIDE | | | | 1 |
| 16 | SM4040655SP | SCREW M4 L=6 | | | | 2 |
| 17 | 13325105 | THREAD TENSION GUIDE | | | | 1 |
| 18 | 13348008 | TANK | | | | 1 |
| 19 | B9213850000 | SILICONE OIL TANK COVER, UPPER | | | | 1 |
| 20 | B9214850000 | HEAT REMOVING FELT | | | | 1 |
| 21 | PS0150082KH | SPRING PIN | | | | 2 |
| 22 | ST4040851SN | TAPPING SCREW M4X8 | | | | 2 |
| 23 | 13325204 | HOLDER | | | | 1 |
| 24 | 30391601 | NEEDLE THREAD EYELET | | | | 3 |
| 25 | SM8030312TP | SCREW M3 L=3 | | | | 3 |
| 26 | SM4030855SN | SCREW M3 L=8.0 | | | | 1 |
| 27 | SM4040655SP | SCREW M4 L=6 | | | | 2 |
| 28 | 13325402 | THREAD GUIDE | | | | 1 |
| 29 | SM4040655SP | SCREW M4 L=6 | | | | 1 |
| 30 | 13325501 | COVER | | | | 1 |
| 31 | 13325709 | NDL THD STRIKE OFF | | | | 1 |
| 32 | WP0320501SC | WASHER M3 | | | | 1 |
| 33 | SM4030455SP | SCREW | | | | 1 |
| 34 | 13325600 | THD STRIKE OFF PLATE | | | | 1 |
| 35 | WP0320501SC | WASHER M3 | | | | 1 |
| 36 | SM4030655SP | SCREW | | | | 1 |
| 37 | 13326905 | NDL THD STRIKE OFF R | | | | 1 |
| 38 | WP0280501SC | WASHER M2.6 | | | | 1 |
| 39 | SM4850455SP | SCREW | | | | 1 |
| 40 | 13327002 | THD STRIKE OFF PLATE R | | | | 1 |
| 41 | WP0280501SC | WASHER M2.6 | | | | 1 |
| 42 | SM4850455SP | SCREW | | | | 1 |
| 43 | 13327101 | THREAD_GUIDE | | | | 1 |
| 44 | WP0320501SC | WASHER M3 | | | | 1 |
| 45 | SM4030655SP | SCREW | | | | 1 |
| 46 | SM1040800SP | SCREW | | | | 2 |
| 47 | 13326350 | UP_LPR_TENSION_ASSY | | | | 1 |

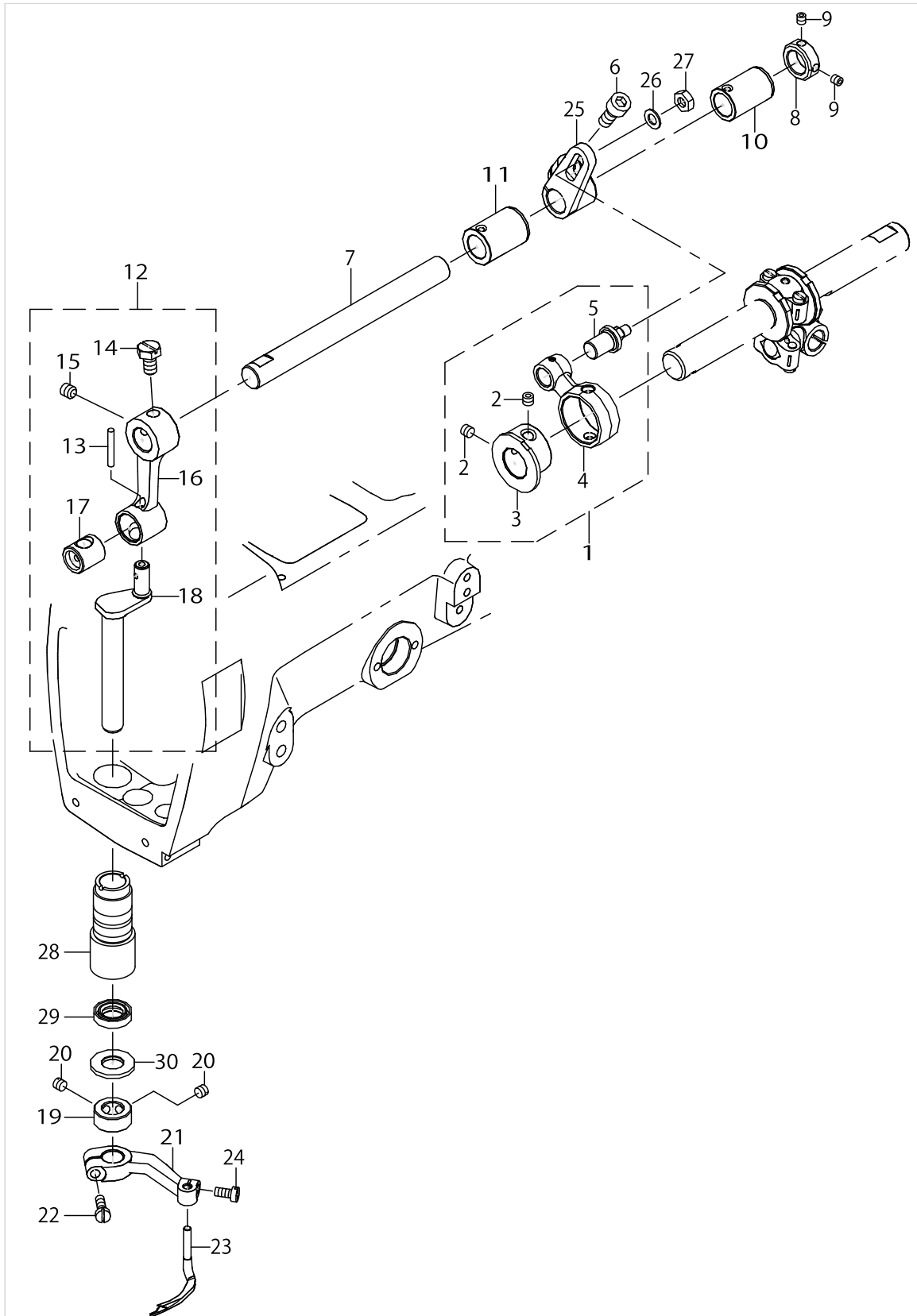
THREAD TAKE-UP LEVER COMPONENTS



THREAD TAKE-UP LEVER COMPONENTS

| No. | Parts No. | Parts name | Remarks | Level | Cons | Qty |
|-----|-------------|------------------------|---------|-------|------|-----|
| 48 | 13326301 | THREAD GUIDE UPPER LPR | | * | | 1 |
| 49 | 13326400 | THREAD GUIDE | | * | | 1 |
| 50 | 22945802 | THREAD TENSION DISK | | * | | 2 |
| 51 | 13326509 | TENSION POST | | * | | 1 |
| 52 | 22945505 | THREAD TENSION SPRING | | * | | 1 |
| 53 | 13326608 | TENSION NUT | | * | | 1 |
| 54 | NM6050001SP | NUT M5 | | * | | 1 |
| 55 | WP0450826SC | WASHER 4.5X10X0.8 | | | | 2 |
| 56 | SM6040800SP | SCREW | | | | 2 |
| 57 | 13325808 | NIPPER PLATE SUPPORT | | | | 1 |
| 58 | 13325907 | NIPPER PLATE | | | | 1 |
| 59 | 13326004 | NIPPER GUIDE PLATE | | | | 1 |
| 60 | 13326103 | SPRING | | | | 1 |
| 61 | 13326202 | SHOULDER SCREW | | | | 1 |
| 62 | SM4040655SP | SCREW M4 L=6 | | | | 1 |
| 63 | 13326707 | THREAD GUIDE | | | | 1 |
| 64 | WS0510002KN | SPRING WASHER | | | | 1 |

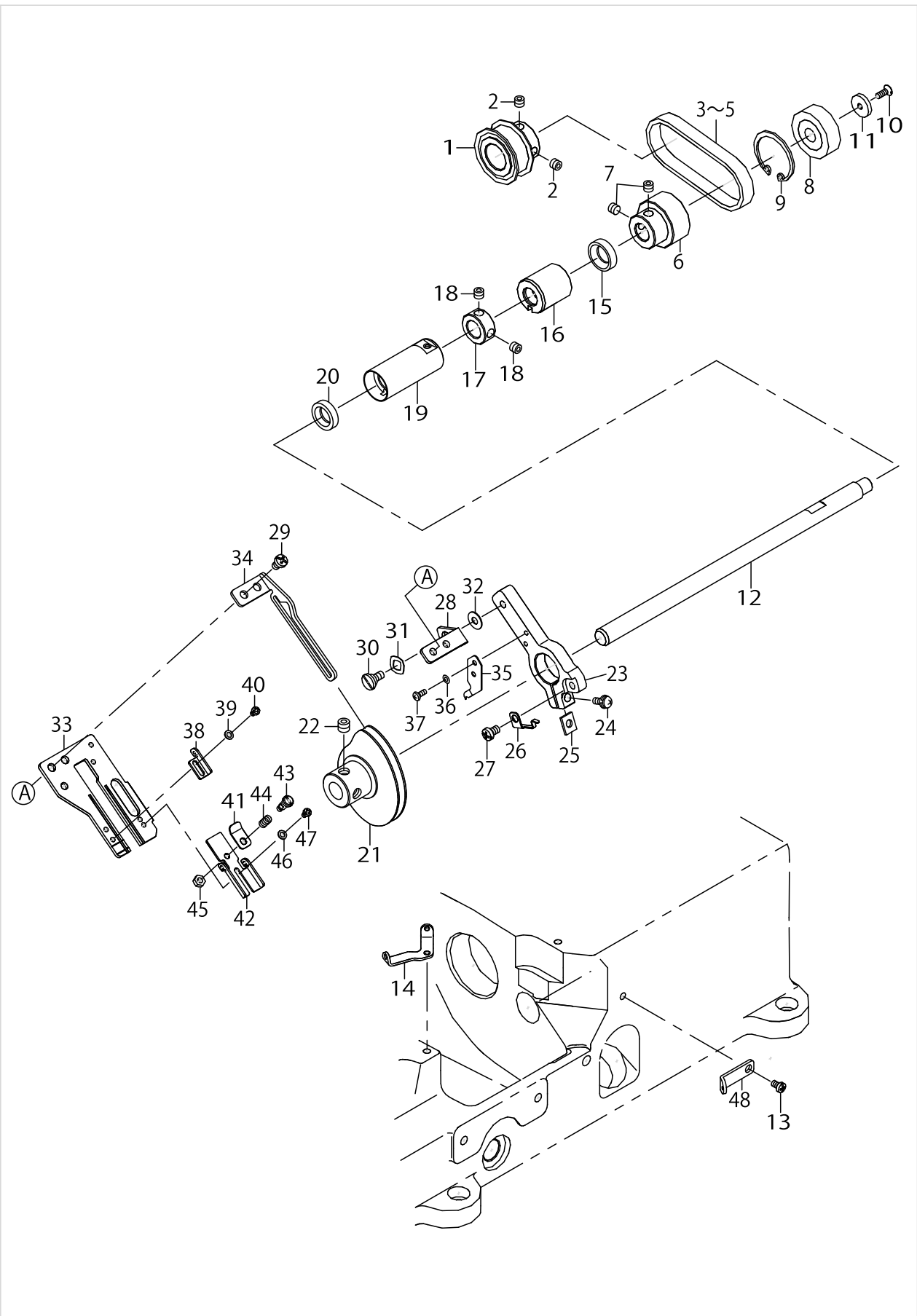
SPREADER COMPONENTS



SPREADER COMPONENTS

| No. | Parts No. | Parts name | Remarks | Level | Cons | Qty |
|-----|-------------|------------------------|---------|-------|------|------|
| 1 | 13328158 | ASSY_UPPPER_LPR_MECH | | | | 1 |
| 2 | SM8050412TP | SCREW M5 L=4 | | * | | 2 |
| 3 | 13328000 | UPPER LOOPER ECCENTRIC | | * | | 1 |
| 4 | 13328109 | CONNROD FOR UPPER LPR | | * | | 1 |
| 5 | 13328208 | STUD | | * | | 1 |
| 6 | SM6061402TP | SCREW M6 L=14 | | | | 1 |
| 7 | 13328406 | UPPER LOOPER SHAFT | | | | 1 |
| 8 | 13399209 | COLLAR | | | | 1 |
| 9 | SM8040412TP | SET SCREW M4 L=4 | | | | 2 |
| 10 | 13329008 | BUSHING REAR | | | | 1 |
| 11 | 13329107 | BUSHING FRONT | | | | 1 |
| 12 | 13328554 | ASSY_UPPER_LPR_MECH_2 | | | | 1 |
| 13 | CQ303000000 | OIL WICK | | * | | 0.05 |
| 14 | SM9061050TP | SCREW M6 L=10 | | * | | 1 |
| 15 | SM8060612TP | SCREW M6 L=6 | | * | | 1 |
| 16 | 13328505 | CRANK ROD | | * | | 1 |
| 17 | 13328604 | UPPER LOOPER ROCKER | | * | | 1 |
| 18 | 13328703 | UP LPR SHAFT VERTICAL | | * | | 1 |
| 19 | CS1000881TP | THRUST COLLAR | | | | 1 |
| 20 | SM8050412TP | SCREW M5 L=4 | | | | 2 |
| 21 | 13328802 | UPPER LOOPER HOLDER | | | | 1 |
| 22 | SM6041200SP | SCREW M4 L=12 | | | | 1 |
| 23 | 13329404 | UPPER LOOPER | | | | 1 |
| 24 | SM6040800SP | SCREW | | | | 1 |
| 25 | 13328307 | DRIVING ARM | | | | 1 |
| 26 | WP0550800SP | WASHER 5.5X10X0.8 | | | | 1 |
| 27 | NM6050001SP | NUT M5 | | | | 1 |
| 28 | 13329206 | BUSHING VERTICAL | | | | 1 |
| 29 | 13338900 | OIL SEAL | | | | 1 |
| 30 | WP1022016SH | WASHER | | | | 1 |

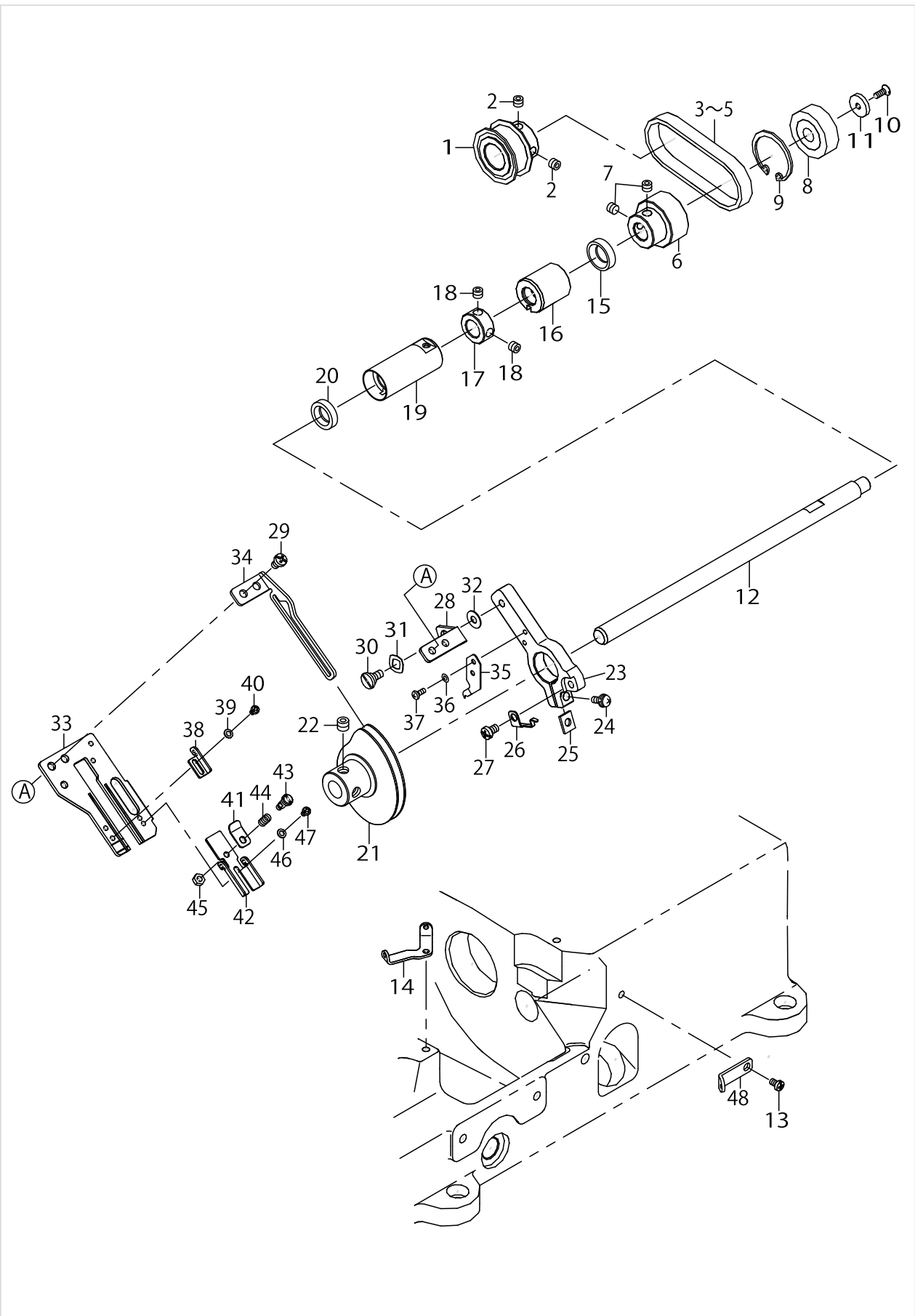
LOWER THREAD CAM COMPONENTS



LOWER THREAD CAM COMPONENTS

| No. | Parts No. | Parts name | Remarks | Level | Cons | Qty |
|-----|-------------|--------------------------|-----------------|-------|------|-----|
| 1 | 13331202 | SPROCKET MAIN T UP | | | | 1 |
| 2 | SM8050412TP | SCREW M5 L=4 | | | | 2 |
| 3 | 13332507 | BELT TAKE UP A | SELECTIVE PARTS | | | 1 |
| 4 | 13333000 | BELT TAKE UP B | SELECTIVE PARTS | | | 1 |
| 5 | 13333109 | BELT TAKE UP C | SELECTIVE PARTS | | | 1 |
| 6 | 13331301 | SPROCKET TAKE UP | | | | 1 |
| 7 | SM8050412TP | SCREW M5 L=4 | | | | 2 |
| 8 | SB108002100 | BEARING | | | | 1 |
| 9 | RC2800002KP | RETAINIG PIN | | | | 1 |
| 10 | SM1030800SM | SCREW M3X0.5 L=8 | | | | 1 |
| 11 | 13332606 | WASHER TAKE UP | | | | 1 |
| 12 | 13331400 | SHAFT TAKE UP | | | | 1 |
| 13 | SM4040655SP | SCREW M4 L=6 | | | | 1 |
| 14 | 13333703 | EYELET_D | | | | 1 |
| 15 | 40020538 | OIL_SEAL | | | | 1 |
| 16 | 13331004 | BUSHING A TAKE UP | | | | 1 |
| 17 | CS1000881TP | THRUST COLLAR | | | | 1 |
| 18 | SM8050412TP | SCREW M5 L=4 | | | | 2 |
| 19 | 40023481 | BUSHING_B_TAKE_UP | | | | 1 |
| 20 | 40023441 | OIL_SEAL | | | | 1 |
| 21 | 40019335 | ASSY_TAKE_UP | | | | 1 |
| 22 | SM8060552TP | SCREW M6 L=5 | | | | 2 |
| 23 | 13332309 | BASE TAKE UP PLATE | | | | 1 |
| 24 | SL4041281SC | SCREW M4X0.7 L=12 | | | | 1 |
| 25 | 13333208 | WASHER | | | | 1 |
| 26 | 13332903 | SPRING | | | | 1 |
| 27 | SM4040655SP | SCREW M4 L=6 | | | | 1 |
| 28 | 13332804 | BRACKET | | | | 1 |
| 29 | SM4040655SP | SCREW M4 L=6 | | | | 2 |
| 30 | SD0640246SP | HINGE SCREW D=6.35 H=2.4 | | | | 1 |
| 31 | WZ0641510KP | WAVED WASHER 6.4X11X0.3 | | | | 1 |
| 32 | WP0410516SD | PLAIN WASHER | | | | 1 |
| 33 | 13332002 | TAKE UP PLATE | | | | 1 |
| 34 | 40023042 | THREAD_GUIDE | | | | 1 |
| 35 | 40056591 | THREAD_CATCHER | | | | 1 |
| 36 | WP0280501SC | WASHER M2.6 | | | | 2 |
| 37 | SM4850455SP | SCREW | | | | 2 |
| 38 | 13332101 | EYELET A | | | | 1 |
| 39 | WP0280500SC | WASHER | | | | 1 |
| 40 | SM4850455SP | SCREW | | | | 1 |
| 41 | 13333307 | LPR THD DISC UPPER | | | | 1 |
| 42 | 13333406 | LPR THD GUIDE BASE | | | | 1 |
| 43 | 13333505 | TENSION POST | | | | 1 |
| 44 | 13333604 | LOOPER CAM SPRING | | | | 1 |
| 45 | NM6030001SN | NUT | | | | 1 |
| 46 | WP0280500SC | WASHER | | | | 1 |
| 47 | SM4850455SP | SCREW | | | | 1 |

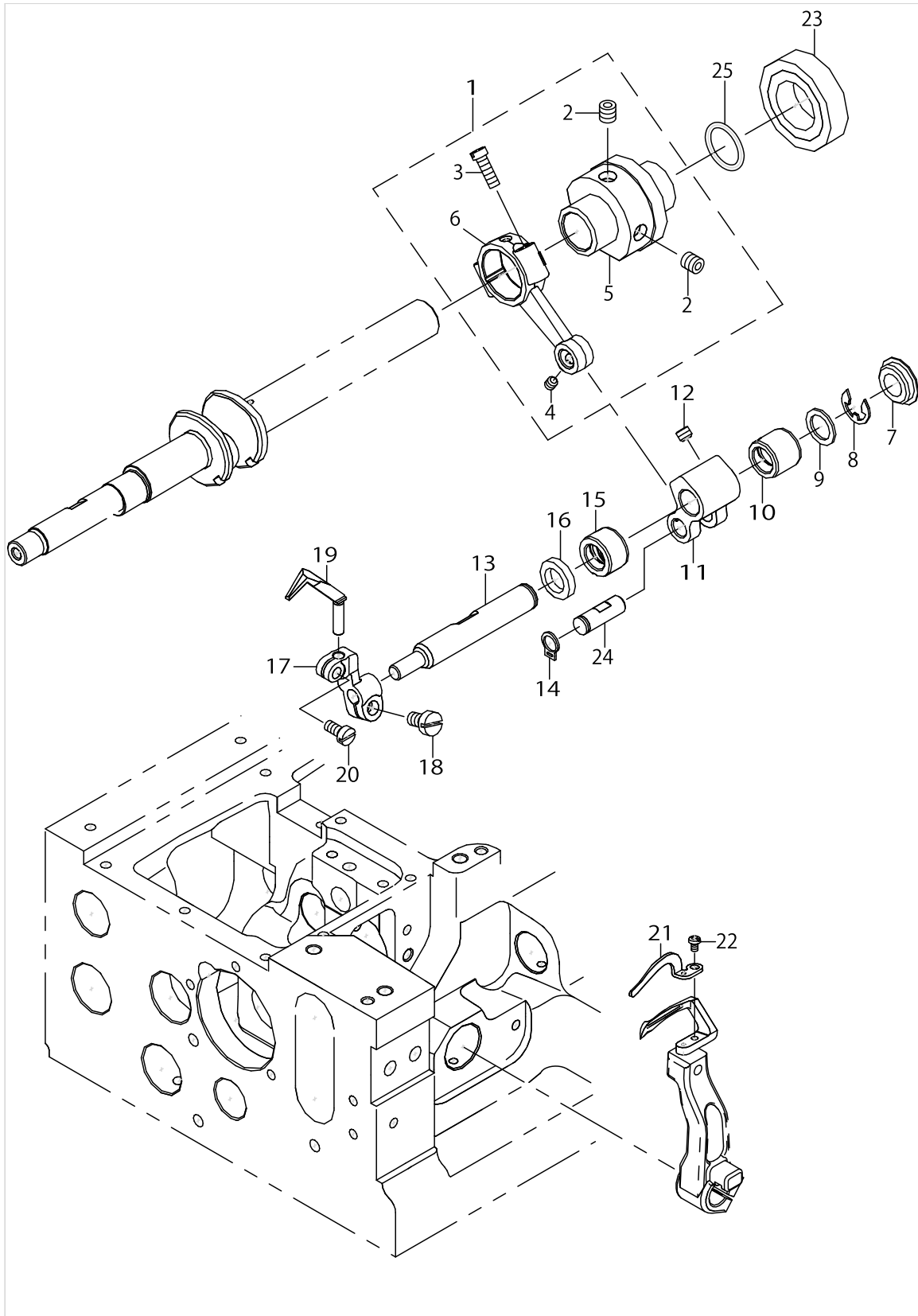
LOWER THREAD CAM COMPONENTS



LOWER THREAD CAM COMPONENTS

| No. | Parts No. | Parts name | Remarks | Level | Cons | Qty |
|-----|-----------|------------|---------|-------|------|-----|
| 48 | 13332705 | EYELET C | | | | 1 |

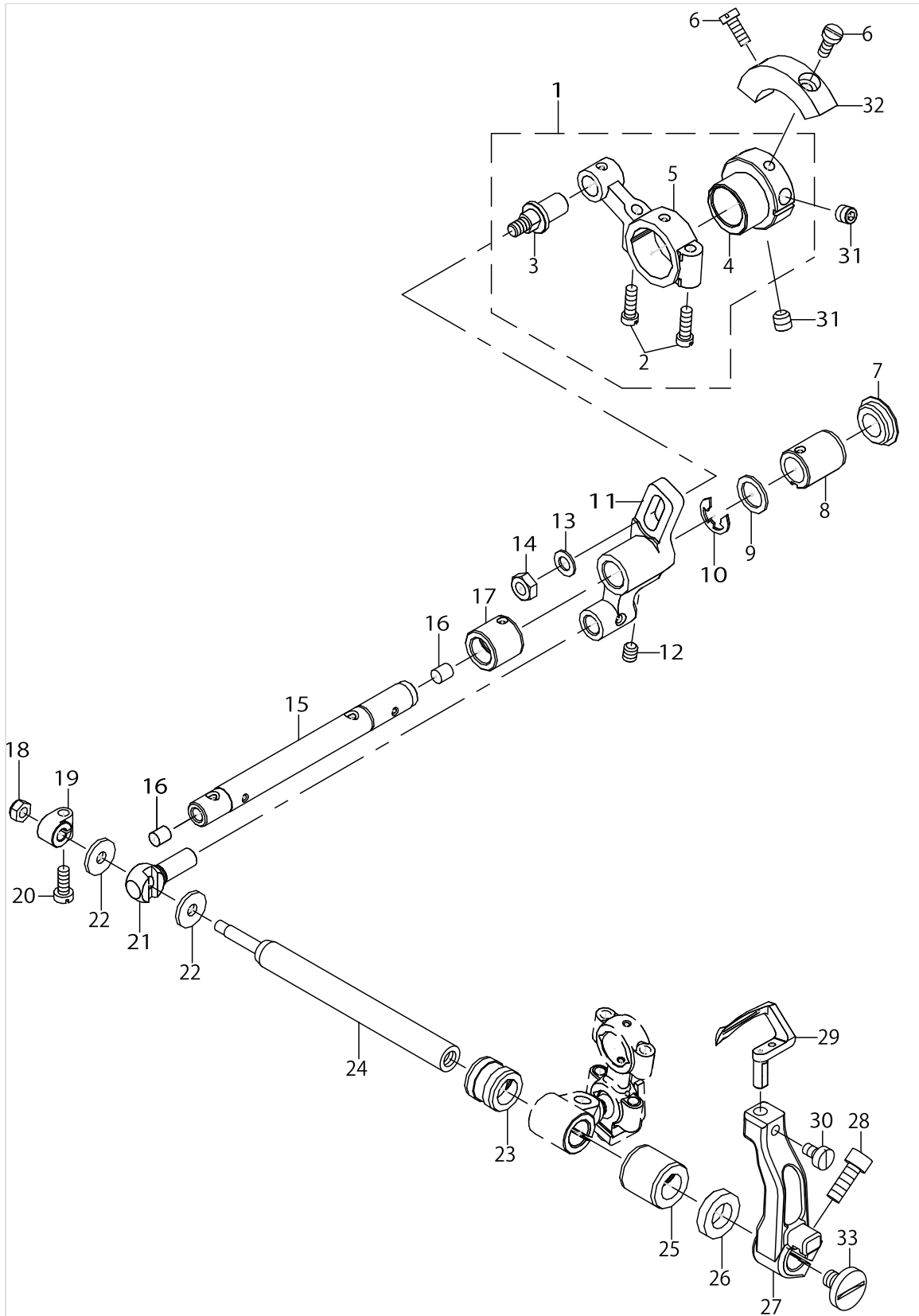
NEEDLE GUARD COMPONENTS



NEEDLE GUARD COMPONENTS

| No. | Parts No. | Parts name | Remarks | Level | Cons | Qty |
|-----|-------------|-----------------------|---------|-------|------|-----|
| 1 | 40018947 | NDL_GUARD_CAM_ASSY | | | | 1 |
| 2 | SM8060612TP | SCREW M6 L=6 | | * | | 2 |
| 3 | SM6041202TP | SCREW M4X0.7 L=12 | | * | | 2 |
| 4 | SM8040412TP | SET SCREW M4 L=4 | | * | | 1 |
| 5 | 40018923 | NDL_GUARD_CAM | | * | | 1 |
| 6 | 13334107 | NDL_GUARD_CONN_ROD | | * | | 1 |
| 7 | TA1600406R0 | PRUG | | | | 1 |
| 8 | RE0700000K0 | E-RING 7 | | | | 1 |
| 9 | WP1021026SH | WASHER | | | | 1 |
| 10 | 13334909 | BUSHING_NDL_GUARD_A | | | | 1 |
| 11 | 13334206 | NDL_GUARD_DRIVE_LEVER | | | | 1 |
| 12 | SM8050412TP | SCREW M5 L=4 | | | | 2 |
| 13 | 13334404 | SHAFT_NEEDLE_GUARD | | | | 1 |
| 14 | RC0650811KP | RETAINING_RING | | | | 1 |
| 15 | 13335005 | BUSHING_NDL_GUARD_B | | | | 1 |
| 16 | 13335203 | OIL_SEAL | | | | 1 |
| 17 | 13334503 | REAR_NDL_GUARD HOLDER | | | | 1 |
| 18 | SM6050800SP | SCREW M5 L=8 | | | | 1 |
| 19 | 13334602 | REAR_NDL_GUARD | | | | 1 |
| 20 | SM6040800SP | SCREW | | | | 1 |
| 21 | 13334701 | FRONT_NDL_GUARD | | | | 1 |
| 22 | SM4850455SP | SCREW | | | | 1 |
| 23 | SB120001500 | BEARING | | | | 1 |
| 24 | 13334305 | PIN_NDL_GUARD | | | | 1 |
| 25 | RO148240200 | RUBBER_RING | | | | 1 |

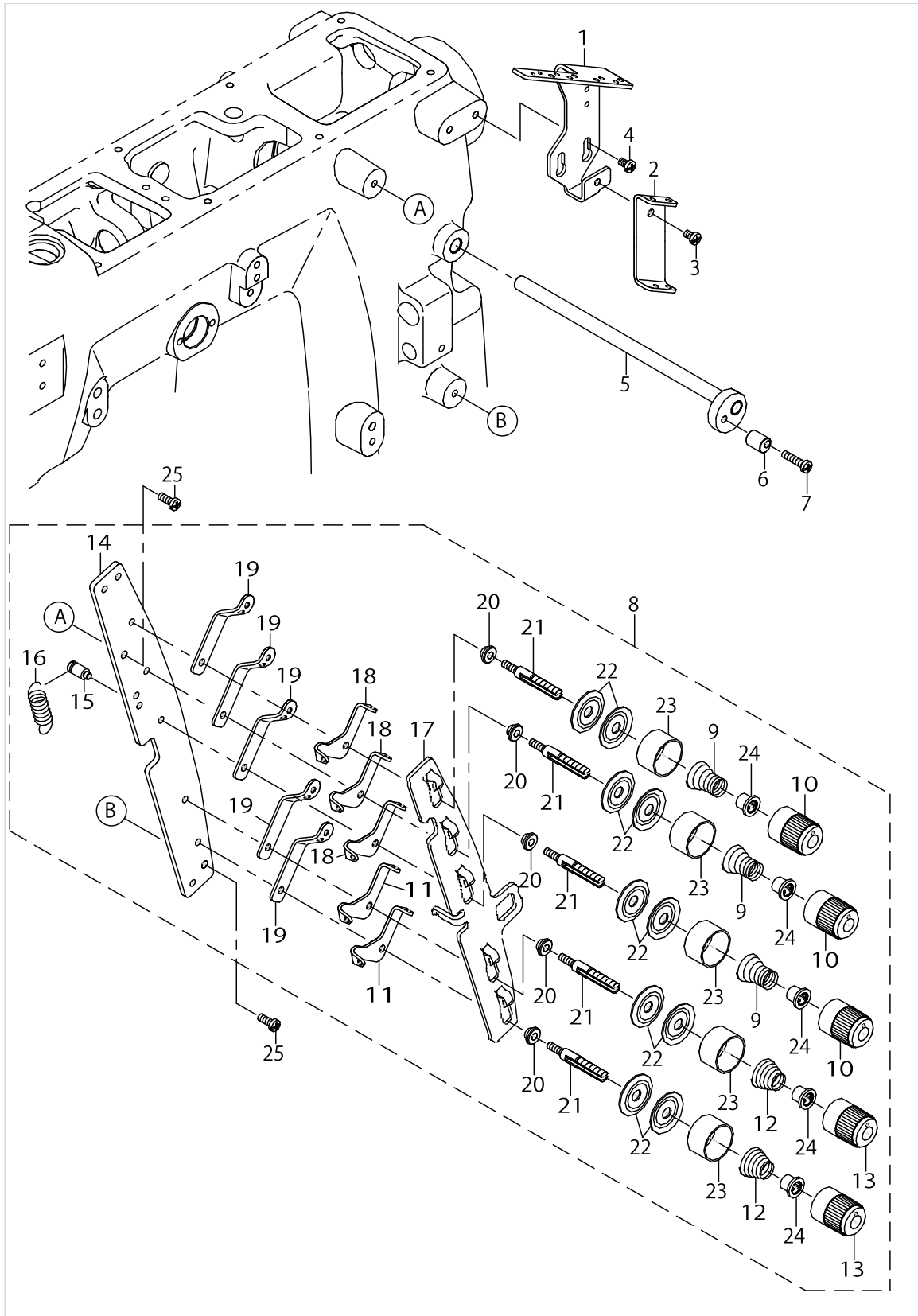
LOOPER COMPONENTS



LOOPER COMPONENTS

| No. | Parts No. | Parts name | Remarks | Level | Cons | Qty |
|-----|-------------|------------------------|---------|-------|------|-----|
| 1 | 13337357 | ECC_LOOPER_AVOID_ASSY | | | | 1 |
| 2 | SM6041202TP | SCREW M4X0.7 L=12 | | * | | 2 |
| 3 | 13337506 | PIN LOOPER AVOID | | * | | 1 |
| 4 | 13337308 | ECC LOOPER AVOID | | * | | 1 |
| 5 | 13337407 | LOOPER ROD AVOID | | * | | 1 |
| 6 | SM6041000SP | SCREW M4 L=10 | | | | 2 |
| 7 | TA1600406R0 | PRUG | | | | 1 |
| 8 | 13338702 | BUSHING LPR RIGHT | | | | 1 |
| 9 | WP1021026SH | WASHER | | | | 1 |
| 10 | RE0700000K0 | E-RING 7 | | | | 1 |
| 11 | 13337605 | CRANK LOOPER AVOID | | | | 1 |
| 12 | SM8050612TP | SCREW M5X6 | | | | 1 |
| 13 | WP0550800SP | WASHER 5.5X10X0.8 | | | | 1 |
| 14 | NM6050001SP | NUT M5 | | | | 2 |
| 15 | 13338504 | LOOPER SHAFT AVOID | | | | 1 |
| 16 | TA0500601M0 | PLUG D=5X5.4 L=6 | | | | 2 |
| 17 | 13338603 | BUSHING LPR LEFT | | | | 1 |
| 18 | 13338306 | LOCK NUT | | | | 1 |
| 19 | 13337704 | COLLAR LOOPER AVOID | | | | 1 |
| 20 | SM6041000SP | SCREW M4 L=10 | | | | 1 |
| 21 | 13337803 | LOOPER AVOID PIN | | | | 1 |
| 22 | WP0461516SH | WASHER | | | | 2 |
| 23 | 13338009 | BUSHING LPR SHAFT REAR | | | | 1 |
| 24 | 40050448 | LOOPER_SHAFT | | | | 1 |
| 25 | 13338108 | BUSHING LPR SHAFT FRT | | | | 1 |
| 26 | 13338900 | OIL SEAL | | | | 1 |
| 27 | 40050449 | LOOPER HOLDER | | | | 1 |
| 28 | SM6051402TP | SCREW M5X0.8 L=14 | | | | 1 |
| 29 | 13337902 | LOOPER | | | | 1 |
| 30 | SM6040750TP | SCREW M4 L=7 | | | | 1 |
| 31 | SM8060612TP | SCREW M6 L=6 | | | | 2 |
| 32 | 13338801 | BALANCE_WEIGHT_LP | | | | 1 |
| 33 | 40052522 | SCREW | | | | 1 |

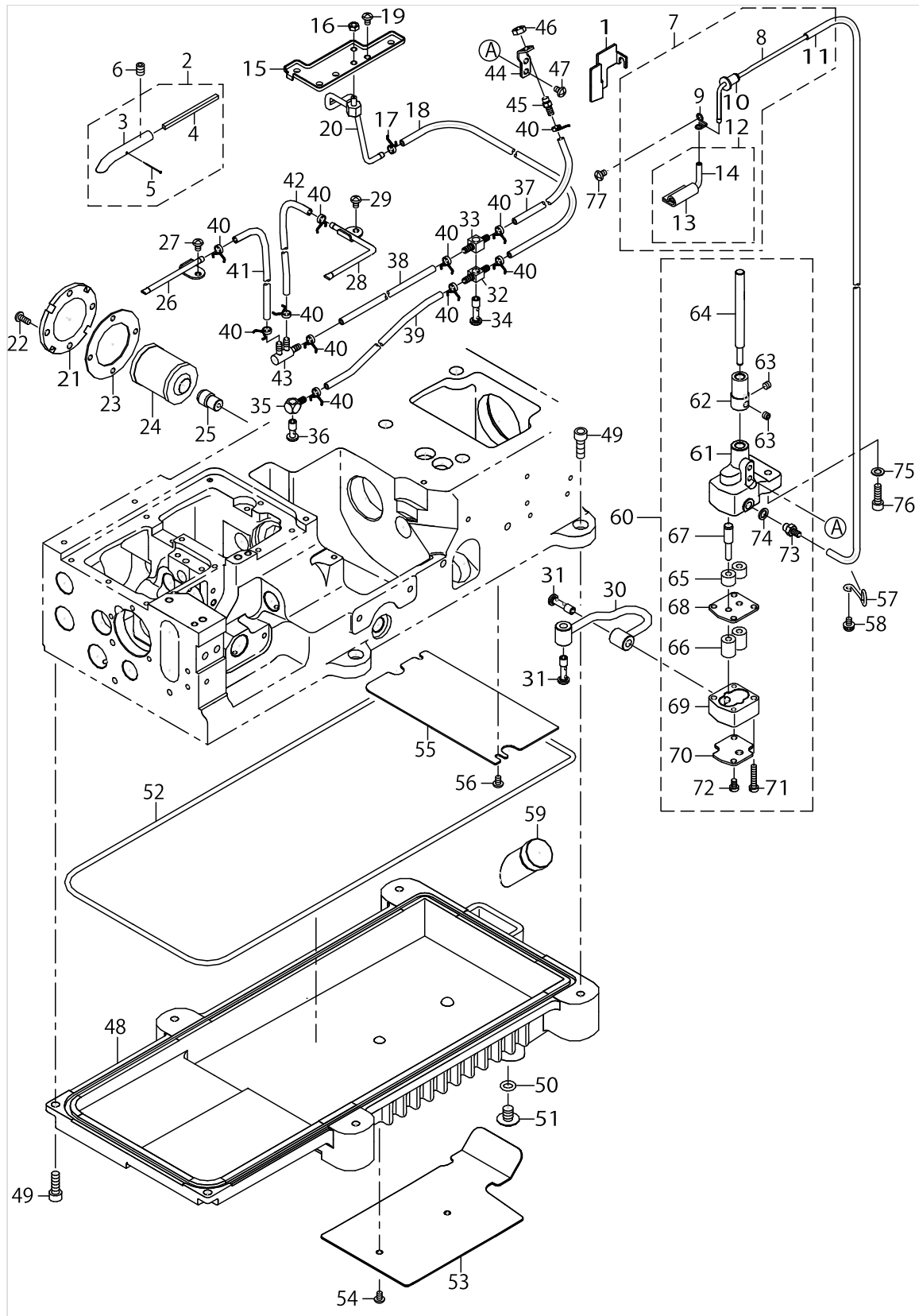
THREAD TENSION COMPONENTS



THREAD TENSION COMPONENTS

| No. | Parts No. | Parts name | Remarks | Level | Cons | Qty |
|-----|-------------|-----------------------------|---------|-------|------|-----|
| 1 | 13340005 | THREAD GUIDE PLATE | | | | 1 |
| 2 | 13340104 | THREAD GUIDE | | | | 1 |
| 3 | SM4040655SP | SCREW M4 L=6 | | | | 1 |
| 4 | SM4040655SP | SCREW M4 L=6 | | | | 2 |
| 5 | 13341359 | ASSY PULL OFF LEVER | | | | 1 |
| 6 | 13341409 | TENS RELEASE ADJ ECC | | | | 1 |
| 7 | SM4041655SP | SCREW M4 L=16 | | | | 1 |
| 8 | 40066136 | THREAD_TENSION_ASSY | | | | 1 |
| 9 | 13140504 | TENSION SPRING | | * | | 3 |
| 10 | 13340906 | KNOB GREEN | | * | | 3 |
| 11 | 13340500 | TENSION DISC EYELET | | * | | 2 |
| 12 | B3121804000 | TENSION SPRING | | * | | 2 |
| 13 | 40042363 | KNOB | | * | | 2 |
| 14 | 13340203 | TENSION POST SUPPORT | | * | | 1 |
| 15 | 13340302 | SHOULDER SCREW | | * | | 1 |
| 16 | B2008372000 | THREAD TENSION SPRING | | * | | 1 |
| 17 | 40065784 | TENSION_DISC_SEPARATOR | | * | | 1 |
| 18 | 13341607 | TENSION_DISC_EYELET_2 | | * | | 3 |
| 19 | 13340609 | THREAD LEAD IN GUIDE | | * | | 5 |
| 20 | 13340708 | SPACER | | * | | 5 |
| 21 | 40042362 | TENSION POST | | * | | 5 |
| 22 | 13138201 | THREAD TENSION DISK | | * | | 10 |
| 23 | 40042366 | THREAD TENSION DISK PRESSER | | * | | 5 |
| 24 | 40042365 | SPRING BUSHING | | * | | 5 |
| 25 | SM4041055SP | SCREW | | | | 2 |

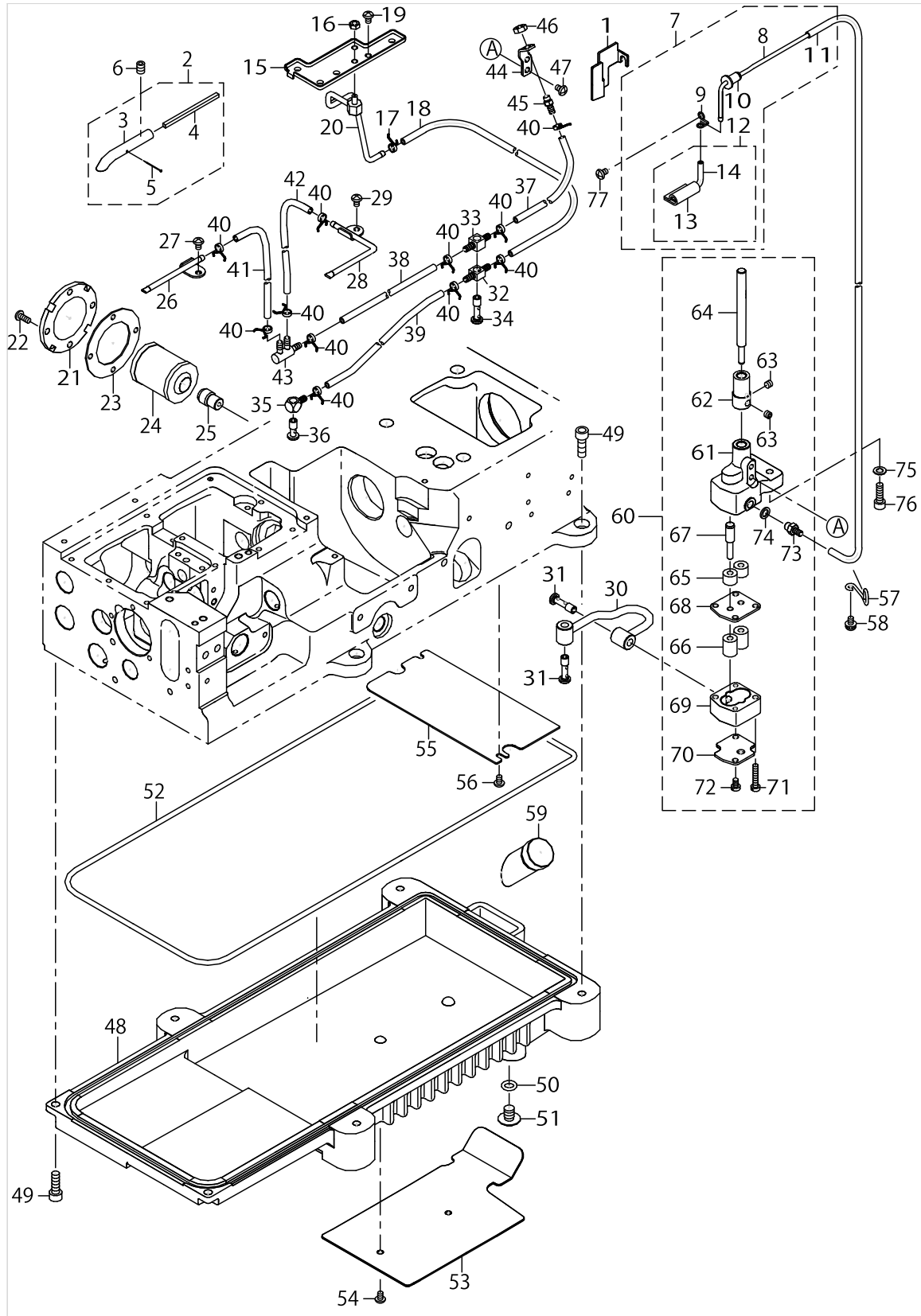
LUBRICATION COMPONENTS



LUBRICATION COMPONENTS

| No. | Parts No. | Parts name | Remarks | Level | Cons | Qty |
|-----|-------------|-------------------------|---------|-------|------|------|
| 1 | 13343900 | OIL_PROTECTION_SHIELD | | | | 1 |
| 2 | 13343652 | ASSY_OIL_TUBE | | | | 1 |
| 3 | 13343603 | OIL TUBE | | * | | 1 |
| 4 | 13344205 | FELT_FOR_HEAD_LUB | | * | | 1 |
| 5 | 11856101 | NEEDLE COOLER PIN | | * | | 1 |
| 6 | SM8060812TP | SCREW M6 L=8 | | | | 1 |
| 7 | 13344056 | ASSY_HEAD_SUCTION | | | | 1 |
| 8 | 13344601 | SUCTION PIPE | | * | | 1 |
| 9 | 13344502 | PIPE CLAMP | | * | | 1 |
| 10 | 13344700 | BUSHING FOR SUCTION | | * | | 1 |
| 11 | 23630007 | TUBE | | * | | 0.43 |
| 12 | 13344155 | FELT_FOR_HEAD_SUCTION_2 | | * | | 1 |
| 13 | 40019163 | FELT_FOR_HEAD_SUCTION | | * | | 1 |
| 14 | 13346408 | OIL_TUBE FOR SUCTION | | * | | 1 |
| 15 | 40028110 | OIL_SAUCER | | | | 1 |
| 16 | NM6040001SP | NUT M4X0.7 | | | | 1 |
| 17 | 23629306 | PIPE STOPPER A | | | | 1 |
| 18 | BP30000010R | VINYL PIPE | | | | 0.5 |
| 19 | SM4040655SP | SCREW M4 L=6 | | | | 2 |
| 20 | 13345053 | ASSY_OIL_SUPPLY_FOR_TOP | | | | 1 |
| 21 | 13345202 | FILTER_COVER | | | | 1 |
| 22 | SM4041055SP | SCREW | | | | 4 |
| 23 | 13344809 | GASKET O | | | | 1 |
| 24 | 13142500 | CARTRIDGE FILTER | | | | 1 |
| 25 | 13343801 | FITTING FILTER | | | | 1 |
| 26 | 13346556 | ASSY_OIL_SUPPLY | | | | 1 |
| 27 | SM4040655SP | SCREW M4 L=6 | | | | 1 |
| 28 | 13345855 | OIL_SUPPLY_ASSY | | | | 1 |
| 29 | SM4040655SP | SCREW M4 L=6 | | | | 1 |
| 30 | 13346259 | ASSY_OIL_PIPE | | | | 1 |
| 31 | SQ2060442SD | CONNECTING SCREW | | | | 2 |
| 32 | SQ0000454MZ | CONNECTING SCREW | | | | 1 |
| 33 | SQ0000453MZ | CONNECTING SCREW | | | | 1 |
| 34 | SQ2060442SD | CONNECTING SCREW | | | | 1 |
| 35 | SQ0000452MZ | CONNECTING SCREW | | | | 1 |
| 36 | SQ2060441SD | CONNECTING SCREW | | | | 1 |
| 37 | BP30000010R | VINYL PIPE | | | | 0.14 |
| 38 | BP30000010R | VINYL PIPE | | | | 0.12 |
| 39 | BP30000010R | VINYL PIPE | | | | 0.19 |
| 40 | 23629306 | PIPE STOPPER A | | | | 11 |
| 41 | BP30000010R | VINYL PIPE | | | | 0.13 |
| 42 | BP30000010R | VINYL PIPE | | | | 0.11 |
| 43 | 23629504 | DISTRIBUTOR | | | | 1 |
| 44 | 13346705 | CONNECTING_SCR_BRACKET | | | | 1 |
| 45 | SQ2050452MZ | CONNECTING SCREW | | | | 1 |
| 46 | NM6050001SP | NUT M5 | | | | 1 |
| 47 | SM4040655SP | SCREW M4 L=6 | | | | 2 |

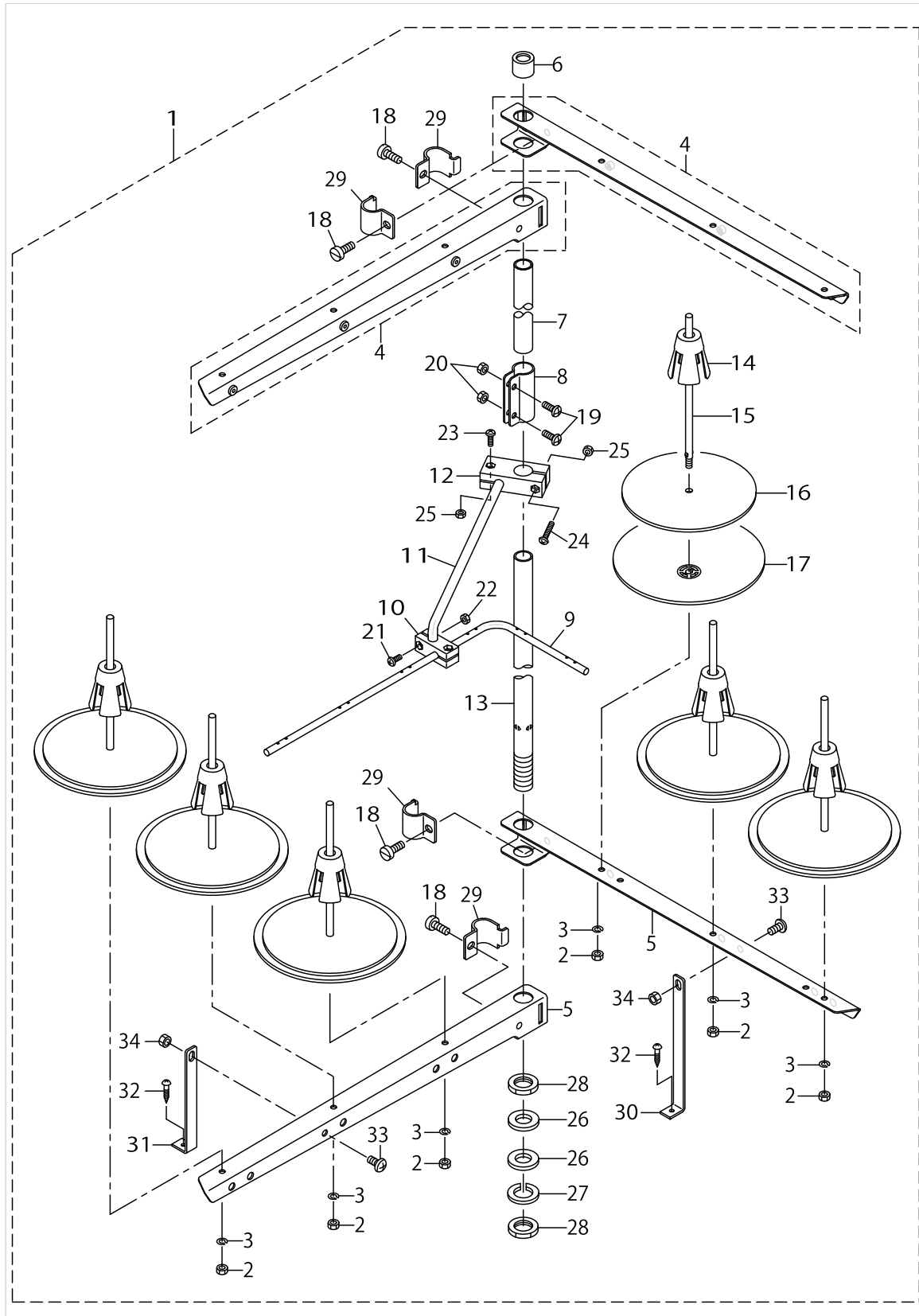
LUBRICATION COMPONENTS



LUBRICATION COMPONENTS

| No. | Parts No. | Parts name | Remarks | Level | Cons | Qty |
|-----|-------------|------------------------|---------|-------|------|-----|
| 48 | 13345509 | OIL PAN | | | | 1 |
| 49 | SM6061802TP | SCREW M6 L=18 | | | | 6 |
| 50 | 13170105 | RUBBER RING | | | | 1 |
| 51 | SM0081001SD | SCREW | | | | 1 |
| 52 | 13345608 | O RING | | | | 1 |
| 53 | 13346309 | BREEZE_PLATE | | | | 1 |
| 54 | SM4040655SP | SCREW M4 L=6 | | | | 2 |
| 55 | 13345905 | COVER PLATE | | | | 1 |
| 56 | SM4040655SP | SCREW M4 L=6 | | | | 2 |
| 57 | 13346606 | OIL_TUBE_HOLDER | | | | 1 |
| 58 | SL4040805SC | SCREW | | | | 1 |
| 59 | 13346101 | OIL SIGHT GAUGE | | | | 1 |
| 60 | 13345459 | ASSY_PUMP_2-STAGE | | | | 1 |
| 61 | 13343108 | OIL PUMP HOUSING | | * | | 1 |
| 62 | 13343009 | WORM WHEEL | | * | | 1 |
| 63 | SM8050412TP | SCREW M5 L=4 | | * | | 2 |
| 64 | 13345400 | OIL PUMP SHAFT LARGE | | * | | 1 |
| 65 | 13228309 | PINION GEAR, SMALL | | * | | 2 |
| 66 | 13228200 | OIL PUMP PINION, LARGE | | * | | 2 |
| 67 | 13227905 | GEAR PUMP SHAFT, SMALL | | * | | 1 |
| 68 | 13343405 | OIL PUMP SPACER | | * | | 1 |
| 69 | 13343207 | OIL PUMP CASING | | * | | 1 |
| 70 | 13343306 | OIL PUMP COVER | | * | | 1 |
| 71 | SM6042000SP | SCREW | | * | | 2 |
| 72 | SM6040600SP | SCREW M4 L=6 | | * | | 2 |
| 73 | SQ2060451MZ | CONNECTING SCREW | | * | | 1 |
| 74 | 40004749 | GASKET | | * | | 1 |
| 75 | WP0550800SP | WASHER 5.5X10X0.8 | | | | 2 |
| 76 | SM6051602TP | SCREW M5X0.8 L=16 | | | | 2 |
| 77 | SM4040655SP | SCREW M4 L=6 | | | | 1 |

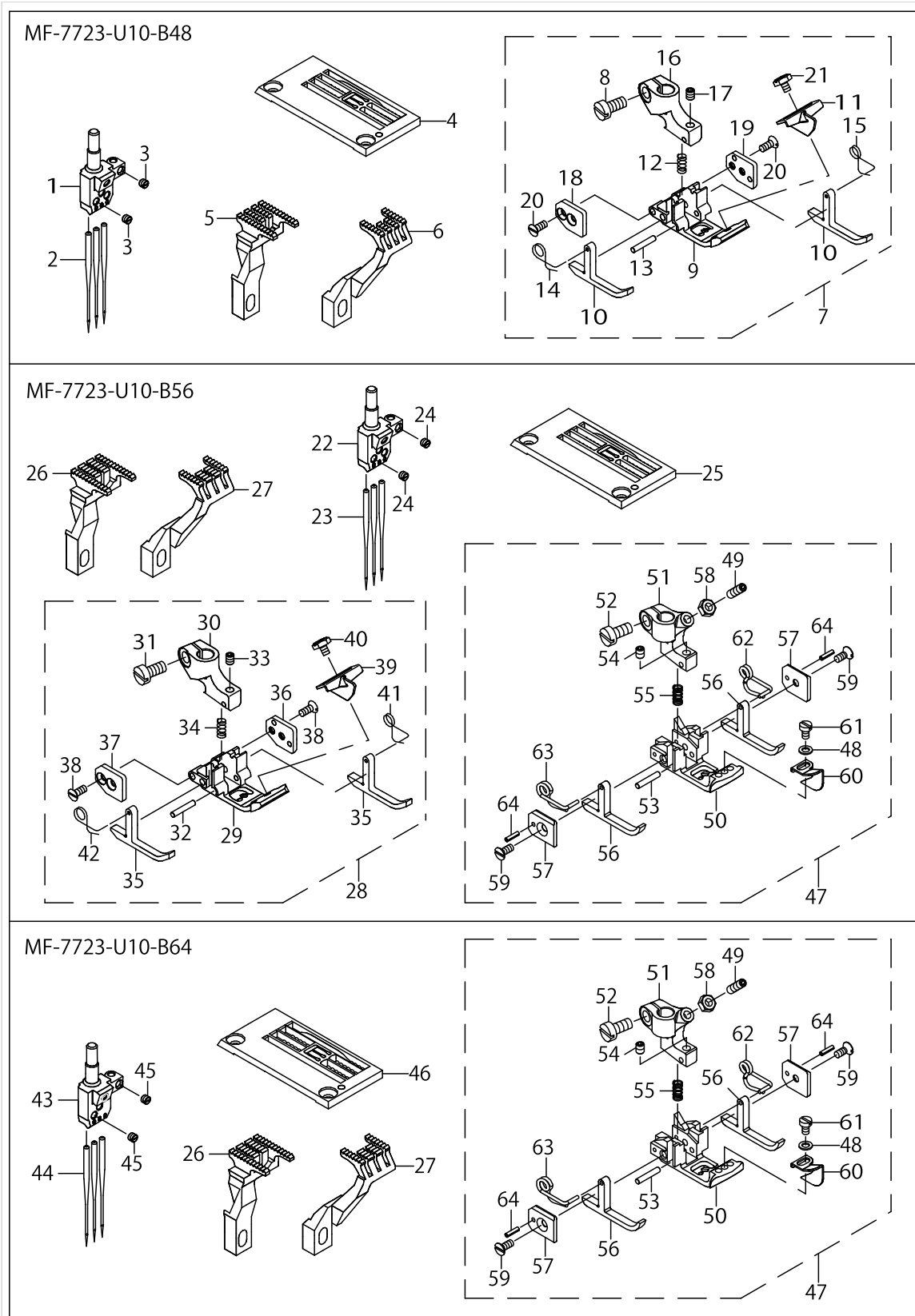
THREAD STAND COMPONENTS



THREAD STAND COMPONENTS

| No. | Parts No. | Parts name | Remarks | Level | Cons | Qty |
|-----|-------------|--------------------------------|---------|-------|------|-----|
| 1 | 40072506 | THREAD_STAND_ASM. | | | | 1 |
| 2 | NM6050001SE | NUT M5 | | * | | 6 |
| 3 | WS0510002KN | SPRING WASHER | | * | | 6 |
| 4 | 13168356 | THREAD STANDING ARM ASM. ,LONG | | * | | 2 |
| 5 | 13168802 | THREAD STANDING ARM ,LONG | | * | | 2 |
| 6 | 22931406 | THREAD STANDING ROD RUBBER CAP | | * | | 1 |
| 7 | 22930408 | THREAD STANDING ROD, UPPER | | * | | 1 |
| 8 | 22931307 | THREAD STANDING ROD JOINT | | * | | 1 |
| 9 | 13167903 | THREAD GUIDE | | * | | 1 |
| 10 | 13168000 | THREAD GUIDE BASE, LOWER | | * | | 1 |
| 11 | 40056675 | THREAD_GUIDE_ARM_BASE | | * | | 1 |
| 12 | 13168208 | THREAD GUIDE ARM BASE | | * | | 1 |
| 13 | 22930309 | THREAD STANDING ROD, LOWER | | * | | 1 |
| 14 | 22931109 | SPOOL RETAINER | | * | | 6 |
| 15 | 22931000 | SPOOL PIN | | * | | 6 |
| 16 | 22930903 | SPOOL REST CUSHION | | * | | 6 |
| 17 | 22930804 | SPOOL REST | | * | | 6 |
| 18 | SM6061610SC | SCREW M6 L=16 | | * | | 4 |
| 19 | SM4051405SE | SCREW M5 L=14 | | * | | 2 |
| 20 | NM6050001SE | NUT M5 | | * | | 2 |
| 21 | SM4041001SC | SCREW M4X0.7 L=10 | | * | | 2 |
| 22 | NM6040002SE | NUT M4X0.7 | | * | | 2 |
| 23 | SM4041201SC | SCREW M4 L=12 | | * | | 1 |
| 24 | SM4042001SC | SCREW M4 X 20 | | * | | 1 |
| 25 | NM6040002SE | NUT M4X0.7 | | * | | 2 |
| 26 | WP1612616SE | WASHER 16X30X2.6 | | * | | 2 |
| 27 | WS1643202KR | SPRING WASHER | | * | | 1 |
| 28 | NM6160511SE | NUT M16X1.5 | | * | | 2 |
| 29 | 22930705 | THREAD GUIDE ARM JOINT | | * | | 4 |
| 30 | 13168505 | THREAD STANDING ARM SUPPORT B | | * | | 1 |
| 31 | 13168406 | THREAD STANDING ARM SUPPORT A | | * | | 1 |
| 32 | SK3382001SE | SCREW D=3.8 L=20 | | * | | 2 |
| 33 | SM4061201SE | SCREW M6 L=12 | | * | | 2 |
| 34 | NM6060001SE | NUT M6 | | * | | 2 |

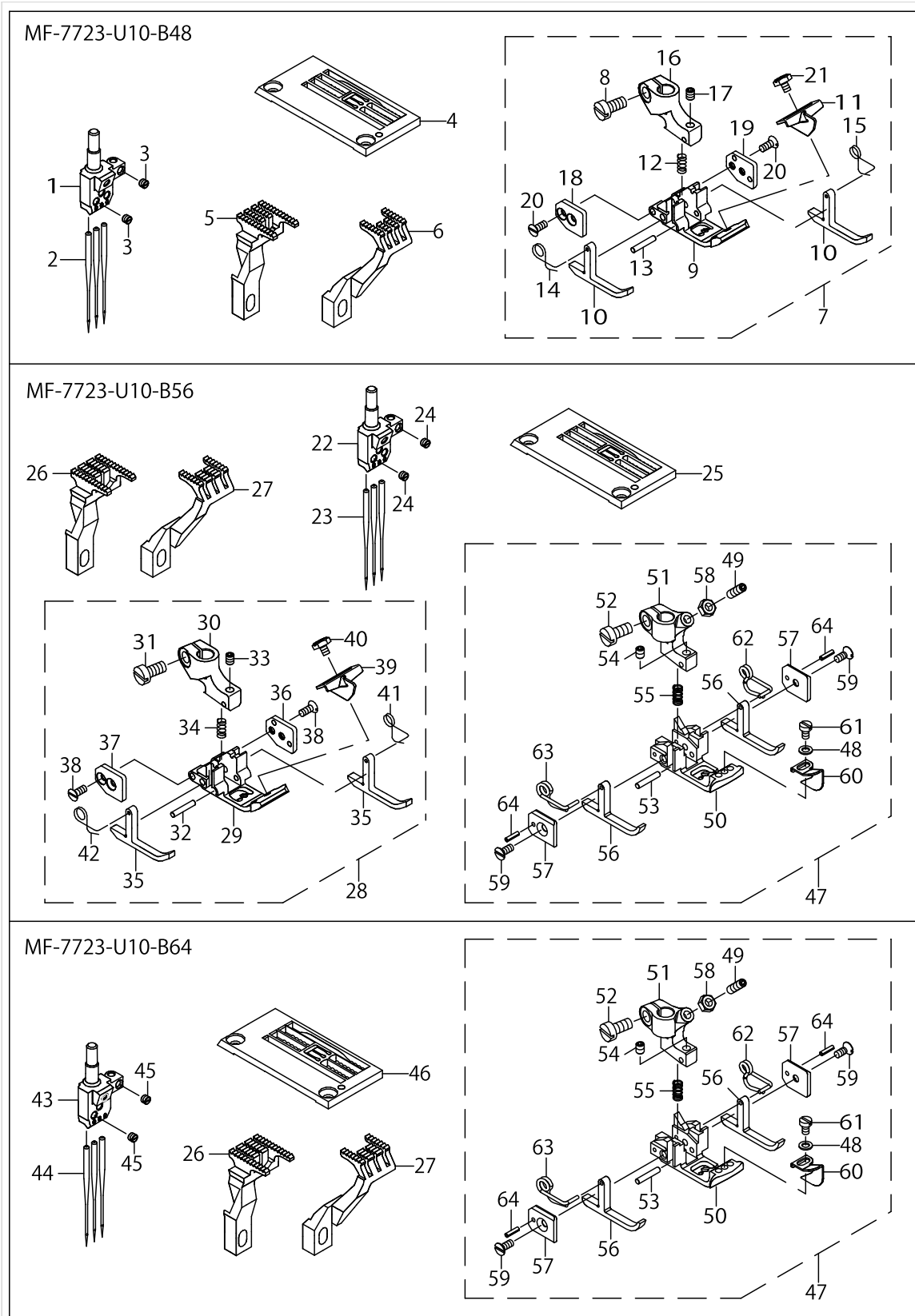
GAUGE PARTS COMPONENTS (1) (FOR MF-7700-U10)



GAUGE PARTS COMPONENTS (1) (FOR MF-7700-U10)

| No. | Parts No. | Parts name | Remarks | Level | Cons | Qty |
|-----|-------------|----------------------|--------------------|-------|------|-----|
| 1 | 13350202 | NEEDLE_HEAD_48 | | | | 1 |
| 2 | MUY128S1000 | NEEDLE UYX128GAS #10 | | | | 3 |
| 3 | SM8030350TP | SCREW | | | | 4 |
| 4 | 40040514 | THROAT PLATE | | | | 1 |
| 5 | 13354204 | MAIN FEED DOG | | | | 1 |
| 6 | 13358304 | DIFF_FEED_DOG | | | | 1 |
| 7 | 13376058 | PRESSER_FOOT_ASSY | | | | 1 |
| 8 | SM6040800SP | SCREW | | * | | 1 |
| 9 | 13376009 | PRESSER_FOOT_BOTTOM | | * | | 1 |
| 10 | 13375100 | P_F_YIELDING_SECTION | | * | | 2 |
| 11 | 13376900 | PRESSER_FOOT_GUIDE | | * | | 1 |
| 12 | 13377106 | SPRING | | * | | 1 |
| 13 | 13375209 | PIVOT_PIN | | * | | 1 |
| 14 | 13375308 | SPRING_L | | * | | 1 |
| 15 | 13375407 | SPRING_R | | * | | 1 |
| 16 | 13375506 | PRESSER_FOOT_HINGE | | * | | 1 |
| 17 | SM8030412TP | SCREW | | * | | 1 |
| 18 | 13375605 | GUIDE_PLATE_L | | * | | 1 |
| 19 | 13375704 | GUIDE_PLATE_R | | * | | 1 |
| 20 | SM1850600SP | SCREW | | * | | 4 |
| 21 | 13377007 | SCREW | | * | | 1 |
| 22 | 13350301 | NEEDLE_HEAD_56 | | | | 1 |
| 23 | MUY128S1000 | NEEDLE UYX128GAS #10 | | | | 3 |
| 24 | SM8030350TP | SCREW | | | | 4 |
| 25 | 40058033 | THROAT_PLATE | | | | 1 |
| 26 | 13353701 | MAIN_FEED_DOG | | | | 1 |
| 27 | 13357603 | DIFF_FEED_DOG | | | | 1 |
| 28 | 13375050 | PRESSER_FOOT_ASSY | TYPE TURKEY | | | 1 |
| 29 | 13375001 | PRESSER_FOOT_BOTTOM | | * | | 1 |
| 30 | 13375506 | PRESSER_FOOT_HINGE | | * | | 1 |
| 31 | SM6040800SP | SCREW | | * | | 1 |
| 32 | 13375209 | PIVOT_PIN | | * | | 1 |
| 33 | SM8030412TP | SCREW | | * | | 1 |
| 34 | 13377106 | SPRING | | * | | 1 |
| 35 | 13375100 | P_F_YIELDING_SECTION | | * | | 2 |
| 36 | 13375704 | GUIDE_PLATE_R | | * | | 1 |
| 37 | 13375605 | GUIDE_PLATE_L | | * | | 1 |
| 38 | SM1850600SP | SCREW | | * | | 4 |
| 39 | 13376900 | PRESSER_FOOT_GUIDE | | * | | 1 |
| 40 | 13377007 | SCREW | | * | | 1 |
| 41 | 13375407 | SPRING_R | | * | | 1 |
| 42 | 13375308 | SPRING_L | | * | | 1 |
| 43 | 13350400 | NEEDLE_HEAD_64 | | | | 1 |
| 44 | MUY128S1000 | NEEDLE UYX128GAS #10 | | | | 3 |
| 45 | SM8030350TP | SCREW | | | | 4 |
| 46 | 40040513 | THROAT PLATE | | | | 1 |
| 47 | 40082974 | PRESSER_FOOT_ASSY | EXCEPT TYPE TURKEY | | | 1 |

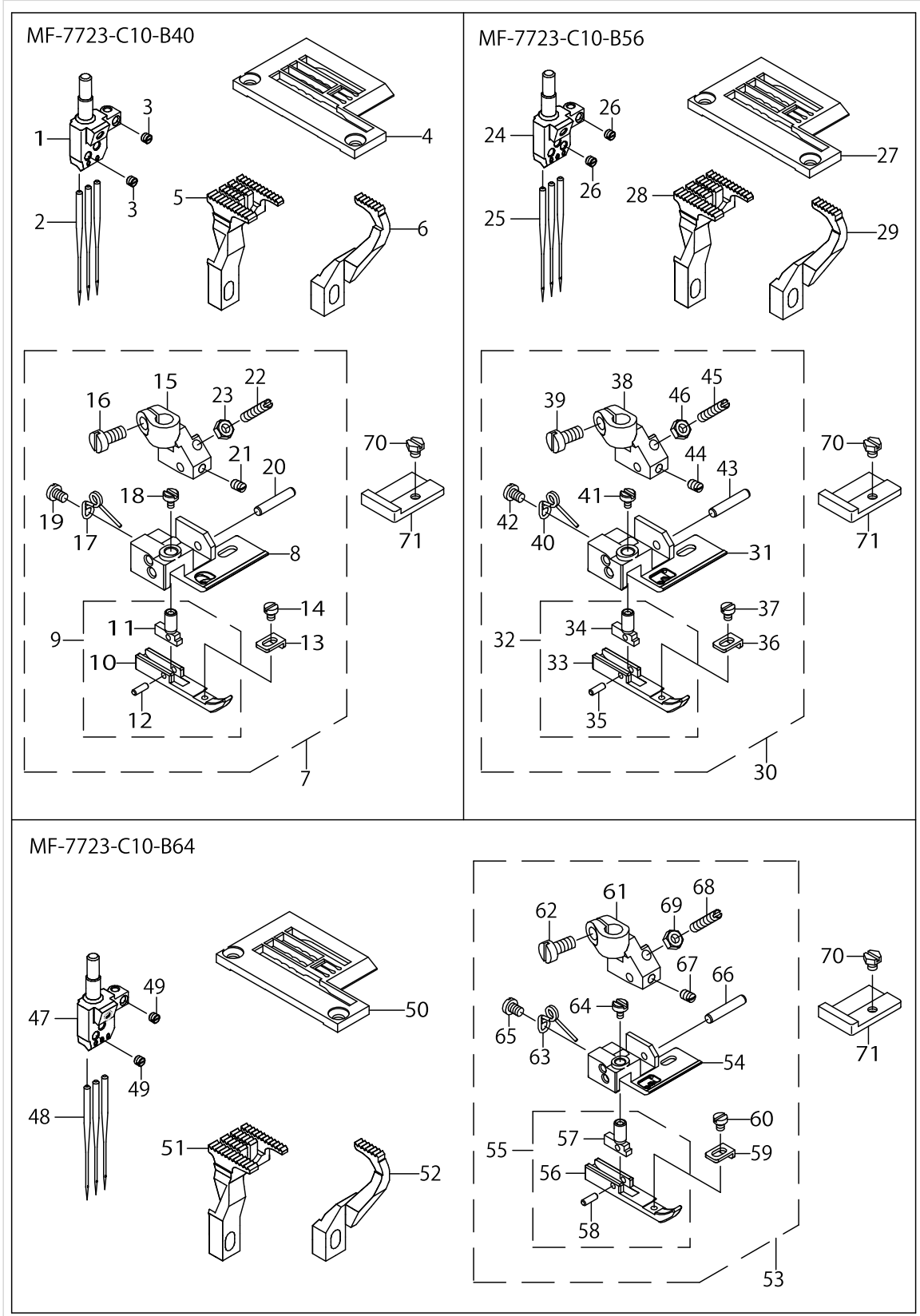
GAUGE PARTS COMPONENTS (1) (FOR MF-7700-U10)



GAUGE PARTS COMPONENTS (1) (FOR MF-7700-U10)

| No. | Parts No. | Parts name | Remarks | Level | Cons | Qty |
|-----|-------------|----------------------|---------|-------|------|-----|
| 48 | WP0280500SC | WASHER | | * | | 1 |
| 49 | SM8031002TP | SCREW | | * | | 1 |
| 50 | 40082975 | PRESSER_FOOT_BOTTOM | | * | | 1 |
| 51 | 40070224 | PRESSER_FOOT_HINGE | | * | | 1 |
| 52 | SM6040800SP | SCREW | | * | | 1 |
| 53 | 13375209 | PIVOT_PIN | | * | | 1 |
| 54 | SM8030412TP | SCREW | | * | | 1 |
| 55 | 13377106 | SPRING | | * | | 1 |
| 56 | 40070226 | P_F_YIELDING_SECTION | | * | | 2 |
| 57 | 40070227 | GUIDE_PLATE | | * | | 2 |
| 58 | NM6030001SD | NUT M3X0.5 | | * | | 1 |
| 59 | SM1850600SP | SCREW | | * | | 2 |
| 60 | 40070231 | PRESSER_FOOT_GUIDE | | * | | 1 |
| 61 | SM6850400SP | SCREW M2.5 L=4 | | * | | 1 |
| 62 | 40070230 | SPRING_R | | * | | 1 |
| 63 | 40070229 | SPRING_L | | * | | 1 |
| 64 | PS0150065KP | SPRING PIN 1.5X6 | | * | | 2 |

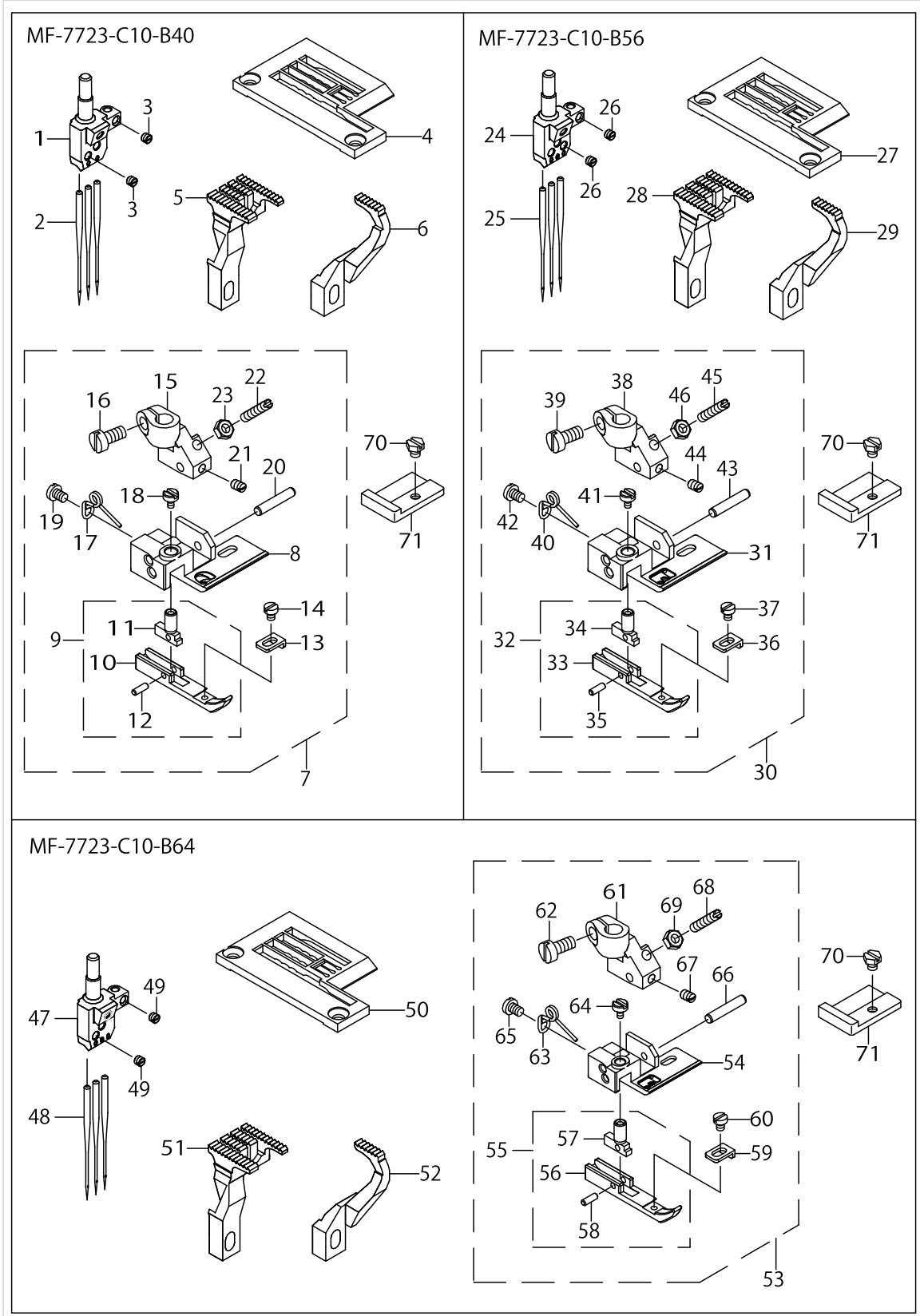
GAUGE PARTS COMPONENTS (2) (FOR MF-7700-C10)



GAUGE PARTS COMPONENTS (2) (FOR MF-7700-C10)

| No. | Parts No. | Parts name | Remarks | Level | Cons | Qty |
|-----|-------------|---------------------------|---------|-------|------|-----|
| 1 | 13350103 | NEEDLE_HEAD_40 | | | | 1 |
| 2 | MUY128S1000 | NEEDLE UYX128GAS #10 | | | | 2 |
| 3 | SM8030350TP | SCREW | | | | 3 |
| 4 | 13351408 | THROAT_PLATE | | | | 1 |
| 5 | 13353800 | MAIN_FEED_DOG | | | | 1 |
| 6 | 13357702 | DIFF_FEED_DOG | | | | 1 |
| 7 | 40056504 | PRESSER_FOOT_ASSEMBLY | | | | 1 |
| 8 | 40056505 | PRESSER_FOOT_BOTTOM_40 | | * | | 1 |
| 9 | 40056412 | YIELDING_SECTION_ASSEMBLY | | * | | 1 |
| 10 | 40056403 | YIELDING_SECTION | | * | | 1 |
| 11 | 13377205 | YIELDING_SECTION_SHANK | | * | | 1 |
| 12 | 13377304 | PIVOT_PIN | | * | | 1 |
| 13 | 40056404 | PRESSER_FOOT_GUIDE | | * | | 1 |
| 14 | SM6850300SP | SCREW M2.5 L=3 | | * | | 1 |
| 15 | 13376504 | PRESSER_FOOT_SHANK | | * | | 1 |
| 16 | SM6040800SP | SCREW | | * | | 1 |
| 17 | 13376603 | YIELDING_SECTION_SPRING | | * | | 1 |
| 18 | 13376702 | THREAD_SPRING_SCREW | | * | | 1 |
| 19 | SM4030455SP | SCREW | | * | | 1 |
| 20 | PH0300162C0 | PARALLEL PIN 3X16 | | * | | 1 |
| 21 | SM8030500SP | SCREW | | * | | 1 |
| 22 | 13376801 | SCREW_FOR_PRESSER_FOOT | | * | | 1 |
| 23 | NM6030001SD | NUT M3X0.5 | | * | | 1 |
| 24 | 13350301 | NEEDLE_HEAD_56 | | | | 1 |
| 25 | MUY128S1000 | NEEDLE UYX128GAS #10 | | | | 3 |
| 26 | SM8030350TP | SCREW | | | | 4 |
| 27 | 13351606 | THROAT_PLATE | | | | 1 |
| 28 | 13353909 | MAIN_FEED_DOG | | | | 1 |
| 29 | 13357801 | DIFF_FEED_DOG | | | | 1 |
| 30 | 40056410 | PRESSER_FOOT_ASSEMBLY | | | | 1 |
| 31 | 40056405 | PRESSER_FOOT_BOTTOM_56 | | * | | 1 |
| 32 | 40056412 | YIELDING_SECTION_ASSEMBLY | | * | | 1 |
| 33 | 40056403 | YIELDING_SECTION | | * | | 1 |
| 34 | 13377205 | YIELDING_SECTION_SHANK | | * | | 1 |
| 35 | 13377304 | PIVOT_PIN | | * | | 1 |
| 36 | 40056404 | PRESSER_FOOT_GUIDE | | * | | 1 |
| 37 | SM6850300SP | SCREW M2.5 L=3 | | * | | 1 |
| 38 | 13376504 | PRESSER_FOOT_SHANK | | * | | 1 |
| 39 | SM6040800SP | SCREW | | * | | 1 |
| 40 | 13376603 | YIELDING_SECTION_SPRING | | * | | 1 |
| 41 | 13376702 | THREAD_SPRING_SCREW | | * | | 1 |
| 42 | SM4030455SP | SCREW | | * | | 1 |
| 43 | PH0300162C0 | PARALLEL PIN 3X16 | | * | | 1 |
| 44 | SM8030500SP | SCREW | | * | | 1 |
| 45 | 13376801 | SCREW_FOR_PRESSER_FOOT | | * | | 1 |
| 46 | NM6030001SD | NUT M3X0.5 | | * | | 1 |
| 47 | 13350400 | NEEDLE_HEAD_64 | | | | 1 |

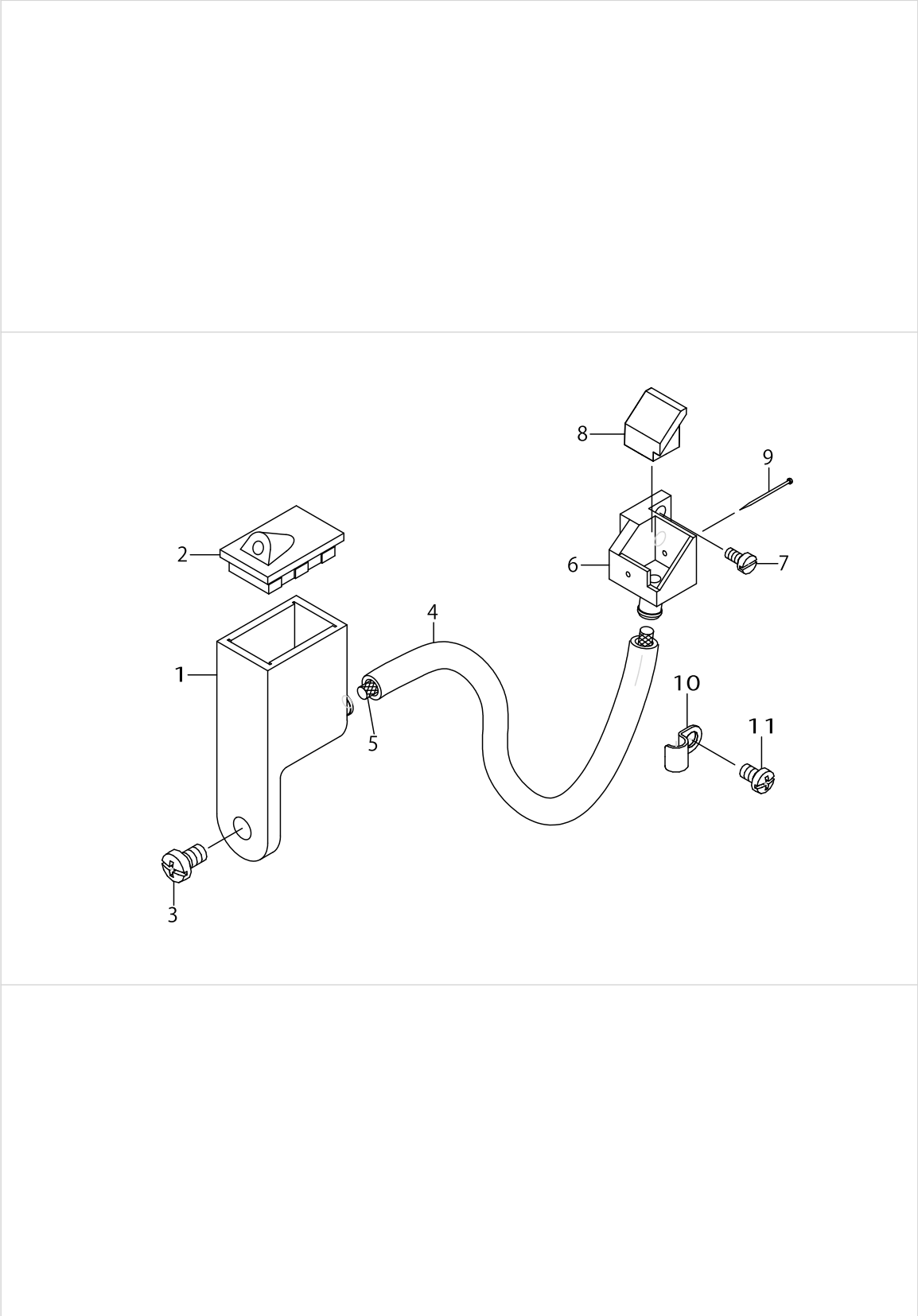
GAUGE PARTS COMPONENTS (2) (FOR MF-7700-C10)



GAUGE PARTS COMPONENTS (2) (FOR MF-7700-C10)

| No. | Parts No. | Parts name | Remarks | Level | Cons | Qty |
|-----|-------------|---------------------------|----------------|-------|------|-----|
| 48 | MUY128S1000 | NEEDLE UYX128GAS #10 | | | | 3 |
| 49 | SM8030350TP | SCREW | | | | 4 |
| 50 | 13351705 | THROAT_PLATE | | | | 1 |
| 51 | 13353909 | MAIN_FEED_DOG | | | | 1 |
| 52 | 13357801 | DIFF_FEED_DOG | | | | 1 |
| 53 | 40056411 | PRESSER_FOOT_ASSEMBLY | | | | 1 |
| 54 | 40056406 | PRESSER_FOOT_BOTTOM_64 | | * | | 1 |
| 55 | 40056412 | YIELDING_SECTION_ASSEMBLY | | * | | 1 |
| 56 | 40056403 | YIELDING_SECTION | | * | | 1 |
| 57 | 13377205 | YIELDING_SECTION_SHANK | | * | | 1 |
| 58 | 13377304 | PIVOT_PIN | | * | | 1 |
| 59 | 40056404 | PRESSER_FOOT_GUIDE | | * | | 1 |
| 60 | SM6850300SP | SCREW M2.5 L=3 | | * | | 1 |
| 61 | 13376504 | PRESSER_FOOT_SHANK | | * | | 1 |
| 62 | SM6040800SP | SCREW | | * | | 1 |
| 63 | 13376603 | YIELDING_SECTION_SPRING | | * | | 1 |
| 64 | 13376702 | THREAD_SPRING_SCREW | | * | | 1 |
| 65 | SM4030455SP | SCREW | | * | | 1 |
| 66 | PH0300162C0 | PARALLEL PIN 3X16 | | * | | 1 |
| 67 | SM8030500SP | SCREW | | * | | 1 |
| 68 | 13376801 | SCREW_FOR_PRESSER_FOOT | | * | | 1 |
| 69 | NM6030001SD | NUT M3X0.5 | | * | | 1 |
| 70 | 13378005 | SCREW | OPTIONAL PARTS | | | 1 |
| 71 | 40056407 | TAPE_GUIDE | OPTIONAL PARTS | | | 1 |

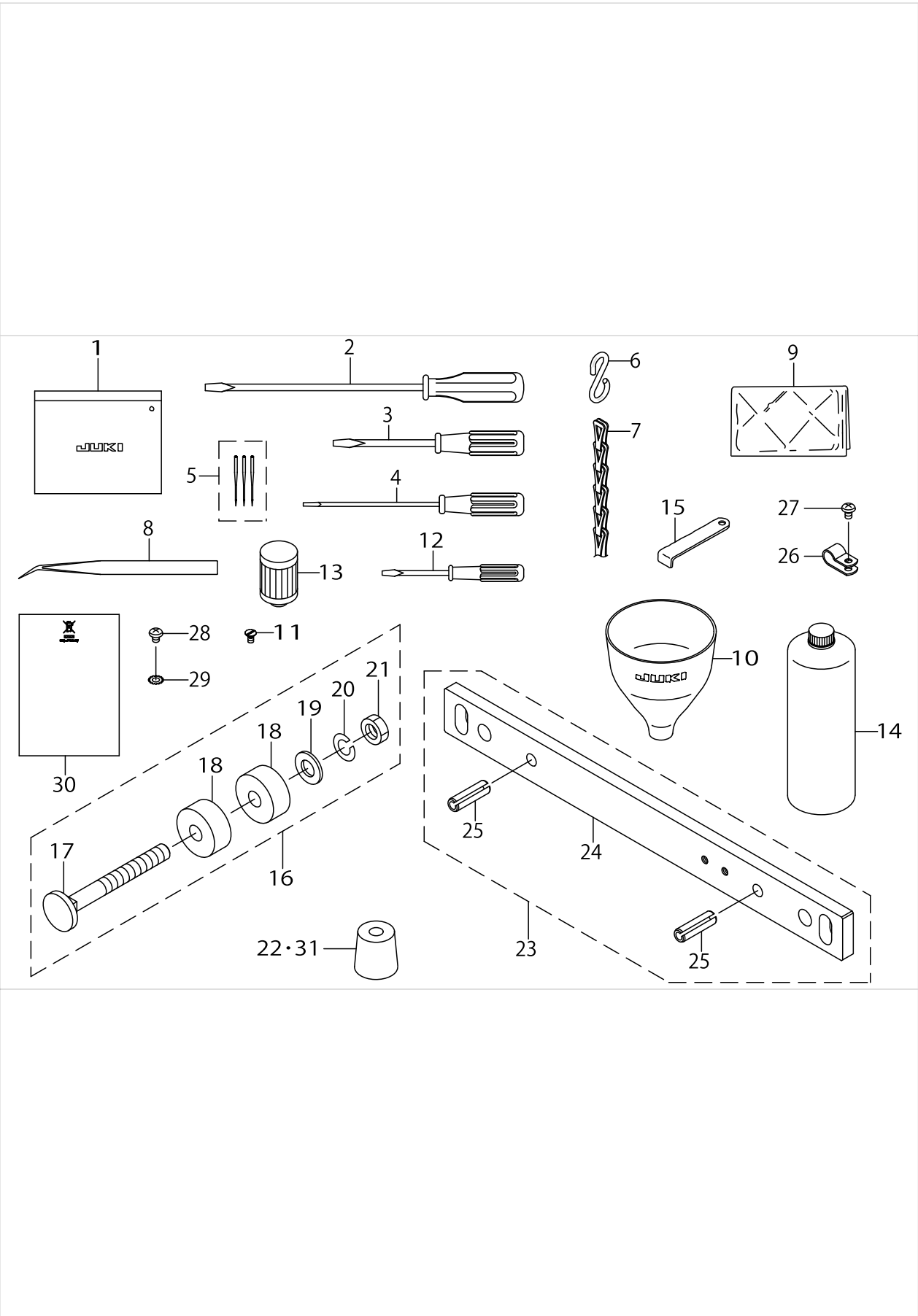
NEEDLE COOLING MECHANISM COMPONENTS



NEEDLE COOLING MECHANISM COMPONENTS

| No. | Parts No. | Parts name | Remarks | Level | Cons | Qty |
|-----|-------------|------------------------|---------|-------|------|------|
| 1 | 40056919 | SILICONE_OIL_TANK | | | | 1 |
| 2 | 13429105 | SILICONE OIL TANK CAP | | | | 1 |
| 3 | SM4050855SP | SCREW | | | | 1 |
| 4 | BT0600402EA | OIL TUBE | | | | 0.15 |
| 5 | CQ303000000 | OIL WICK | | | | 0.3 |
| 6 | 13348206 | SILICONE OIL CUP | | | | 1 |
| 7 | SM6030600SP | SCREW M3X0.5 L=6 | | | | 2 |
| 8 | 13348305 | FELT | | | | 1 |
| 9 | 11856101 | NEEDLE COOLER PIN | | | | 1 |
| 10 | B3538112000 | OIL RETURN TUBE HOLDER | | | | 1 |
| 11 | SM4040655SP | SCREW M4 L=6 | | | | 1 |

ACCESSORIES PARTS COMPONENTS



ACCESSORIES PARTS COMPONENTS

| No. | Parts No. | Parts name | Remarks | Level | Cons | Qty |
|-----|-------------|-------------------------|---------|-------|------|-----|
| 1 | 22932800 | ACCESSORIE BAG | | | | 1 |
| 2 | 22933006 | SCREW DRIVER,LARGE | | | | 1 |
| 3 | 22933105 | SCREW DRIVER,MIDDLE | | | | 1 |
| 4 | 12347308 | SCREW DRIVER (SMALL) | | | | 1 |
| 5 | MUY128S1003 | NEEDLE UYX128GAS #10-3 | | | | 1 |
| 6 | 13160304 | S SHAPED HOOK | | | | 2 |
| 7 | 26037903 | CHAIN | | | | 1 |
| 8 | 12288403 | TWEEZERS | | | | 1 |
| 9 | 22933303 | VINYL COVER | | | | 1 |
| 10 | 13160601 | FUNNEL | | | | 1 |
| 11 | 13302203 | SCREW | | | | 1 |
| 12 | 22933204 | SCREW DRIVER,SMALL | | | | 1 |
| 13 | 13142500 | CARTRIDGE_FILTER | | | | 1 |
| 14 | MML018900CA | JUKI MACHINE OIL 18 | | | | 1 |
| 15 | B9101490000 | DRIVER | | | | 1 |
| 16 | 13348958 | ASSY_BOLT | | | | 4 |
| 17 | 13348909 | BOLT | | * | | 1 |
| 18 | 13349006 | SPACER | | * | | 2 |
| 19 | WP1102016SC | WASHER 11X21X2 | | * | | 1 |
| 20 | WS1002560KR | SPRING WASHER 10X18X2.5 | | * | | 1 |
| 21 | NM6100003SC | NUT M10 | | * | | 1 |
| 22 | 13155403 | DUST-PROOF RUBBER | | | | 3 |
| 23 | 13348859 | SUPPORT_PLATE_ASSY | | | | 2 |
| 24 | 13348800 | SUPPORT PLATE | | * | | 1 |
| 25 | PS0800252KP | SPRING PIN | | * | | 2 |
| 26 | HX00150000C | CABLE CLIP | | | | 1 |
| 27 | SM4040655SP | SCREW M4 L=6 | | | | 1 |
| 28 | WT0430002KN | WASHER M4 | | | | 1 |
| 29 | SM4040501SN | SCREW M4X0.7 L=5 | | | | 1 |
| 30 | CM600100201 | WEEE INFORMATION SHEET | | | | 1 |
| 31 | 40072505 | ISOLATOR | | | | 1 |

LIST FOR INFORMATION OF CHANGE (1)

As to the place changed, refer to the corresponding Rev.No.
 When previous parts(Obsoleted part)and new parts(Added parts)are
 not interchangeable with each other:
 In this case,even obsoleted parts(D.)can be ordered with the
 obsoleted part number,so select the parts with changed dates and
 place your orders.

変更箇所は、該当Rev.No.版をご参照ください。
 部品の互換性がない変更の場合は、削除された品番でも、ご注文できます。

13370200
 No.1376-04 Rev.No.

*A:Added parts追加部品/D:Obsoleted parts削除部品/E:Erratum訂正

| * Rev. No. | Page 頁 | Ref. No. | Parts No. 品番 | * Rev. No. | Page 頁 | Ref. No. | Parts No. 品番 |
|------------|--------|----------|---------------|------------|--------|----------|---------------|
| D 03 | 2 | 3 | SM-8040412-TP | | | | |
| | | | | A 04 | 2 | 3 | 400-62154 |
| D 03 | 2 | 66 | 133-66109 | A 04 | 2 | 66 | 400-66085 |
| D 03 | 4 | 9 | 133-01106 | | | | |
| D 03 | 4 | 10 | SM-6060800-SP | | | | |
| D 03 | 4 | 11 | 133-01205 | | | | |
| D 03 | 4 | 31 | 133-01908 | | | | |
| D 03 | 4 | 32 | 133-02500 | | | | |
| | | | | A 04 | 4 | 32 | SM-6040750-TP |
| | | | | A 04 | 4 | 33 | 400-82196 |
| | | | | A 04 | 4 | 51 | TA-2351004-R0 |
| D 03 | 8 | 24 | 133-13051 | A 04 | 8 | 24 | 400-70573 |
| D 03 | 8 | 28 | 133-13507 | A 04 | 8 | 28 | 400-70559 |
| D 03 | 8 | 35 | SM-8040410-TP | A 04 | 8 | 35 | SM-8040412-TP |
| D 03 | 8 | 68 | SM-9062550-TP | A 04 | 8 | 68 | SM-6062550-TP |
| D 03 | 12 | 21 | 133-20650 | A 04 | 12 | 21 | 400-40206 |
| D 03 | 12 | 23 | 133-20809 | A 04 | 12 | 23 | 400-39630 |
| D 03 | 12 | 27 | 132-13012 | A 04 | 12 | 27 | 400-40207 |
| D 03 | 12 | 35 | 133-21302 | A 04 | 12 | 35 | 131-21603 |
| | | | | A 04 | 12 | 49 | SM-7051460-TP |
| D 03 | 14 | 25 | SM-8030350-TP | A 04 | 14 | 25 | SM-8030312-TP |
| D 03 | 16 | 9 | SM-8040410-TP | A 04 | 16 | 9 | SM-8040412-TP |
| D 03 | 18 | 35 | 133-33802 | A 04 | 18 | 35 | 400-56591 |
| D 03 | 22 | 24 | 133-38207 | A 04 | 22 | 24 | 400-50448 |
| D 03 | 22 | 27 | 133-38405 | A 04 | 22 | 27 | 400-50449 |
| | | | | A 04 | 22 | 33 | 400-52522 |
| D 03 | 24 | 7 | 133-41508 | | | | |
| D 03 | 24 | 9 | WP-0961046-SC | | | | |
| D 03 | 24 | 10 | 133-40252 | A 04 | 24 | 8 | 400-66136 |
| D 03 | 24 | 13 | 133-41706 | A 04 | 24 | 13 | 400-42363 |
| D 03 | 24 | 17 | 133-40401 | A 04 | 24 | 17 | 400-65784 |
| D 03 | 24 | 21 | 133-40807 | A 04 | 24 | 21 | 400-42362 |
| D 03 | 24 | 22 | 229-28907 | A 04 | 24 | 22 | 131-38201 |
| D 03 | 24 | 23 | 131-37609 | A 04 | 24 | 23 | 400-42366 |
| D 03 | 24 | 24 | 131-37906 | A 04 | 24 | 24 | 400-42365 |
| D 03 | 26 | 15 | 133-43504 | A 04 | 26 | 15 | 400-28110 |

HOW TO MAKE USE OF THIS PARTS LIST

1.Explanation of codes

1)"*"mark.....means this part is changed from the previous parts book.

As to the details of the change, refer to the "List for information of change".

2)"#01".....refer to "Note" explanation at bottom of page.

2.Codes on the "Qty" column

- Each numeral indicates the number of parts required.
- "0.1" and "2.5" indicate the length (in meters) of the respective parts.

3.Parentheses mean that the corresponding part is a subpart that constructs an assembly part.

4.Dotted lines on the Figures indicate assembly parts.

1."注記"欄の記号説明

1) "*"印.....前回のパーツブックに比較して今回変更された部品を意味します。

変更内容は、"変更情報リスト"を参照してください。

2) "#01".....ページ下の"注記"の説明を参照してください。

2.数量欄の数字は、個数を表し、0.1、2.5等の数値は、長さ（単位メートル）を表します。

3.数量欄の（ ）は、組部品を構成している子部品であることを意味します。

4.イラストページの-----枠は、組構成であることを意味します。

NUMERICAL INDEX OF PARTS

| PART NO | PAGE | REF NO. | PART NO | PAGE | REF NO. | PART NO | PAGE | REF NO. |
|----------|------|---------|----------|------|---------|----------|------|---------|
| 10753309 | 6 | 5 | 13302609 | 4 | 70 | 13308101 | 12 | 53 |
| 11856101 | 42 | 5 | 13302658 | 4 | 69 | 13308150 | 10 | 44 |
| 11856101 | 56 | 9 | 13302708 | 2 | 46 | 13308200 | 12 | 58 |
| 12288403 | 58 | 8 | 13302708 | 6 | 42 | 13308309 | 10 | 35 |
| 12347308 | 58 | 4 | 13303003 | 6 | 29 | 13308457 | 10 | 39 |
| 13121603 | 22 | 35 | 13303052 | 6 | 28 | 13308556 | 10 | 37 |
| 13123302 | 16 | 76 | 13303102 | 6 | 25 | 13308655 | 12 | 59 |
| 13123302 | 22 | 30 | 13303201 | 6 | 27 | 13308705 | 12 | 60 |
| 13138201 | 40 | 22 | 13303300 | 2 | 38 | 13308804 | 10 | 26 |
| 13140504 | 40 | 9 | 13303359 | 2 | 37 | 13309000 | 10 | 33 |
| 13142500 | 42 | 24 | 13303409 | 4 | 50 | 13309158 | 10 | 30 |
| 13142500 | 58 | 13 | 13303458 | 4 | 49 | 13309208 | 10 | 23 |
| 13155403 | 58 | 22·31 | 13303508 | 2 | 39 | 13309307 | 12 | 55~57 |
| 13160304 | 58 | 6 | 13303607 | 6 | 13 | 13309406 | 12 | 55~57 |
| 13160601 | 58 | 10 | 13303656 | 6 | 12 | 13311006 | 14 | 3 |
| 13167903 | 46 | 9 | 13303706 | 6 | 20 | 13311204 | 14 | 2 |
| 13168000 | 46 | 10 | 13303755 | 6 | 19 | 13311253 | 14 | 1 |
| 13168208 | 46 | 12 | 13303805 | 6 | 24 | 13311303 | 14 | 4 |
| 13168356 | 46 | 4 | 13303904 | 6 | 40 | 13311451 | 14 | 21 |
| 13168406 | 46 | 31 | 13304001 | 8 | 49 | 13311501 | 14 | 14 |
| 13168505 | 46 | 30 | 13304100 | 6 | 37 | 13311600 | 14 | 13 |
| 13168802 | 46 | 5 | 13304159 | 6 | 36 | 13311808 | 14 | 20 |
| 13170105 | 44 | 50 | 13304209 | 4 | 57 | 13311907 | 14 | 19 |
| 13217401 | 22 | 33 | 13304308 | 2 | 44 | 13311956 | 14 | 18 |
| 13217500 | 22 | 32 | 13304308 | 6 | 44 | 13312103 | 14 | 10~12 |
| 13217708 | 22 | 28 | 13304407 | 4 | 79 | 13312202 | 14 | 10~12 |
| 13227905 | 44 | 67 | 13304704 | 6 | 21 | 13312301 | 14 | 10~12 |
| 13228200 | 44 | 66 | 13304803 | 6 | 14 | 13313101 | 14 | 25 |
| 13228309 | 44 | 65 | 13304902 | 6 | 15 | 13313309 | 14 | 26 |
| 13300702 | 6 | 3 | 13305008 | 6 | 16 | 13313408 | 14 | 27 |
| 13300801 | 6 | 8 | 13305107 | 6 | 41 | 13313606 | 14 | 33 |
| 13300900 | 2 | 16 | 13305206 | 2 | 41 | 13313705 | 14 | 29 |
| 13300959 | 2 | 15 | 13305305 | 4 | 51 | 13313804 | 14 | 37 |
| 13301007 | 2 | 20 | 13307004 | 10 | 1 | 13313903 | 14 | 40 |
| 13301304 | 2 | 21 | 13307103 | 10 | 2 | 13313952 | 14 | 39 |
| 13301403 | 2 | 32 | 13307251 | 10 | 4 | 13314109 | 14 | 44 |
| 13301700 | 2 | 26 | 13307301 | 10 | 7 | 13314356 | 14 | 46 |
| 13301809 | 2 | 34 | 13307459 | 10 | 9 | 13314406 | 16 | 51 |
| 13302104 | 4 | 56 | 13307509 | 10 | 42 | 13314505 | 16 | 58 |
| 13302203 | 6 | 35 | 13307608 | 10 | 18 | 13314703 | 16 | 56 |
| 13302203 | 58 | 11 | 13307657 | 10 | 13 | 13314752 | 16 | 55 |
| 13302302 | 2 | 52 | 13307707 | 10 | 22 | 13314802 | 16 | 54 |
| 13302302 | 4 | 52 | 13307806 | 12 | 55~57 | 13314901 | 16 | 59 |
| 13302302 | 6 | 45 | 13307905 | 10 | 27 | 13315007 | 16 | 49 |
| 13302401 | 2 | 35 | 13308002 | 10 | 28 | 13315106 | 16 | 61 |

NUMERICAL INDEX OF PARTS

| PART NO | PAGE | REF NO. | PART NO | PAGE | REF NO. | PART NO | PAGE | REF NO. |
|----------|------|---------|----------|------|---------|----------|------|---------|
| 13315205 | 14 | 47 | 13321401 | 18 | 29 | 13326350 | 26 | 47 |
| 13315304 | 16 | 63 | 13321609 | 18 | 27 | 13326400 | 28 | 49 |
| 13315353 | 16 | 62 | 13321658 | 18 | 26 | 13326509 | 28 | 51 |
| 13315502 | 16 | 67 | 13321708 | 18 | 28 | 13326608 | 28 | 53 |
| 13315551 | 16 | 66 | 13321807 | 20 | 72 | 13326707 | 28 | 63 |
| 13315601 | 16 | 72 | 13321906 | 20 | 74 | 13326806 | 14 | 16 |
| 13315650 | 16 | 71 | 13322003 | 20 | 57 | 13326905 | 26 | 37 |
| 13315700 | 16 | 73 | 13322102 | 20 | 60 | 13327002 | 26 | 40 |
| 13315809 | 16 | 74 | 13322201 | 20 | 55 | 13327101 | 26 | 43 |
| 13315908 | 14 | 30 | 13322409 | 18 | 30 | 13328000 | 30 | 3 |
| 13316203 | 14 | 41 | 13322508 | 20 | 63 | 13328109 | 30 | 4 |
| 13316302 | 14 | 34 | 13322607 | 20 | 64 | 13328158 | 30 | 1 |
| 13317003 | 18 | 1 | 13322706 | 20 | 65 | 13328208 | 30 | 5 |
| 13317102 | 18 | 8 | 13322805 | 20 | 66 | 13328307 | 30 | 25 |
| 13317201 | 18 | 16 | 13322904 | 20 | 68 | 13328406 | 30 | 7 |
| 13317300 | 18 | 19 | 13323001 | 20 | 67 | 13328505 | 30 | 16 |
| 13317409 | 18 | 20~22 | 13323100 | 18 | 47 | 13328554 | 30 | 12 |
| 13317508 | 18 | 20~22 | 13323209 | 22 | 42 | 13328604 | 30 | 17 |
| 13317607 | 18 | 20~22 | 13323308 | 18 | 12~14 | 13328703 | 30 | 18 |
| 13317706 | 18 | 24 | 13323407 | 18 | 12~14 | 13328802 | 30 | 21 |
| 13317805 | 20 | 48 | 13323506 | 18 | 12~14 | 13329008 | 30 | 10 |
| 13317904 | 18 | 44 | 13323605 | 20 | 71 | 13329107 | 30 | 11 |
| 13318001 | 18 | 35 | 13323803 | 18 | 9 | 13329206 | 30 | 28 |
| 13318100 | 18 | 36 | 13324009 | 10 | 16 | 13329404 | 30 | 23 |
| 13318209 | 18 | 34 | 13324108 | 12 | 49 | 13331004 | 32 | 16 |
| 13318308 | 18 | 41 | 13324207 | 10 | 17 | 13331202 | 32 | 1 |
| 13318506 | 20 | 50 | 13324306 | 26 | 3 | 13331301 | 32 | 6 |
| 13318605 | 22 | 20 | 13324504 | 26 | 5 | 13331400 | 32 | 12 |
| 13318704 | 22 | 1~3 | 13324603 | 26 | 8 | 13332002 | 32 | 33 |
| 13318803 | 22 | 1~3 | 13324702 | 26 | 10 | 13332101 | 32 | 38 |
| 13318902 | 22 | 1~3 | 13324801 | 26 | 12 | 13332309 | 32 | 23 |
| 13319009 | 22 | 10 | 13324900 | 26 | 13 | 13332507 | 32 | 3~5 |
| 13319108 | 20 | 49 | 13325006 | 26 | 15 | 13332606 | 32 | 11 |
| 13319108 | 22 | 14 | 13325105 | 26 | 17 | 13332705 | 34 | 48 |
| 13319207 | 22 | 11 | 13325204 | 26 | 23 | 13332804 | 32 | 28 |
| 13319355 | 22 | 17 | 13325402 | 26 | 28 | 13332903 | 32 | 26 |
| 13319504 | 22 | 19 | 13325501 | 26 | 30 | 13333000 | 32 | 3~5 |
| 13319702 | 18 | 32 | 13325600 | 26 | 34 | 13333109 | 32 | 3~5 |
| 13319900 | 22 | 8 | 13325709 | 26 | 31 | 13333208 | 14 | 42 |
| 13319959 | 22 | 4 | 13325808 | 28 | 57 | 13333208 | 32 | 25 |
| 13320007 | 22 | 9 | 13325907 | 28 | 58 | 13333307 | 32 | 41 |
| 13320106 | 22 | 5 | 13326004 | 28 | 59 | 13333406 | 32 | 42 |
| 13320304 | 22 | 36 | 13326103 | 28 | 60 | 13333505 | 32 | 43 |
| 13320403 | 22 | 37 | 13326202 | 28 | 61 | 13333604 | 32 | 44 |
| 13321203 | 22 | 24 | 13326301 | 28 | 48 | 13333703 | 32 | 14 |

NUMERICAL INDEX OF PARTS

| PART NO | PAGE | REF NO. | PART NO | PAGE | REF NO. | PART NO | PAGE | REF NO. |
|----------|------|---------|----------|------|---------|----------|------|---------|
| 13334107 | 36 | 6 | 13343405 | 44 | 68 | 13353800 | 52 | 5 |
| 13334206 | 36 | 11 | 13343603 | 42 | 3 | 13353909 | 52 | 51 |
| 13334305 | 36 | 24 | 13343652 | 42 | 2 | 13353909 | 54 | 51 |
| 13334404 | 36 | 13 | 13343801 | 42 | 25 | 13354204 | 48 | 5 |
| 13334503 | 36 | 17 | 13343900 | 42 | 1 | 13357603 | 48 | 27 |
| 13334602 | 36 | 19 | 13344056 | 42 | 7 | 13357702 | 52 | 6 |
| 13334701 | 36 | 21 | 13344155 | 42 | 12 | 13357801 | 52 | 52 |
| 13334909 | 36 | 10 | 13344205 | 42 | 4 | 13357801 | 54 | 52 |
| 13335005 | 36 | 15 | 13344502 | 42 | 9 | 13358304 | 48 | 6 |
| 13335203 | 36 | 16 | 13344601 | 42 | 8 | 13365002 | 2 | 9 |
| 13337001 | 12 | 51 | 13344700 | 42 | 10 | 13365101 | 2 | 11 |
| 13337100 | 10 | 45 | 13344809 | 42 | 23 | 13365200 | 4 | 76 |
| 13337209 | 12 | 52 | 13345053 | 42 | 20 | 13365259 | 4 | 74 |
| 13337308 | 38 | 4 | 13345202 | 42 | 21 | 13365309 | 4 | 77 |
| 13337357 | 38 | 1 | 13345400 | 44 | 64 | 13365408 | 4 | 81 |
| 13337407 | 38 | 5 | 13345459 | 44 | 60 | 13365507 | 4 | 75 |
| 13337506 | 38 | 3 | 13345509 | 44 | 48 | 13366000 | 4 | 61 |
| 13337605 | 38 | 11 | 13345608 | 44 | 52 | 13366208 | 4 | 63 |
| 13337704 | 38 | 19 | 13345855 | 42 | 28 | 13366307 | 4 | 80 |
| 13337803 | 38 | 21 | 13345905 | 44 | 55 | 13375001 | 48 | 29 |
| 13337902 | 38 | 29 | 13346101 | 44 | 59 | 13375050 | 48 | 28 |
| 13338009 | 38 | 23 | 13346259 | 42 | 30 | 13375100 | 48 | 35 |
| 13338108 | 38 | 25 | 13346309 | 44 | 53 | 13375209 | 48 | 53 |
| 13338306 | 38 | 18 | 13346408 | 42 | 14 | 13375209 | 50 | 53 |
| 13338504 | 38 | 15 | 13346556 | 42 | 26 | 13375308 | 48 | 42 |
| 13338603 | 38 | 17 | 13346606 | 44 | 57 | 13375407 | 48 | 41 |
| 13338702 | 38 | 8 | 13346705 | 42 | 44 | 13375506 | 48 | 30 |
| 13338801 | 38 | 32 | 13348008 | 26 | 18 | 13375605 | 48 | 37 |
| 13338900 | 30 | 29 | 13348206 | 56 | 6 | 13375704 | 48 | 36 |
| 13338900 | 38 | 26 | 13348305 | 56 | 8 | 13376009 | 48 | 9 |
| 13340005 | 40 | 1 | 13348800 | 58 | 24 | 13376058 | 48 | 7 |
| 13340104 | 40 | 2 | 13348859 | 58 | 23 | 13376504 | 52 | 61 |
| 13340203 | 40 | 14 | 13348909 | 58 | 17 | 13376504 | 54 | 61 |
| 13340302 | 40 | 15 | 13348958 | 58 | 16 | 13376603 | 52 | 63 |
| 13340500 | 40 | 11 | 13349006 | 58 | 18 | 13376603 | 54 | 63 |
| 13340609 | 40 | 19 | 13350103 | 52 | 1 | 13376702 | 52 | 64 |
| 13340708 | 40 | 20 | 13350202 | 48 | 1 | 13376702 | 54 | 64 |
| 13340906 | 40 | 10 | 13350301 | 48 | 22 | 13376801 | 52 | 68 |
| 13341359 | 40 | 5 | 13350301 | 52 | 24 | 13376801 | 54 | 68 |
| 13341409 | 40 | 6 | 13350400 | 48 | 43 | 13376900 | 48 | 39 |
| 13341607 | 40 | 18 | 13350400 | 52 | 47 | 13377007 | 48 | 40 |
| 13343009 | 44 | 62 | 13351408 | 52 | 4 | 13377106 | 48 | 55 |
| 13343108 | 44 | 61 | 13351606 | 52 | 27 | 13377106 | 50 | 55 |
| 13343207 | 44 | 69 | 13351705 | 54 | 50 | 13377205 | 52 | 57 |
| 13343306 | 44 | 70 | 13353701 | 48 | 26 | 13377205 | 54 | 57 |

NUMERICAL INDEX OF PARTS

| PART NO | PAGE | REF NO. | PART NO | PAGE | REF NO. | PART NO | PAGE | REF NO. |
|----------|------|---------|----------|------|---------|-------------|------|---------|
| 13377304 | 52 | 58 | 40023481 | 32 | 19 | 40070573 | 14 | 24 |
| 13377304 | 54 | 58 | 40028110 | 42 | 15 | 40072505 | 58 | 22·31 |
| 13378005 | 54 | 70 | 40033340 | 2 | 24 | 40072506 | 46 | 1 |
| 13398409 | 22 | 16 | 40033341 | 2 | 25 | 40082196 | 6 | 33 |
| 13399209 | 30 | 8 | 40033518 | 2 | 23 | 40082974 | 48 | 47 |
| 13426903 | 6 | 9 | 40039630 | 22 | 23 | 40082975 | 50 | 50 |
| 13429105 | 56 | 2 | 40040206 | 22 | 21 | B1426180A00 | 18 | 3~6 |
| 22901805 | 2 | 12 | 40040207 | 22 | 27 | B1426180B00 | 18 | 3~6 |
| 22902506 | 2 | 17 | 40040513 | 48 | 46 | B1426180C00 | 18 | 3~6 |
| 22924708 | 6 | 7 | 40040514 | 48 | 4 | B1426180D00 | 18 | 3~6 |
| 22930309 | 46 | 13 | 40042362 | 40 | 21 | B2008372000 | 40 | 16 |
| 22930408 | 46 | 7 | 40042363 | 40 | 13 | B2556280000 | 20 | 54 |
| 22930705 | 46 | 29 | 40042365 | 40 | 24 | B3121804000 | 40 | 12 |
| 22930804 | 46 | 17 | 40042366 | 40 | 23 | B3215470000 | 18 | 39 |
| 22930903 | 46 | 16 | 40050448 | 38 | 24 | B3538112000 | 56 | 10 |
| 22931000 | 46 | 15 | 40050449 | 38 | 27 | B9101490000 | 58 | 15 |
| 22931109 | 46 | 14 | 40052522 | 38 | 33 | B9213850000 | 26 | 19 |
| 22931307 | 46 | 8 | 40056403 | 52 | 56 | B9214850000 | 26 | 20 |
| 22931406 | 46 | 6 | 40056403 | 54 | 56 | BP30000010R | 42 | 42 |
| 22932800 | 58 | 1 | 40056404 | 52 | 59 | BT0600402EA | 56 | 4 |
| 22933006 | 58 | 2 | 40056404 | 54 | 59 | CM300200001 | 2 | 13 |
| 22933105 | 58 | 3 | 40056405 | 52 | 31 | CM3002000A1 | 4 | 71 |
| 22933204 | 58 | 12 | 40056406 | 54 | 54 | CM3002001B1 | 6 | 2 |
| 22933303 | 58 | 9 | 40056407 | 54 | 71 | CM600100101 | 4 | 83 |
| 22945505 | 28 | 52 | 40056410 | 52 | 30 | CM600100201 | 58 | 30 |
| 22945802 | 28 | 50 | 40056411 | 54 | 53 | CQ303000000 | 18 | 23 |
| 23537202 | 16 | 50 | 40056412 | 52 | 55 | CQ303000000 | 22 | 43 |
| 23612609 | 26 | 9 | 40056412 | 54 | 55 | CQ303000000 | 30 | 13 |
| 23629306 | 42 | 40 | 40056504 | 52 | 7 | CQ303000000 | 56 | 5 |
| 23629504 | 42 | 43 | 40056505 | 52 | 8 | CS0800881TP | 16 | 52 |
| 23630007 | 42 | 11 | 40056591 | 32 | 35 | CS1000881TP | 20 | 61 |
| 26037903 | 58 | 7 | 40056675 | 46 | 11 | CS1000881TP | 22 | 40 |
| 30391601 | 26 | 24 | 40056919 | 56 | 1 | CS1000881TP | 26 | 6 |
| 31013808 | 22 | 39 | 40058033 | 48 | 25 | CS1000881TP | 30 | 19 |
| 40004749 | 44 | 74 | 40062154 | 2 | 3 | CS1000881TP | 32 | 17 |
| 40018259 | 14 | 31 | 40065784 | 40 | 17 | HX00150000C | 58 | 26 |
| 40018443 | 22 | 38 | 40066085 | 4 | 66 | MML018900CA | 58 | 14 |
| 40018923 | 36 | 5 | 40066136 | 40 | 8 | MUY128S1000 | 48 | 44 |
| 40018946 | 6 | 11 | 40070224 | 50 | 51 | MUY128S1000 | 52 | 48 |
| 40018947 | 36 | 1 | 40070226 | 50 | 56 | MUY128S1000 | 54 | 48 |
| 40019163 | 42 | 13 | 40070227 | 50 | 57 | MUY128S1003 | 58 | 5 |
| 40019335 | 32 | 21 | 40070229 | 50 | 63 | NM6030001SD | 50 | 58 |
| 40020538 | 32 | 15 | 40070230 | 50 | 62 | NM6030001SD | 52 | 69 |
| 40023042 | 32 | 34 | 40070231 | 50 | 60 | NM6030001SD | 54 | 69 |
| 40023441 | 32 | 20 | 40070559 | 14 | 28 | NM6030001SN | 32 | 45 |

NUMERICAL INDEX OF PARTS

| PART NO | PAGE | REF NO. | PART NO | PAGE | REF NO. | PART NO | PAGE | REF NO. |
|-------------|------|---------|-------------|------|---------|-------------|------|---------|
| NM6040000SN | 4 | 78 | RO158240100 | 18 | 11 | SM4040655SP | 58 | 27 |
| NM6040001SP | 2 | 60 | RO195240100 | 6 | 6 | SM4040855SP | 12 | 54 |
| NM6040001SP | 4 | 60 | SB108002100 | 32 | 8 | SM4041001SC | 46 | 21 |
| NM6040001SP | 42 | 16 | SB120001500 | 36 | 23 | SM4041055SP | 2 | 58 |
| NM6040002SE | 46 | 25 | SB120001900 | 10 | 19 | SM4041055SP | 4 | 58 |
| NM6050001SE | 46 | 20 | SB30800110A | 14 | 5~8 | SM4041055SP | 6 | 48 |
| NM6050001SP | 18 | 43 | SB30800110B | 14 | 5~8 | SM4041055SP | 8 | 48 |
| NM6050001SP | 28 | 54 | SB30800110C | 14 | 5~8 | SM4041055SP | 26 | 14 |
| NM6050001SP | 30 | 27 | SB30800110D | 14 | 5~8 | SM4041055SP | 40 | 25 |
| NM6050001SP | 38 | 14 | SD0640246SP | 2 | 30 | SM4041055SP | 42 | 22 |
| NM6050001SP | 42 | 46 | SD0640246SP | 32 | 30 | SM4041201SC | 46 | 23 |
| NM6060001CP | 16 | 69 | SD0700206TP | 14 | 45 | SM4041655SP | 40 | 7 |
| NM6060001SE | 46 | 34 | SD0700586TP | 16 | 65 | SM4042001SC | 46 | 24 |
| NM6100003SC | 58 | 21 | SD0801326TH | 18 | 33 | SM4050855SP | 4 | 73 |
| NM6160511SE | 46 | 28 | SK3382001SE | 46 | 32 | SM4050855SP | 56 | 3 |
| PH0300162C0 | 52 | 66 | SL4040805SC | 44 | 58 | SM4051055SP | 10 | 46 |
| PH0300162C0 | 54 | 66 | SL4041281SC | 32 | 24 | SM4051255SP | 4 | 72 |
| PH0500400C0 | 2 | 40 | SL4051485SC | 4 | 53 | SM4051255SP | 20 | 52 |
| PS0150065KP | 50 | 64 | SM0081001SD | 44 | 51 | SM4051255SP | 22 | 34 |
| PS0150082KH | 26 | 21 | SM1030400SP | 20 | 69 | SM4051405SE | 46 | 19 |
| PS0300162KH | 18 | 45 | SM1030800SM | 32 | 10 | SM4061201SE | 46 | 33 |
| PS0400082KP | 10 | 34 | SM1040800SP | 6 | 18 | SM4850455SP | 26 | 42 |
| PS0500142KP | 16 | 60 | SM1040800SP | 26 | 46 | SM4850455SP | 32 | 47 |
| PS0800252KP | 58 | 25 | SM1041400SP | 6 | 22 | SM4850455SP | 36 | 22 |
| RC0100001KP | 22 | 13 | SM1850600SP | 48 | 59 | SM5040655SN | 22 | 26 |
| RC0650811KP | 36 | 14 | SM1850600SP | 50 | 59 | SM6030500SN | 14 | 36 |
| RC0741013KP | 22 | 15 | SM4030455SN | 2 | 28 | SM6030600SP | 22 | 7 |
| RC1900002KP | 6 | 10 | SM4030455SP | 14 | 32 | SM6030600SP | 56 | 7 |
| RC2251213KP | 18 | 7 | SM4030455SP | 26 | 33 | SM6040600SP | 44 | 72 |
| RC2800002KP | 32 | 9 | SM4030455SP | 52 | 65 | SM6040610SC | 4 | 68 |
| RC4381514KP | 2 | 2 | SM4030455SP | 54 | 65 | SM6040750TP | 6 | 32 |
| RC4881514KP | 2 | 1 | SM4030655SP | 14 | 17 | SM6040750TP | 38 | 30 |
| RE0300000K0 | 2 | 42 | SM4030655SP | 26 | 45 | SM6040800SP | 6 | 26 |
| RE0300000K0 | 6 | 38 | SM4030855SN | 26 | 26 | SM6040800SP | 12 | 48 |
| RE0300000K0 | 16 | 77 | SM4040501SN | 58 | 29 | SM6040800SP | 20 | 76 |
| RE0300000K0 | 22 | 31 | SM4040655SP | 2 | 59 | SM6040800SP | 28 | 56 |
| RE0500000K0 | 18 | 42 | SM4040655SP | 4 | 59 | SM6040800SP | 30 | 24 |
| RE0700000K0 | 36 | 8 | SM4040655SP | 6 | 47 | SM6040800SP | 36 | 20 |
| RE0700000K0 | 38 | 10 | SM4040655SP | 26 | 62 | SM6040800SP | 48 | 52 |
| RO055200100 | 18 | 38 | SM4040655SP | 28 | 62 | SM6040800SP | 50 | 52 |
| RO068190100 | 22 | 22 | SM4040655SP | 32 | 29 | SM6040800SP | 52 | 62 |
| RO074240100 | 16 | 79 | SM4040655SP | 40 | 4 | SM6040800SP | 54 | 62 |
| RO137230100 | 20 | 58 | SM4040655SP | 42 | 77 | SM6041000SP | 14 | 38 |
| RO148240200 | 10 | 41 | SM4040655SP | 44 | 77 | SM6041000SP | 18 | 70 |
| RO148240200 | 36 | 25 | SM4040655SP | 56 | 11 | SM6041000SP | 20 | 70 |

NUMERICAL INDEX OF PARTS

| PART NO | PAGE | REF NO. | PART NO | PAGE | REF NO. | PART NO | PAGE | REF NO. |
|-------------|------|---------|-------------|------|---------|-------------|------|---------|
| SM6041000SP | 38 | 20 | SM8031002TP | 50 | 49 | TA0500601M0 | 22 | 45 |
| SM6041002TP | 6 | 50 | SM8040360TP | 2 | 47 | TA0500601M0 | 38 | 16 |
| SM6041002TP | 8 | 50 | SM8040360TP | 6 | 46 | TA0850604R0 | 6 | 43 |
| SM6041200SP | 14 | 43 | SM8040412TP | 14 | 35 | TA1050504R0 | 2 | 18 |
| SM6041200SP | 30 | 22 | SM8040412TP | 18 | 40 | TA1250406R0 | 2 | 5 |
| SM6041202TP | 10 | 14 | SM8040412TP | 30 | 9 | TA1600406R0 | 36 | 7 |
| SM6041202TP | 16 | 64 | SM8040412TP | 36 | 4 | TA1600406R0 | 38 | 7 |
| SM6041202TP | 36 | 3 | SM8040602TP | 18 | 37 | TA1701002R0 | 2 | 6 |
| SM6041202TP | 38 | 2 | SM8040612TP | 20 | 59 | TA2050406R0 | 2 | 4 |
| SM6042000SP | 44 | 71 | SM8050412TP | 16 | 53 | TA2050416R0 | 2 | 8 |
| SM6050800SP | 4 | 82 | SM8050412TP | 18 | 62 | TA2101002R0 | 2 | 7 |
| SM6050800SP | 6 | 34 | SM8050412TP | 20 | 62 | TA2351004R0 | 8 | 51 |
| SM6050800SP | 36 | 18 | SM8050412TP | 22 | 48 | WP0280500SC | 32 | 46 |
| SM6051000SP | 14 | 15 | SM8050412TP | 24 | 48 | WP0280500SC | 50 | 48 |
| SM6051002TP | 26 | 1 | SM8050412TP | 26 | 7 | WP0280501SC | 26 | 41 |
| SM6051202TP | 16 | 57 | SM8050412TP | 30 | 20 | WP0280501SC | 32 | 36 |
| SM6051400SP | 4 | 54 | SM8050412TP | 32 | 18 | WP0320501SC | 26 | 44 |
| SM6051402TP | 26 | 11 | SM8050412TP | 36 | 12 | WP0410516SD | 32 | 32 |
| SM6051402TP | 38 | 28 | SM8050412TP | 44 | 63 | WP0450826SC | 4 | 67 |
| SM6051602TP | 18 | 18 | SM8050612TP | 38 | 12 | WP0450826SC | 22 | 25 |
| SM6051602TP | 44 | 76 | SM8050812TP | 18 | 73 | WP0450826SC | 28 | 55 |
| SM6060800SP | 2 | 31 | SM8050812TP | 20 | 73 | WP0460556SD | 16 | 75 |
| SM6060800SP | 16 | 78 | SM8060552TP | 18 | 56 | WP0460556SD | 22 | 29 |
| SM6061002TP | 16 | 48 | SM8060552TP | 20 | 56 | WP0461516SH | 38 | 22 |
| SM6061200SP | 10 | 25 | SM8060552TP | 22 | 46 | WP0480856SP | 20 | 75 |
| SM6061202TP | 16 | 70 | SM8060552TP | 32 | 22 | WP0522016SH | 26 | 4 |
| SM6061202TP | 22 | 18 | SM8060612TP | 10 | 43 | WP0531001SC | 4 | 64 |
| SM6061402TP | 10 | 47 | SM8060612TP | 30 | 15 | WP0550800SP | 2 | 43 |
| SM6061402TP | 22 | 6 | SM8060612TP | 36 | 2 | WP0550800SP | 6 | 39 |
| SM6061402TP | 30 | 6 | SM8060612TP | 38 | 31 | WP0550800SP | 30 | 26 |
| SM6061610SC | 46 | 18 | SM8060812TP | 10 | 36 | WP0550800SP | 38 | 13 |
| SM6061802TP | 44 | 49 | SM8060812TP | 42 | 6 | WP0550800SP | 44 | 75 |
| SM6062550TP | 16 | 68 | SM8060842TP | 10 | 31 | WP0621016SD | 22 | 47 |
| SM6850300SP | 52 | 60 | SM8061212TP | 10 | 29 | WP0702026SP | 14 | 22 |
| SM6850300SP | 54 | 60 | SM8080812TP | 10 | 24 | WP1021026SH | 36 | 9 |
| SM6850400SP | 50 | 61 | SM9061050TP | 30 | 14 | WP1021026SH | 38 | 9 |
| SM7051460TP | 24 | 49 | SQ0000452MZ | 42 | 35 | WP1022016SH | 30 | 30 |
| SM8030312TP | 26 | 25 | SQ0000453MZ | 42 | 33 | WP1102016SC | 58 | 19 |
| SM8030350TP | 48 | 45 | SQ0000454MZ | 42 | 32 | WP1612616SE | 46 | 26 |
| SM8030350TP | 52 | 49 | SQ2050452MZ | 42 | 45 | WS0510002KN | 28 | 64 |
| SM8030350TP | 54 | 49 | SQ2060441SD | 42 | 36 | WS0510002KN | 46 | 3 |
| SM8030412TP | 48 | 54 | SQ2060442SD | 42 | 34 | WS0510002KP | 12 | 50 |
| SM8030412TP | 50 | 54 | SQ2060451MZ | 44 | 73 | WS0510002KP | 26 | 2 |
| SM8030500SP | 52 | 67 | SS7110510SP | 2 | 14 | WS1002560KR | 58 | 20 |
| SM8030500SP | 54 | 67 | ST4040851SN | 26 | 22 | WS1643202KR | 46 | 27 |

NUMERICAL INDEX OF PARTS

| PART NO | PAGE | REF NO. |
|-------------|------|---------|
| WT0430002KN | 58 | 28 |
| WZ0641510KP | 2 | 27 |
| WZ0641510KP | 32 | 31 |
| WZ1052010KP | 14 | 23 |