

MODEL : DLN-9010

List No : 1331-04

# PARTS LIST

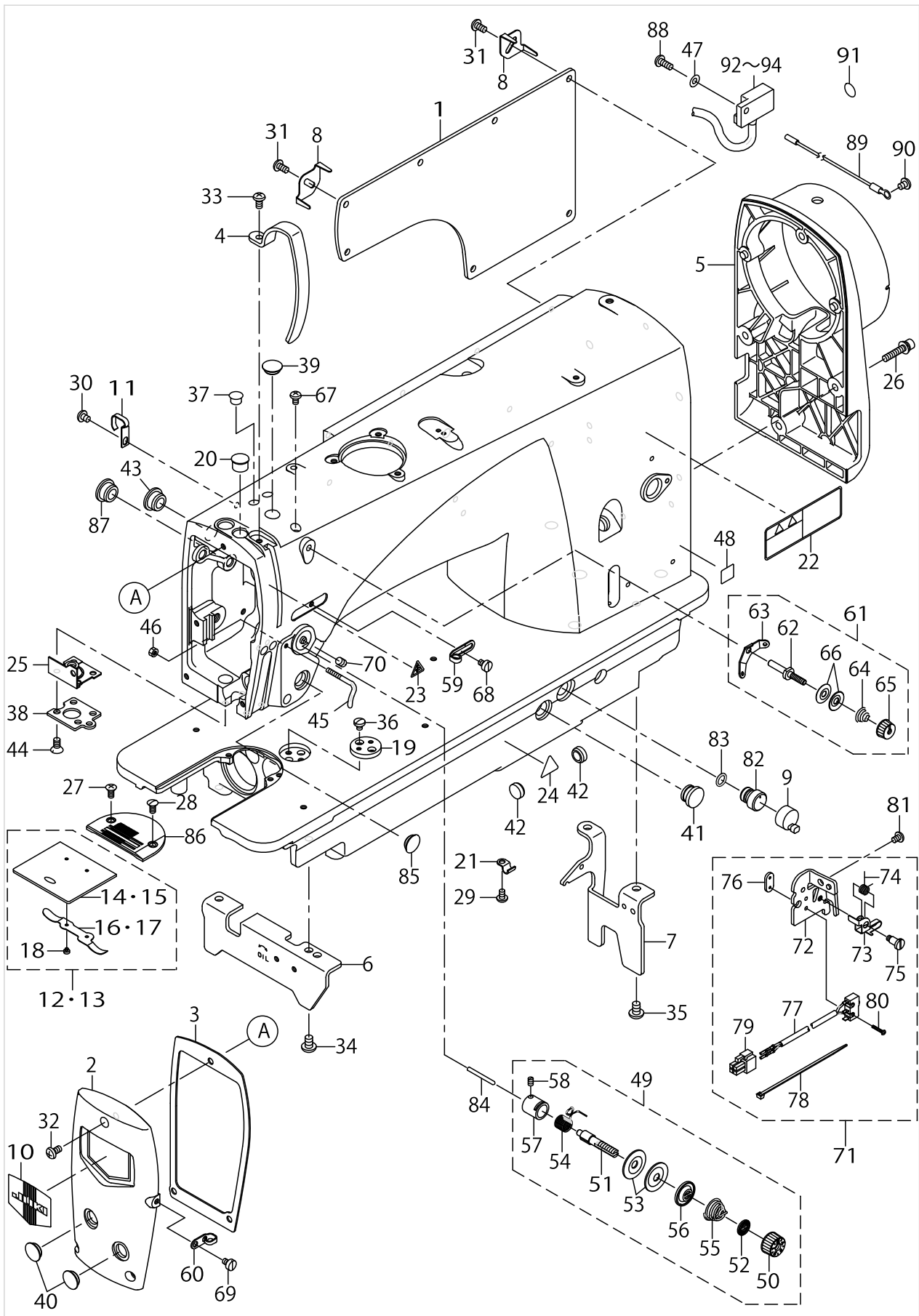
Published:02/15/2019

## CONTENTS

---

MACHINE FRAME & MISCELLANEOUS COVER COMPONENTS .....	1
BOBBIN WINDER COMPONENTS.....	7
MAIN SHAFT & NEEDLE BAR COMPONENTS.....	9
HAND LIFTER & TENSION RELEASE COMPONENTS.....	13
FEED ADJUST MECHANISM COMPONENTS .....	17
HORIZONTAL FEED & VERTICAL FEED AND HOOK DRIVING SHAFT COMPONENTS.....	21
THREAD TRIMMER COMPONENTS .....	25
NEEDLE BAR FRAME COMPONENTS.....	29
OIL LUBRICATION COMPONENTS .....	31
AUTOMATIC REVERSE FEED COMPONENTS.....	35
WIPER COMPONENTS.....	37
THREAD STAND COMPONENTS.....	39
UNDER COVER COMPONENTS .....	41
ACCESSORIE PART COMPONENTS .....	43
EXCLUSIVE PART FOR DLN-9010SH-WB, -0B.....	45
TABLE & STAND COMPONENTS.....	49
LIST FOR INFORMATION OF CHANGE.....	51
HOW TO MAKE USE OF THIS PARTS LIST .....	52

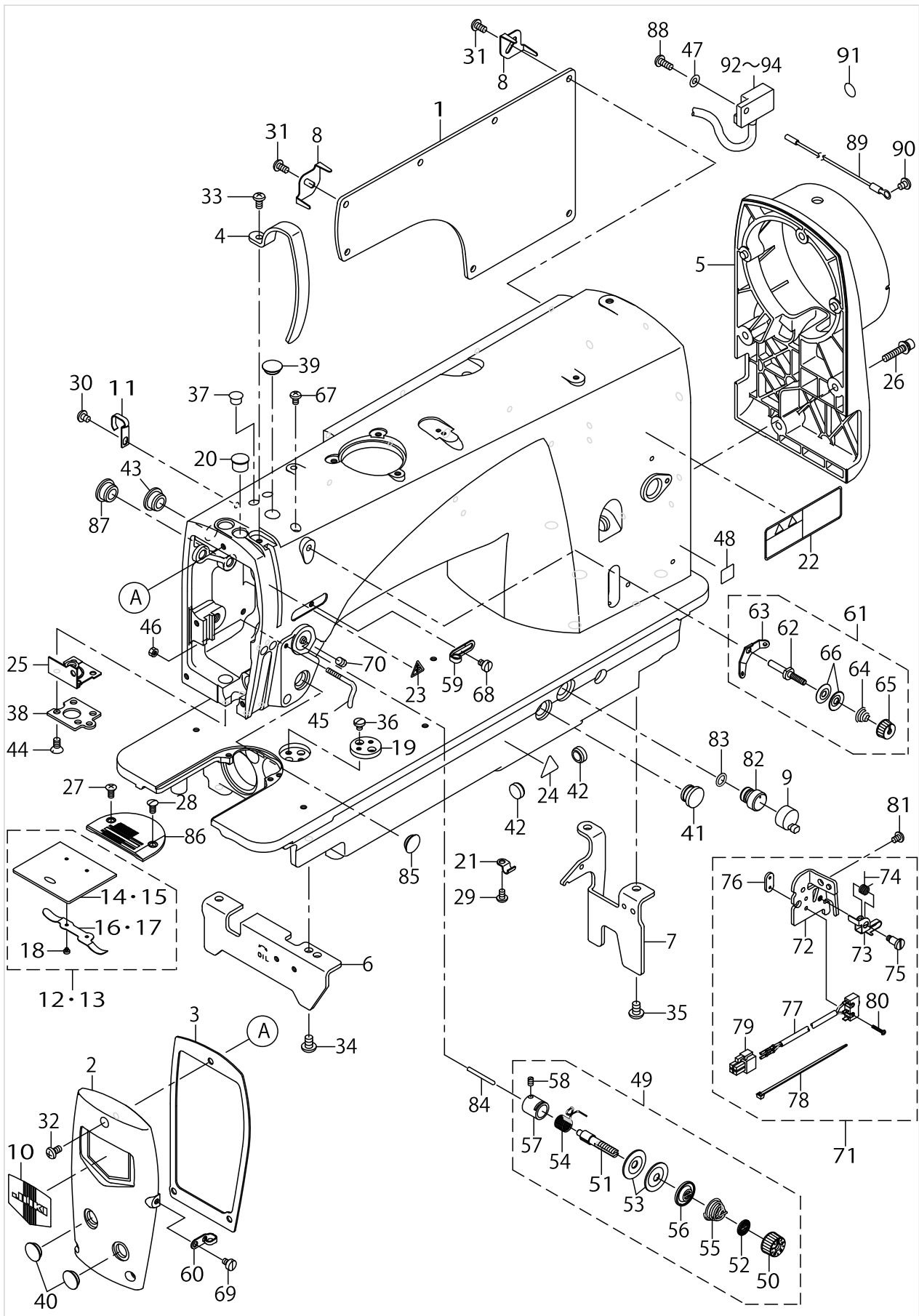
MACHINE FRAME & MISCELLANEOUS COVER COMPONENTS



MACHINE FRAME & MISCELLANEOUS COVER COMPONENTS

No.	Parts No.	Parts name	Remarks	Level	Cons	Qty
1	23600208	SIDE PLATE				1
2	40000209	FACE PLATE				1
3	40000210	FACE PLATE PACKING				1
4	23600505	THREAD TAKE-UP LEVER COVER				1
5	23600604	PULLEY COVER				1
6	23600703	BED STUD A				1
7	23600802	BED STUD B				1
8	22954705	CORD FIXING METAL FITTING				2
9	23601305	AIR-DISCHARGING CAP				1
10	22902506	FACE PLATE				1
11	40022407	CORD HOLDER				1
12	22901250	SLIDE PLATE ASM.	FOR JE,JA			1
13	22902753	SLIDE PLATE ASM.	FOR GENERAL EXPORT			1
14	22901201	SLIDE PLATE	FOR JE,JA	*		1
15	22902704	SLIDE PLATE	FOR GENERAL EXPORT	*		1
16	22901300	SLIDE PLATE SPRING	FOR JE,JA	*		1
17	22901300	SLIDE PLATE SPRING	FOR GENERAL EXPORT	*		1
18	SS6060210SP	SCREW 3/32-56 L= 1.9		*		2
19	22902605	RULER STOP SEAT				1
20	TA1250804R0	RUBBER PLUG				1
21	B3538112000	OIL RETURN TUBE HOLDER				1
22	CM301300001	SAFETY LABEL				1
23	CM300200001	ATTENTION SEAL				1
24	CM300200003	ATTENTION LABEL				1
25	40000212	PRESSING PLATE PACKING				1
26	SL6052592TN	BOLT				4
27	SS2110915SP	SCREW 11/64-40 L=8.5				1
28	SS2110920TP	SCREW 11/64-40 L=8.5				1
29	SS4110715SP	SCREW 11/64-40 L=7				1
30	SS4120615SP	SCREW 3/16-28 L=6	FOR DLN-9010SS,SH (-0B)			1
31	SS4120915SP	SCREW 3/16-28 L=9				7
32	SS4120915SP	SCREW 3/16-28 L=9				3
33	SS4120915SP	SCREW 3/16-28 L=9				1
34	SS4150915SP	SCREW 15/64-28 L=9				2
35	SS4150915SP	SCREW 15/64-28 L=9				2
36	SS7110540SP	SCREW 11/64-40 L=5				2
37	TA0850604R0	RUBBER PLUG				1
38	11300407	PRESSER BAR SUPPORT				1
39	TA1250406R0	RUBBER PLUG D=12.5 L=4				1
40	TA1250406R0	RUBBER PLUG D=12.5 L=4				2
41	TA1250705R0	RUBBER PLUG				1
42	TA1270502R0	RUBBER PLUG				2
43	TA1470704R0	RUBBER PLUG				1
44	SS1120710SP	SCREW 3/16-28 L=6.5				4
45	11305513	ARM THREAD GUIDE, C				1
46	NS6090310SP	NUT 9/64-40				1
47	WP0501016SD	WASHER 5X10.5X1				1

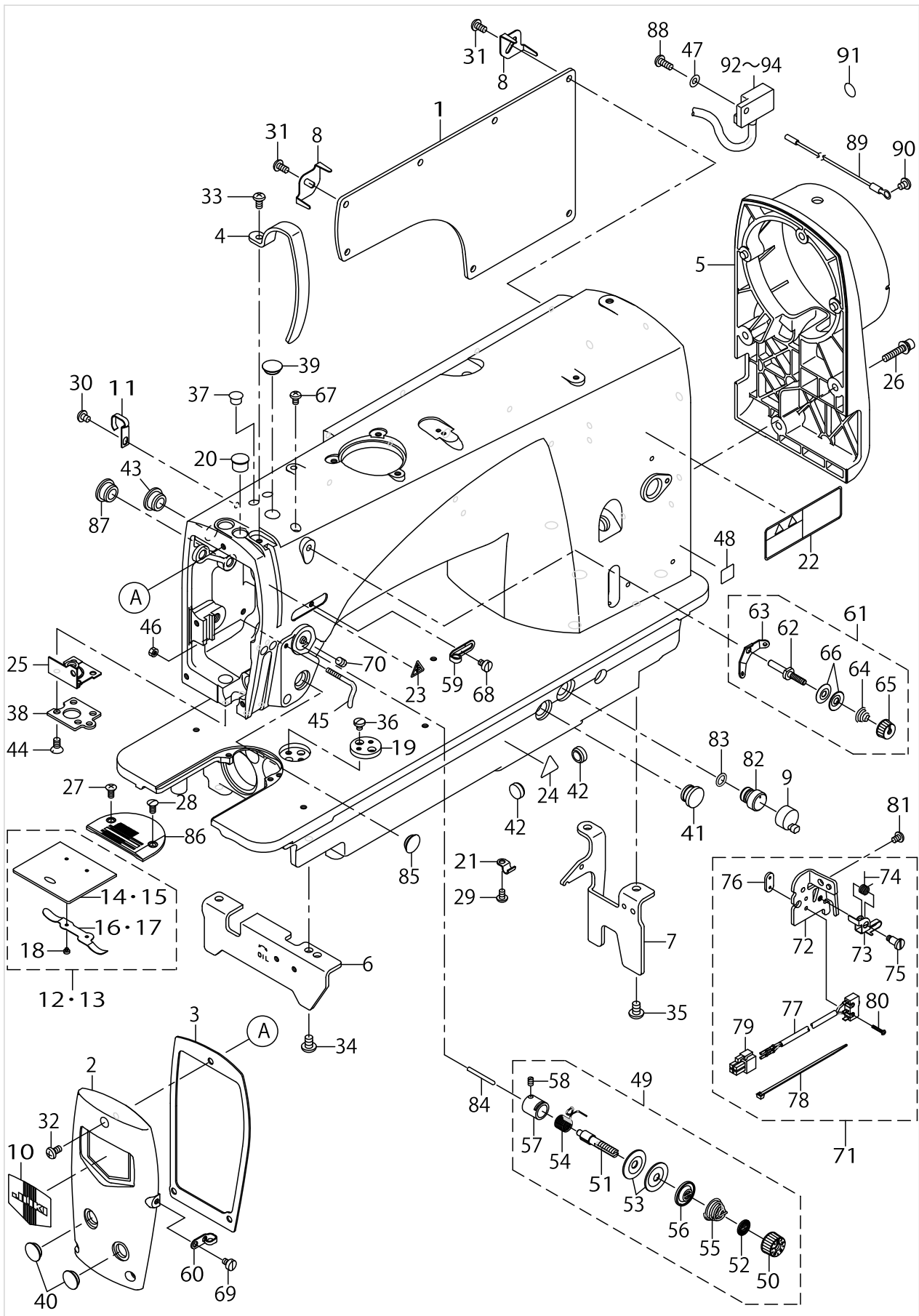
MACHINE FRAME & MISCELLANEOUS COVER COMPONENTS



MACHINE FRAME & MISCELLANEOUS COVER COMPONENTS

No.	Parts No.	Parts name	Remarks	Level	Cons	Qty
48	CM600100101	WEEE MARK LABEL S	FOR JE			1
49	23626054	THREAD TENSION ASM.				1
50	23626005	THREAD TENSION NUT		*		1
51	22921209	THREAD TENSION POST		*		1
52	22921407	ROTATION STOPPER		*		1
53	22921506	THREAD TENSION DISK		*		2
54	22921605	THREAD TAKE-UP SPRING		*		1
55	22921704	THREAD TENSION SPRING, A		*		1
56	22921803	DISK STOPPER		*		1
57	22945307	THREAD TENSION POST BASE		*		1
58	SS8090670SP	SCREW 9/64-40 L= 5.5		*		1
59	23626104	ARM THREAD GUIDE A				1
60	22920607	ARM THREAD GUIDE B				1
61	22945463	THREAD TENSION ASM. ,NO.1				1
62	22945414	THREAD TENSION POST		*		1
63	22945604	THREAD TENSION GUIDE		*		1
64	22945505	THREAD TENSION SPRING		*		1
65	22945703	THREAD TENSION NUT		*		1
66	22945802	THREAD TENSION DISK		*		2
67	SS4110715SP	SCREW 11/64-40 L=7				1
68	SS6110610TP	SCREW 11/64-40 L=6				1
69	SS6110610TP	SCREW 11/64-40 L=6				1
70	SS8150710TP	SCREW 15/64-28 L=7				1
71	23638059	SAFETY SWITCH ASM.				1
72	23638000	SAFETY SWITCH BASE		*		1
73	23638109	SAFETY SWITCH ARM		*		1
74	23638208	SAFETY SWITCH SPRING		*		1
75	23638307	SAFETY SWITCH ARM SHAFT		*		1
76	23638406	SAFETY SWITCH NUT		*		1
77	23638554	SAFETY SWITCH CORD ASM.		*		1
78	EA9500B0100	CABLE BAND		*		1
79	HK034610040	HOUSING		*		1
80	SM4021201SC	SCREW M2 L=12		*		2
81	SS4110615SP	SCREW 11/64-40 L=6				1
82	23629900	AIR-DISCHARGING				1
83	RO080150200	RUBBER RING				1
84	B3118552I00	TENSION RELEASING PIN I				1
85	TA1250406R0	RUBBER PLUG D=12.5 L=4				1
86	11300308	THROAT PLATE				1
87	TA1470704R0	RUBBER PLUG				1
88	SS4121215SP	SCREW 3/16-28 L=12				1
89	23601057	EARTH CORD ASM.	FOR JE,JA			1
90	SS4120615SP	SCREW 3/16-28 L=6	FOR JE,JA			1
91	22901805	GROUND MARK	FOR JE,JA			1
92	40000214	RESISTOR PACK AL ASM.	FOR DLN-9010SS (GENERAL EXPORT)			1
93	40000215	RESISTOR PACK AF ASM.	FOR DLN-9010SS (JE)			1

MACHINE FRAME & MISCELLANEOUS COVER COMPONENTS

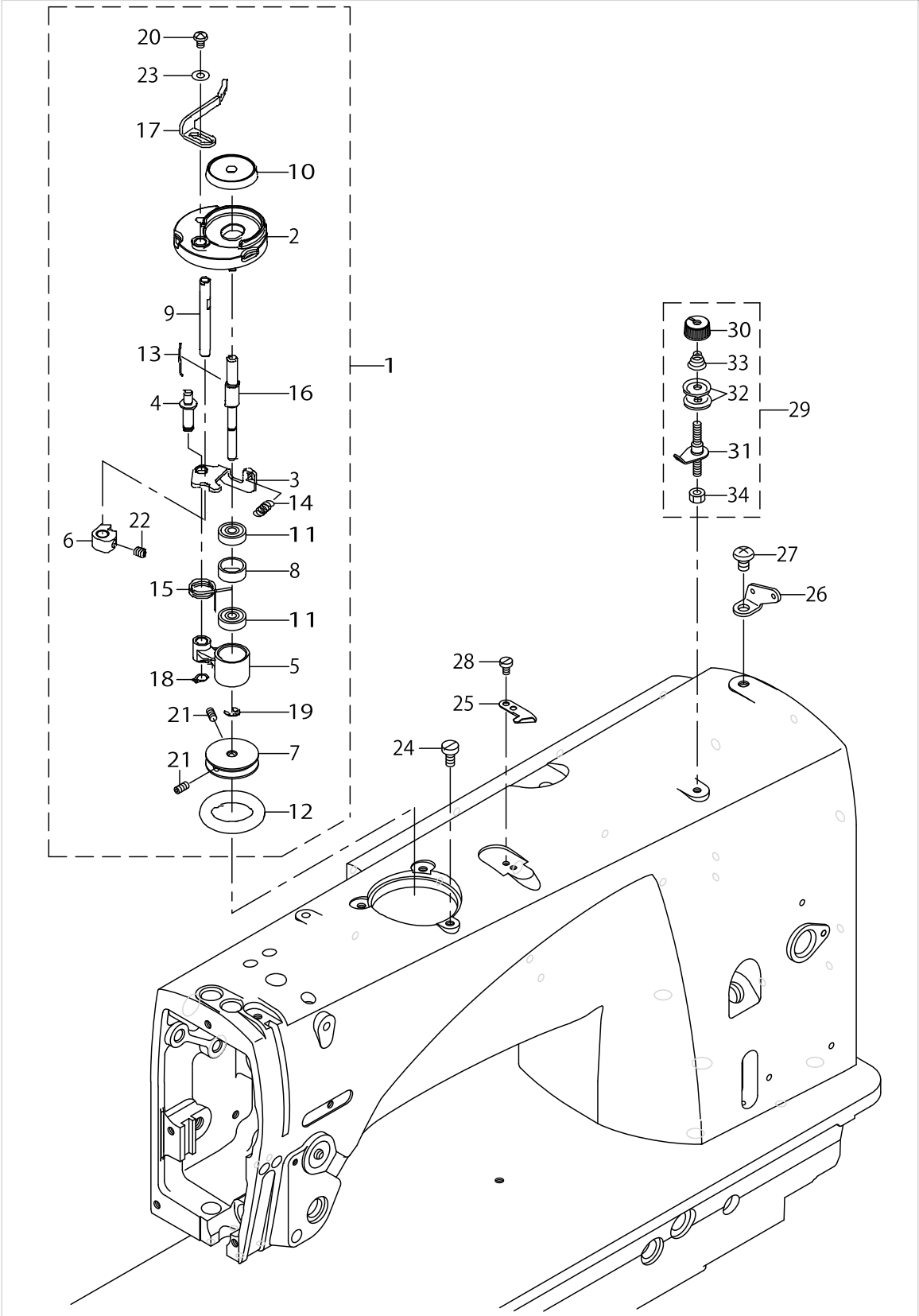


MACHINE FRAME & MISCELLANEOUS COVER COMPONENTS

No.	Parts No.	Parts name	Remarks	Level	Cons	Qty
94	40000216	RESISTOR PACK AA ASM.	FOR DLN-9010SS (JA)			1



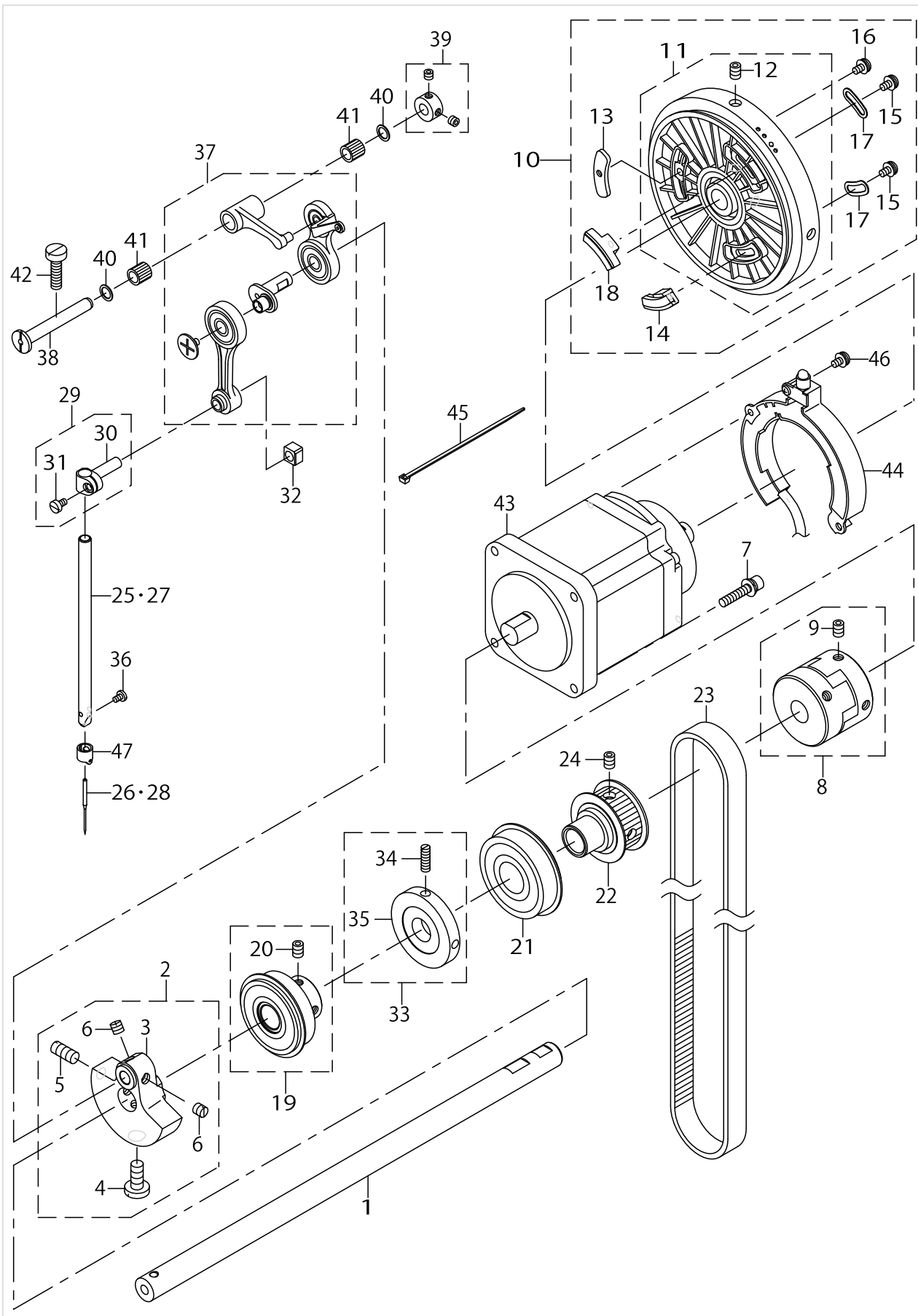
BOBBIN WINDER COMPONENTS



BOBBIN WINDER COMPONENTS

No.	Parts No.	Parts name	Remarks	Level	Cons	Qty
1	40023021	BOBBIN WINDER UNIT				1
2	26260109	BTW_BASE		*		1
3	26260208	BTW_CAM_PLATE		*		1
4	26260307	BTW_BASE_SHAFT		*		1
5	26260406	BTW_SHAFT_BASE		*		1
6	26260505	BTW_CAM_LEVER		*		1
7	26260604	BTW_WHEEL		*		1
8	26260802	BTW_BEARING_SPACER		*		1
9	26261008	BTW_LEVER_SHAFT		*		1
10	26261206	BTW_SPACER		*		1
11	26261305	BTW_BEARING		*		2
12	26261503	BTW_WHEEL_RUBBER		*		1
13	26261602	BOBBIN_SPRING		*		1
14	26261701	BTW_SPRING		*		1
15	40011144	BTW_TORSION_SPRING		*		1
16	40014837	BTW_SHAFT		*		1
17	40023022	BTW LEVER		*		1
18	RC0560711KP	RETAINING RING		*		1
19	RE0400000K0	E-RING 4		*		1
20	SM5040655SN	SCREW		*		1
21	SM8040802TP	SCREW M4X8		*		2
22	SM8050502TP	SCREW M5 L=5		*		1
23	WP0450826SC	WASHER 4.5X10X0.8		*		1
24	SS6121030SN	SCREW 3/16-28 L=10				3
25	10502300	THREAD CUTTER				1
26	40023291	THREAD GUIDE NO.1				1
27	SS4150915SP	SCREW 15/64-28 L=9				1
28	SS6090620TP	SCREW				2
29	23636657	BOBBIN THREAD TENSION ASM.				1
30	11072402	THREAD TENSION NUT		*		1
31	14113450	BOBBIN THREAD TENSION ROD ASM.		*		1
32	B3126012000	THREAD TENSION DISK		*		2
33	D7133555B00	CONNECTING ROD SPRING		*		1
34	NS6110530SP	NUT 11/64-40		*		1

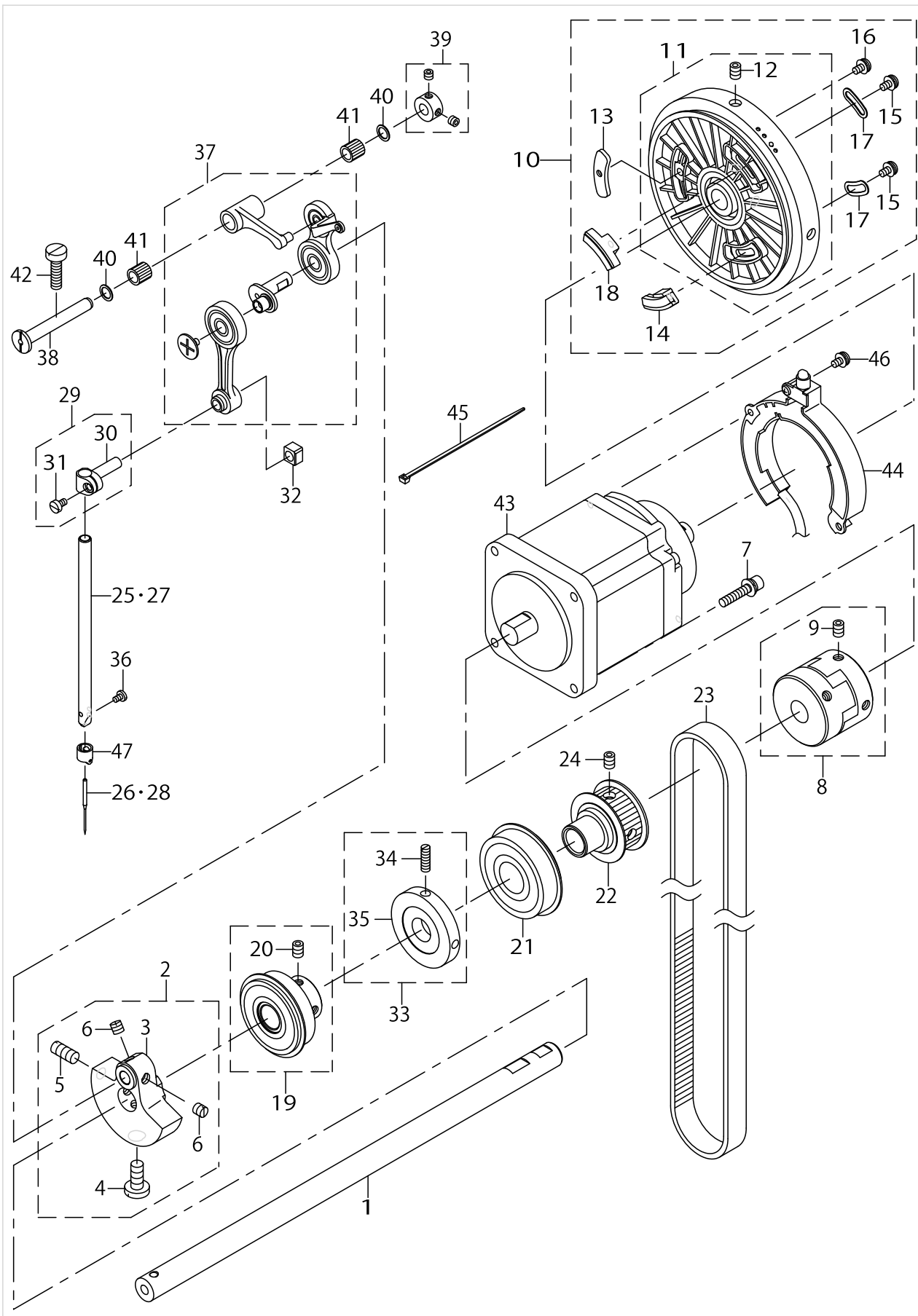
MAIN SHAFT & NEEDLE BAR COMPONENTS



MAIN SHAFT & NEEDLE BAR COMPONENTS

No.	Parts No.	Parts name	Remarks	Level	Cons	Qty
1	23604010	MAIN SHAFT				1
2	23604168	COUNTER WEIGHT ASM.				1
3	23604119	COUNTER WEIGHT		*		1
4	SS7681650TP	SCREW 9/32-28 L=16		*		1
5	SS8681650TP	SCREW 9/32-28 L=16		*		1
6	SS8660610TP	SCREW 1/4-40 L=6		*		2
7	SL6052592TN	BOLT				4
8	40051473	COUPLING ASM.				1
9	SM80608A2TP	L=8SCREW M6 L=8		*		4
10	23604457	HAND WHEEL ASM.				1
11	40044906	HAND WHEEL ASM.		*		1
12	SM80608A2TP	L=8SCREW M6 L=8		*		2
13	23604804	BALANCE PLATE		*		1
14	23604754	MAGNET BASE COMPL. .B		*		1
15	SL4040881SC	SCREW M4 L=8		*		2
16	SL4040881SC	SCREW M4 L=8		*		1
17	23605009	HAND WHEEL WASHER		*		2
18	23604655	MAGNET BASE COMPL. .A		*		1
19	23605256	BEARING COMPL.				1
20	SM80608A2TP	L=8SCREW M6 L=8		*		2
21	SB120000800	BEARING				1
22	40039946	SPROCKET ASM.				1
23	23607302	TIMING BELT				1
24	SM80608A2TP	L=8SCREW M6 L=8				2
25	40000221	NEEDLE BAR B	FOR DLN-9010SS (JE)			1
26	MC200500900	NEEDLE 134 90	FOR DLN-9010SS (JE)			1
27	40000220	NEEDLE BAR A	FOR DLN-9010SS (GENERAL EXPORT,JA)			1
28	MDB100B1400	NEEDLE DBX1 #14	FOR DLN-9010SS (GENERAL EXPORT,JA)			1
29	22906457	NEEDLE BAR HOLDER ASM.				1
30	22906408	NEEDLE ROD HOLDER		*		1
31	SS6090670TP	SCREW 9/64-40 L=6		*		1
32	B1414555000	SLIDE BLOCK				1
33	40020454	BTW DRIVING WHEEL ASM				1
34	SM8051610SP	SCREW M5 L=16		*		2
35	40020455	BTW DRIVING WHEEL		*		1
36	SS7080510TP	SCREW 1/8-44 L=4.5				1
37	40000270	THREAD TAKE-UP COMPL.				1
38	23622400	THREAD TAKE-UP CRANK SHAFT				1
39	40010434	THRUST_COLLAR_ASM.				1
40	22891204	BEARING SUPPORT				2
41	SB307000200	BEARING				2
42	SS6151920TP	SCREW 15/64-28 L=19.0				1
43	40028014	AC SERVO MOTOR				1
44	M68014710A0	SYNC ASM.				1
45	EA9500B0100	CABLE BAND				2
46	SL4040881SC	SCREW M4 L=8				2

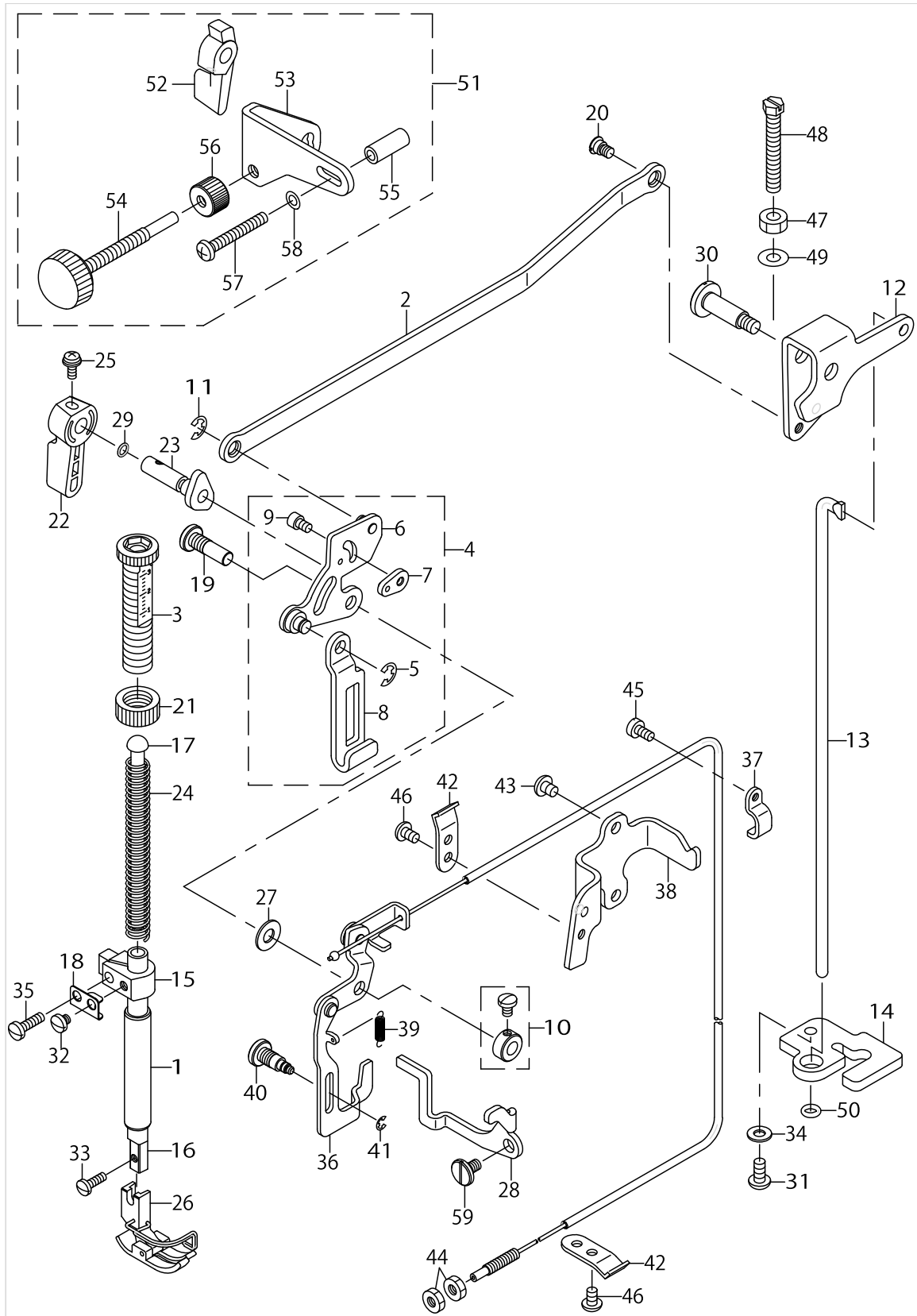
MAIN SHAFT & NEEDLE BAR COMPONENTS



MAIN SHAFT & NEEDLE BAR COMPONENTS

No.	Parts No.	Parts name	Remarks	Level	Cons	Qty
47	B1418552A00	NEEDLE THREAD GUIDE A				1

# HAND LIFTER & TENSION RELEASE COMPONENTS

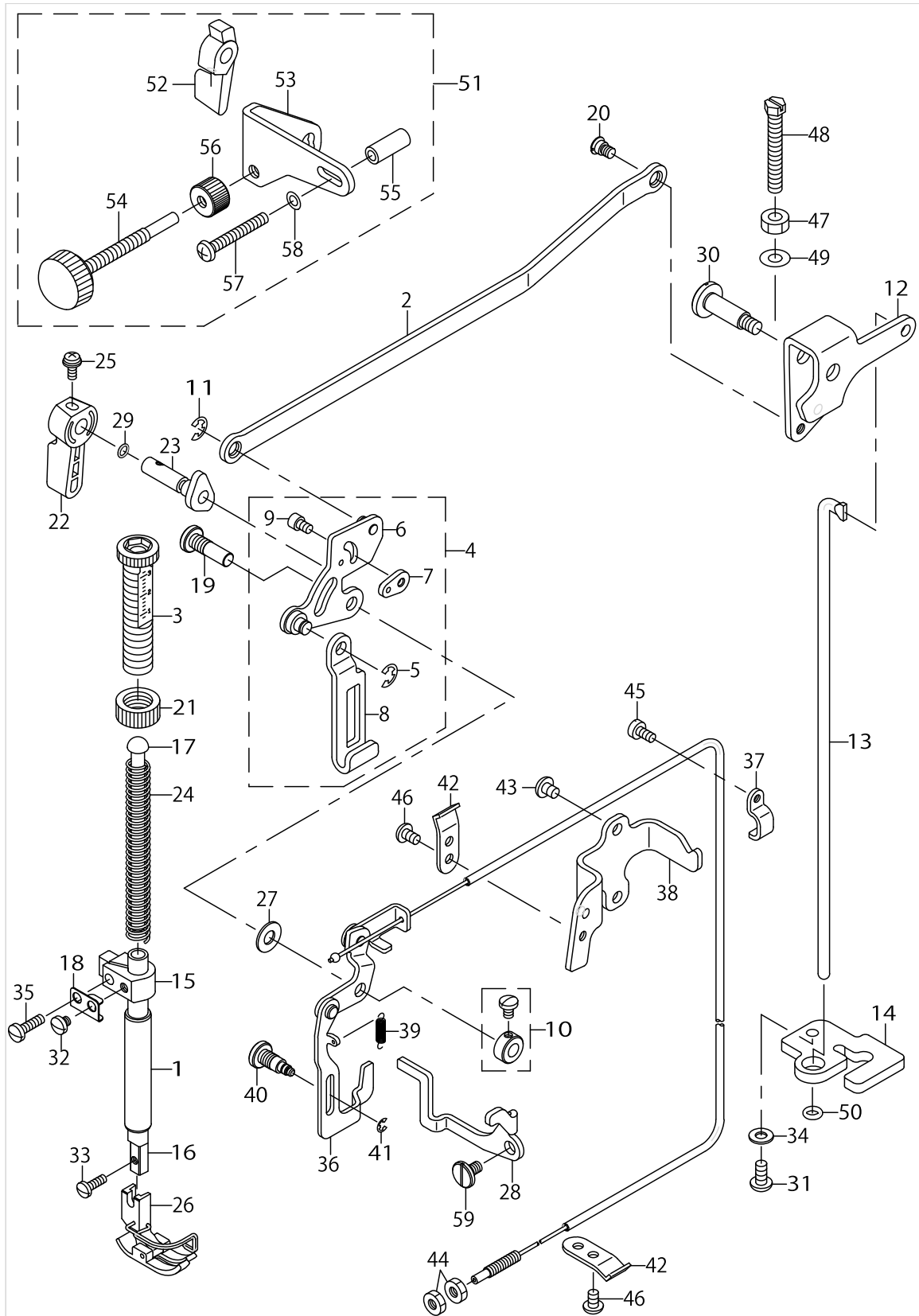


HAND LIFTER & TENSION RELEASE COMPONENTS

No.	Parts No.	Parts name	Remarks	Level	Cons	Qty
1	23609001	PRESSER ROD METAL				1
2	40000227	KNEE LIFTING CROSS ROD				1
3	23609209	PRESSER SPRING REGULATOR				1
4	40000228	LIFTING PLATE ASM.				1
5	RE0500000K0	E-RING 5		*		1
6	23609456	LIFTING LINK COMPL.		*		1
7	23609605	PLATE		*		1
8	40000229	LIFTING PLATE		*		1
9	SM6040602TP	SCREW M4 L=6		*		1
10	CS064061ASP	THRUST COLLAR ASM.				1
11	RE0500000K0	E-RING 5				1
12	40000230	LIFTING LEVER LINK				1
13	23609803	CONNECTING ROD				1
14	23609902	CONNECTING ROD GUIDE				1
15	40000231	PRESSER BAR GUIDE BRACKET				1
16	23610207	PRESSER BAR				1
17	23610306	PRESSER GUIDE BAR				1
18	40000232	GUIDE BRACKET PLATE				1
19	11301702	LINK SHAFT				1
20	22908909	HINGE SCREW				1
21	22907604	PRESSER SPRING REGULATOR NUT				1
22	22907802	HAND LIFTER				1
23	40000233	PRESSER LIFTER CAM COMPL.				1
24	22907406	PRESSER SPRING				1
25	B1521555000	SCREW				1
26	D1524415BBC	PRESSER FOOT ASM.				1
27	WP0651001SC	WASHER				1
28	40000333	THREAD RELEASE LINK				1
29	RO037180100	RUBBER RING				1
30	GAKA1843000	KNEE LIFTER LINK FULCRUM SHAFT				1
31	SS4121015SP	SCREW 3/16-28 L=10				1
32	SS7110410SP	SCREW 11/64-40 L=4				1
33	SS7091110TP	SCREW 9/64-40 L=10.5				1
34	WP0501016SD	WASHER 5X10.5X1				1
35	SS7111410TP	SCREW 11/64-40 L=14				1
36	40000327	THREAD RELEASE WIRE ASM.				1
37	40000334	WIRE GUIDE				1
38	40000332	EIRE HOLDER BRACKET				1
39	11305901	DIFFERENTIAL PLATE SPRING				1
40	11306107	DIFFERENTIAL PLATE SHAFT				1
41	RE0300000K0	E-RING 3				1
42	22944508	WIRE PRESSER A				2
43	SS4120615SP	SCREW 3/16-28 L=6				2
44	NS6620310SP	NUT 3/16-32				2
45	SS6090810TP	SCREW 9/64-40 L=7.5				1
46	SS4110715SP	SCREW 11/64-40 L=7				2
47	NS6150310SP	NUT 15/64-28				1



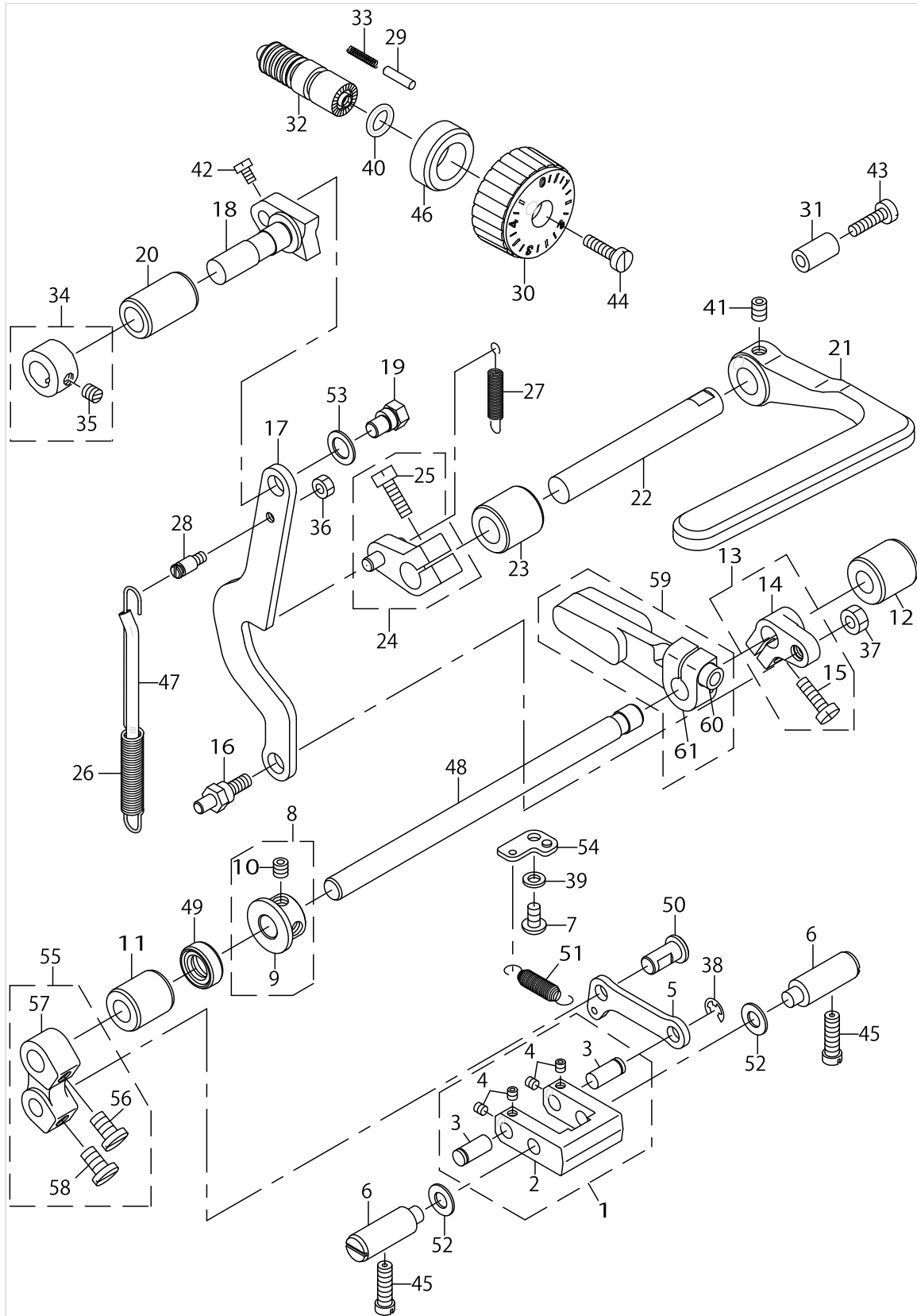
HAND LIFTER & TENSION RELEASE COMPONENTS



HAND LIFTER & TENSION RELEASE COMPONENTS

No.	Parts No.	Parts name	Remarks	Level	Cons	Qty
48	23610801	BOLT				1
49	WP0621016SD	WASHER 6.2X13X1				1
50	RO044240100	RUBBER RING				1
51	23611056	MINUTE LIFTING DEVICE ASM.	OPTIONAL PARTS			1
52	23611106	HAND LIFTER		*		1
53	23610504	STOPPER BASE		*		1
54	23610652	STOPPER SCREW ASM.		*		1
55	11244019	STOPPER COLLAR		*		1
56	23610702	STOPPER SCREW NUT		*		1
57	11433802	SET SCREW		*		1
58	WP0480856SP	WASHER 4.8X8.4X0.8		*		1
59	SD0640261SP	HINGE SCREW D=3.65 H=2.6				1

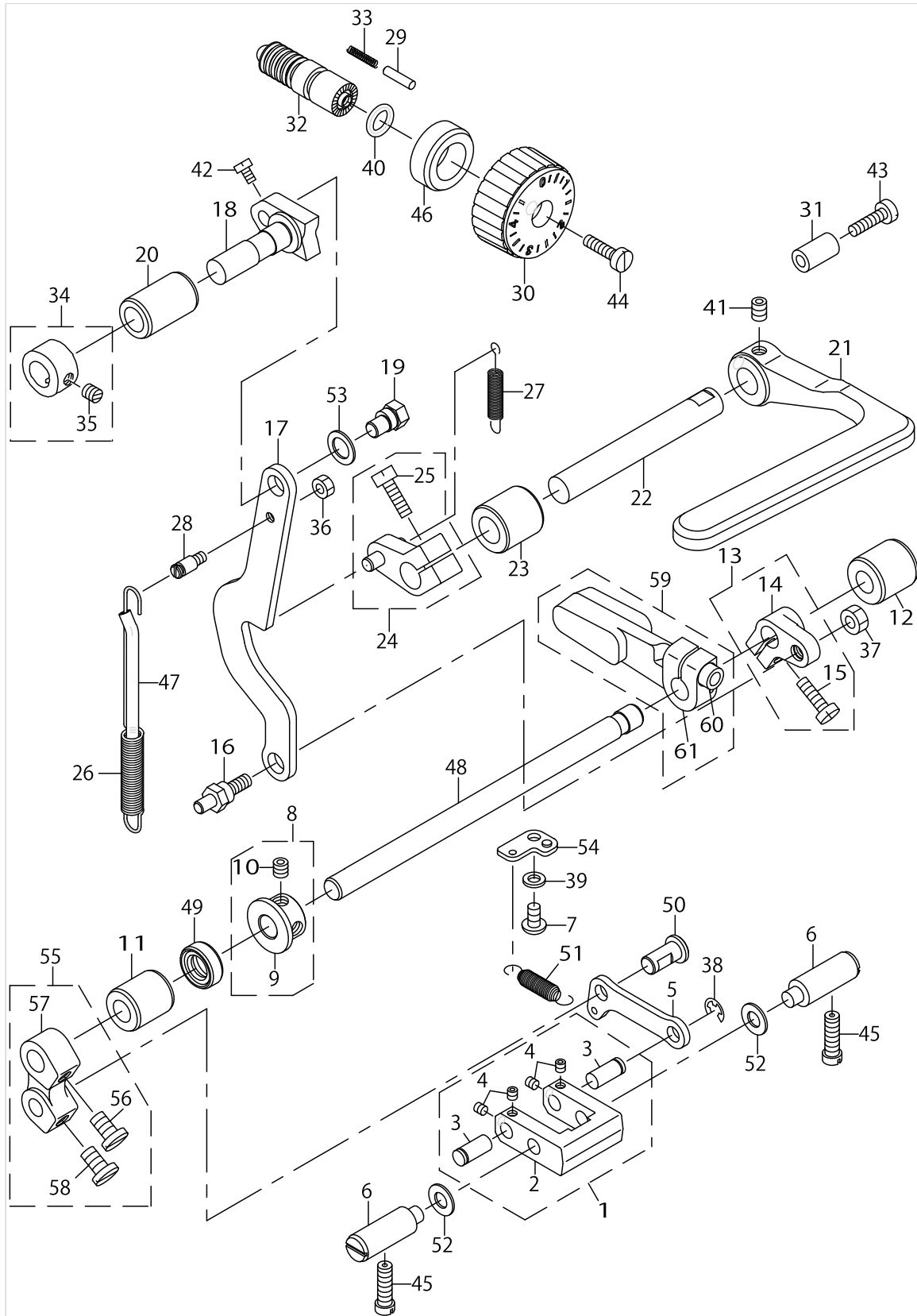
FEED ADJUST MECHANISM COMPONENTS



FEED ADJUST MECHANISM COMPONENTS

No.	Parts No.	Parts name	Remarks	Level	Cons	Qty
1	40033391	ADJUSTING LINK ASM.				1
2	40033392	ADJUSTING LINK		*		1
3	40033393	ADJUSTING LINK PIN		*		2
4	SM8040412TP	SET SCREW M4 L=4		*		4
5	40009730	ADJUSTING LINK CONNECTING LINK				1
6	40012032	ADJUSTING LINK FULCRUM SHAFT				2
7	SS4120915SP	SCREW 3/16-28 L=9				1
8	40055585	THRUST COLLAR ASM.				1
9	23612716	THRUST COLLAR		*		1
10	SS8660612TP	SCREW 1/4-40 L=6		*		2
11	23612807	METAL,A				1
12	40052274	METAL B				1
13	23613052	FEED CHANGING SHAFT ARM ASM.,B				1
14	23613003	FEED CHANGING SHAFT ARM,B		*		1
15	SS6121610SP	SCREW 3/16-28 L=15.5		*		1
16	23613102	FEED CHANGING SHAFT ARM B PIN				1
17	40013470	FEED ADJUSTING ROD				1
18	23613300	FEED ADJUSTING BASE				1
19	23613409	FEED ADJUSTING PIN				1
20	23613508	ADJUSTING BASE SHAFT METAL				1
21	23613607	FEED LEVER				1
22	23613706	FEED LEVER SHAFT				1
23	23613805	FEED LEVER SHAFT METAL				1
24	23613953	FEED LEVER ARM ASM.				1
25	SS6121610SP	SCREW 3/16-28 L=15.5		*		1
26	40009727	FEED ADJUSTING SPRING				1
27	23614308	FEED LEVER SPRING				1
28	40023289	SPRING SUSPENSION				1
29	22912000	FEED REGULATOR PIN				1
30	40011723	FEED DIAL				1
31	22952501	BACK LEVER STOPPER				1
32	22911804	FEED REGULATOR SCREW				1
33	22912109	FEED REGULATOR PIN SPRING				1
34	CS111101CSH	THRUST COLLAR ASM.D=11.11 W=10				1
35	SS8660330SP	SCREW 1/4-40 L= 3.0		*		2
36	NS6110310SP	NUT 11/64-40				1
37	NS6150310SP	NUT 15/64-28				1
38	RE0500000K0	E-RING 5				1
39	WS0510002KP	SPRING WASHER 5.1X9.2X1.3				1
40	RO092270200	RUBBER RING				1
41	SM80608A2TP	L=8SCREW M6 L=8				2
42	SS6090670TP	SCREW 9/64-40 L=6				2
43	SS6121840SP	SCREW 3/16-28 L=18				1
44	SS6121860SP	SCREW 3/16-28 L=18				1
45	SS6151920TP	SCREW 15/64-28 L=19.0				2
46	23614407	FEED DIAL RUBBER				1
47	23630007	TUBE				0.09

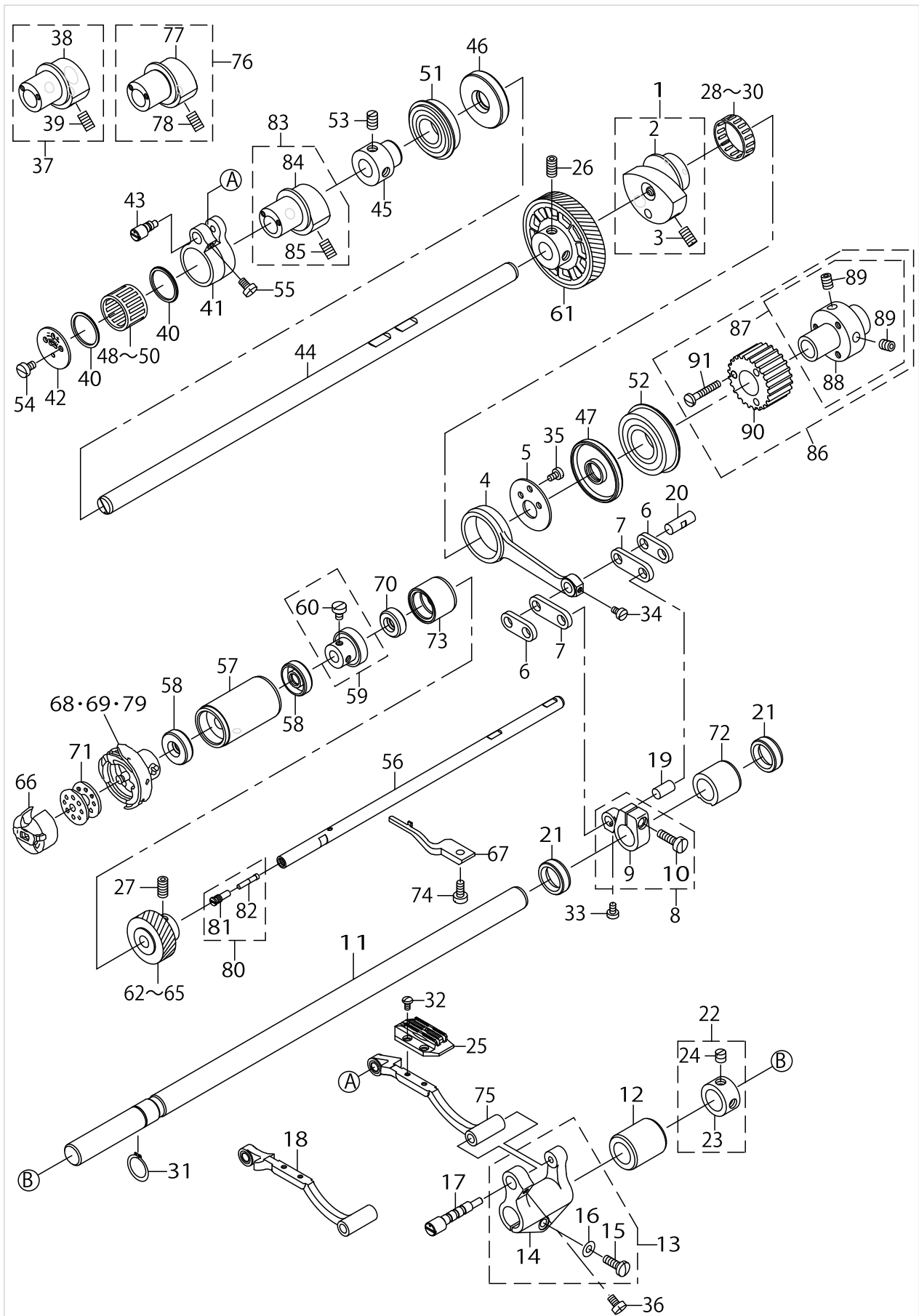
FEED ADJUST MECHANISM COMPONENTS



FEED ADJUST MECHANISM COMPONENTS

No.	Parts No.	Parts name	Remarks	Level	Cons	Qty
48	23612500	FEED CHANGING SHAFT				1
49	23612609	FEED CHANGING SHAFT OIL SEAL				1
50	40009731	CONNECTING PIN				1
51	40009724	ADJUSTING LINK SPRING				1
52	10548501	THREAD TAKE-UP CRANK SPACER				2
53	WP0951016SP	WASHER 9.53X15X1				1
54	40009789	ADJUSTING LINK SPRING HOOK				1
55	40011724	FEED CHANGING SHAFT ARM A ASM.				1
56	SS6661110SP	SCREW 1/4-40 L=11		*		1
57	40009729	FEED CHANGING SHAFT ARM A		*		1
58	SS6661110SP	SCREW 1/4-40 L=11		*		1
59	40061560	FEED_CHANGING_BALANCER_ARM_ASM				1
60	SM6061802TP	SCREW M6 L=18		*		1
61	40061545	FEED_CHANGING_BALANCER_ARM		*		1

HORIZONTAL FEED & VERTICAL FEED AND HOOK DRIVING SHAFT COMPONENTS

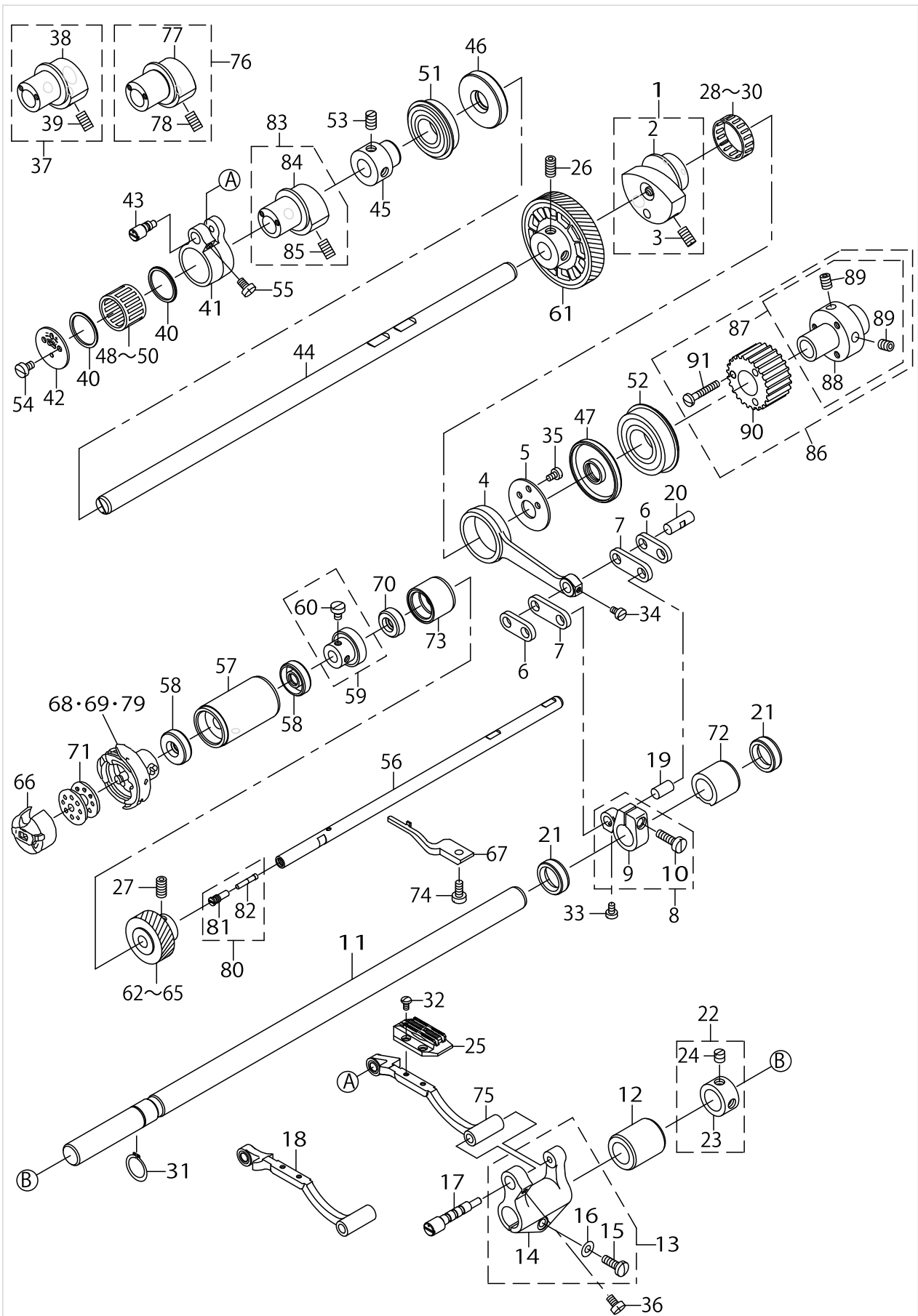


HORIZONTAL FEED & VERTICAL FEED AND HOOK DRIVING SHAFT COMPONENTS

No.	Parts No.	Parts name	Remarks	Level	Cons	Qty
1	23616055	FEED ROCKER CAM ASM.				1
2	23616006	FEED ROCKER CAM		*		1
3	SS8151150TP	SCREW 15/64-28 L=10.5		*		2
4	23616105	FEED ROCKER ROD				1
5	23616204	FEED ROCKER CAM PLATE				1
6	23616303	CONNECTING LINK,A				2
7	23616402	CONNECTING LINK,B				2
8	23616550	FEED ROCKER ARM ASM.				1
9	23616501	FEED ROCKER ARM		*		1
10	SS6121610SP	SCREW 3/16-28 L=15.5		*		1
11	40000247	FEED ROCKER SHAFT				1
12	23616709	FEED ROCKER SHAFT METAL				1
13	23616857	FEED ROCKER BASE ARM ASM.				1
14	23616808	FEED ROCKER BASE ARM		*		1
15	SS7121410TP	SCREW 3/16-28 L=14		*		1
16	WP0480856SP	WASHER 4.8X8.4X0.8		*		1
17	23616907	FEED ROCKER BASE SHAFT				1
18	40000249	FEED BASE COMPL.	OPTIONAL PARTS			1
19	22911002	WALKING FOOT PIN B				1
20	22911101	WALKING FOOT PIN C				1
21	40029963	OIL SEAL				2
22	22904155	MAIN SHAFT THRUST COLLAR ASM.				1
23	22904106	MAIN SHAFT THRUST COLLAR		*		1
24	SS8660610TP	SCREW 1/4-40 L=6		*		2
25	D1609415B00	FEED DOG				1
26	SS8661012TP	SCREW				2
27	SS8661012TP	SCREW				2
28	B412352200A	NEEDLE ROLLAR A	SELECTIVE PARTS			1
29	B412352200B	NEEDLE ROLLAR B	SELECTIVE PARTS			1
30	B412352200C	NEEDLE ROLLAR C	SELECTIVE PARTS			1
31	RC0150001KP	RETAINING RING 13.8				1
32	SS4080620TP	SCREW 1/8-44 L=6				2
33	SS6090620TP	SCREW				1
34	SS6090620TP	SCREW				1
35	SS6090670TP	SCREW 9/64-40 L=6				2
36	SS7110740TP	SCREW 11/64-40 L=7				1
37	40000257	FEED DRIVING CAM ASM. 2	OPTIONAL PARTS			1
38	40000258	FEED DRIVING CAM 2		*		1
39	SS8151150TP	SCREW 15/64-28 L=10.5		*		2
40	23618101	FEED DRIVING CAM THRUST BUSH				2
41	23618200	FEED DRIVING BASE ARM				1
42	23618309	FEED DRIVING CAM PLATE				1
43	23618408	FEED DRIVING BASE SHAFT				1
44	40011711	FEED DRIVING SHAFT				1
45	23618606	BEARING SUPPORT				1
46	23618705	OIL SEAL				1
47	23618804	OIL SEAL				1



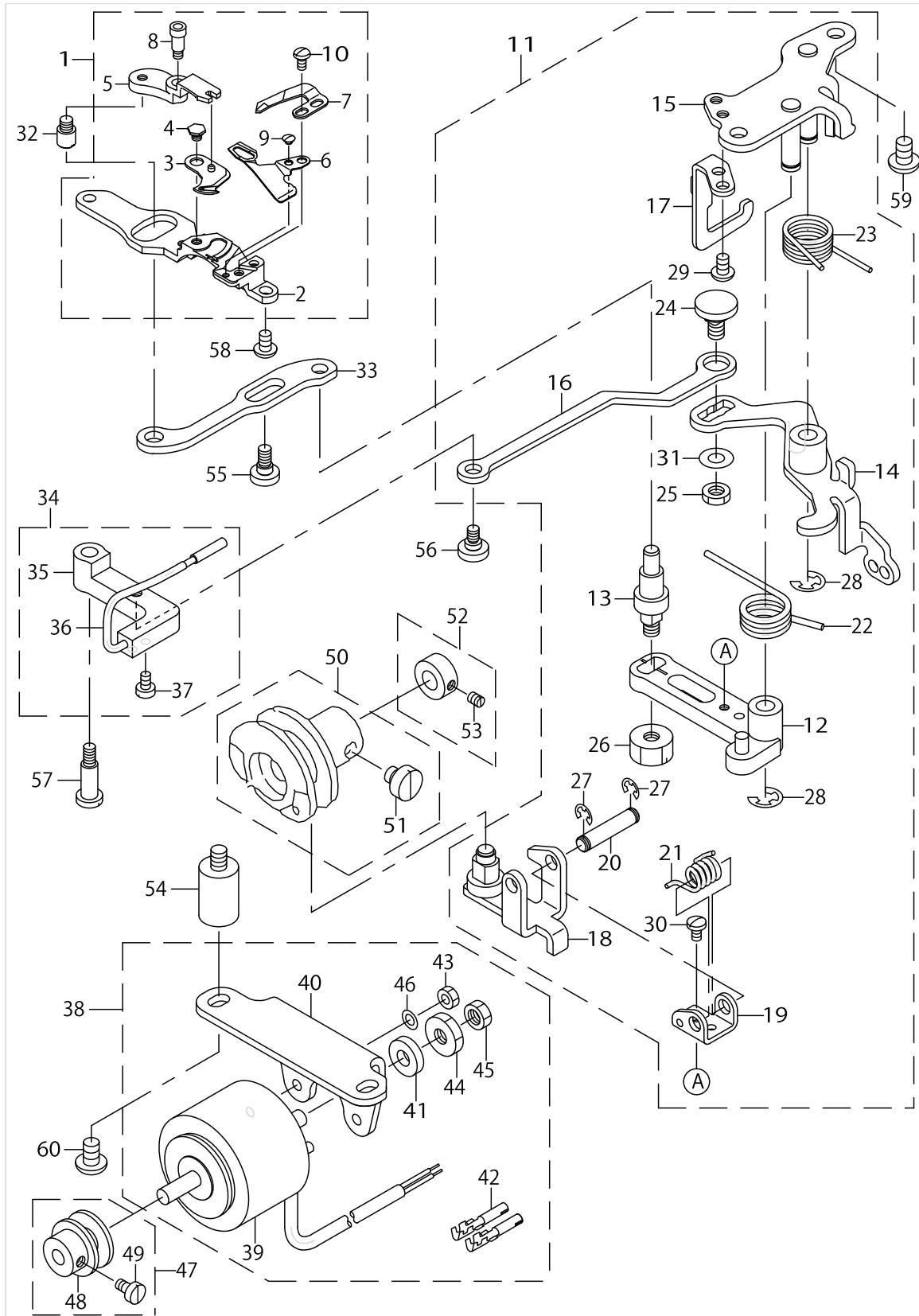
HORIZONTAL FEED & VERTICAL FEED AND HOOK DRIVING SHAFT COMPONENTS



HORIZONTAL FEED & VERTICAL FEED AND HOOK DRIVING SHAFT COMPONENTS

No.	Parts No.	Parts name	Remarks	Level	Cons	Qty
48	SB32000060A	BEARING	SELECTIVE PARTS			1
49	SB32000060B	BEARING	SELECTIVE PARTS			1
50	SB32000060C	BEARING	SELECTIVE PARTS			1
51	SB117000400	BEARING				1
52	SB120001000	BEARING				1
53	SS8661012TP	SCREW				2
54	SS6090670TP	SCREW 9/64-40 L=6				2
55	SS6110710TP	SCREW 11/64-40 L= 6.5				1
56	23620008	HOOK SHAFT				1
57	23620156	HOOK SHAFT METAL COMPL.				1
58	23620206	OIL SEAL				2
59	40044877	HOOK SHAFT BEARING SUPPORT ASM.				1
60	SS6110650TP	SCREW 11/64-40 L=5.5		*		2
61	23620503	GEAR,LARGE				1
62	23620701	GEAR,SMALL(A)	SELECTIVE PARTS			1
63	23620800	GEAR,SMALL(B)	SELECTIVE PARTS			1
64	23620909	GEAR,SMALL(C)	SELECTIVE PARTS			1
65	23621006	GEAR,SMALL(D)	SELECTIVE PARTS			1
66	40000264	BOBBIN CASE ASM.				1
67	40000265	INNER HOOK PRESSER				1
68	11141355	HOOK ASM. C	FOR DLN-9010SS(JE,JA)			1
69	11038650	HOOK ASM.	FOR DLN-9010SS(GENERAL EXPORT)			1
70	22890008	HOOK DRIVING SHAFT OIL SEAL				1
71	22932909	BOBBIN				1
72	40000248	HORIZONTAL FEED SHAFT METAL				1
73	23620404	HOOK SHAFT REAR METAL				1
74	SS6111010TP	SCREW 11/64-40 L= 9.5				1
75	23617053	FEED BASE COMPL.				1
76	23619158	FEED DRIVING CAM ASM. F	OPTIONAL PARTS			1
77	23619109	FEED DRIVING CAM F		*		1
78	SS8151150TP	SCREW 15/64-28 L=10.5		*		2
79	23621303	HOOK ASM. K	OPTIONAL PARTS			1
80	22916555	OIL SEAL SCREW ASM.				1
81	22916506	SET SCREW		*		1
82	11015906	OIL WICK		*		1
83	23618051	FEED DRIVING CAM ASM.				1
84	23618002	FEED DRIVING CAM		*		1
85	SS8151150TP	SCREW 15/64-28 L=10.5		*		2
86	40031608	SPROCKET ASM.				1
87	40031607	SPROCKET SUPPORT ASM.		*		1
88	40031606	SPROCKET SUPPORT		*		1
89	SS8150822TP	SCREW 15/64-28 L=8		*		2
90	40031605	SPROCKET		*		1
91	SS7112420SP	SCREW 11/64-40 L=24		*		3

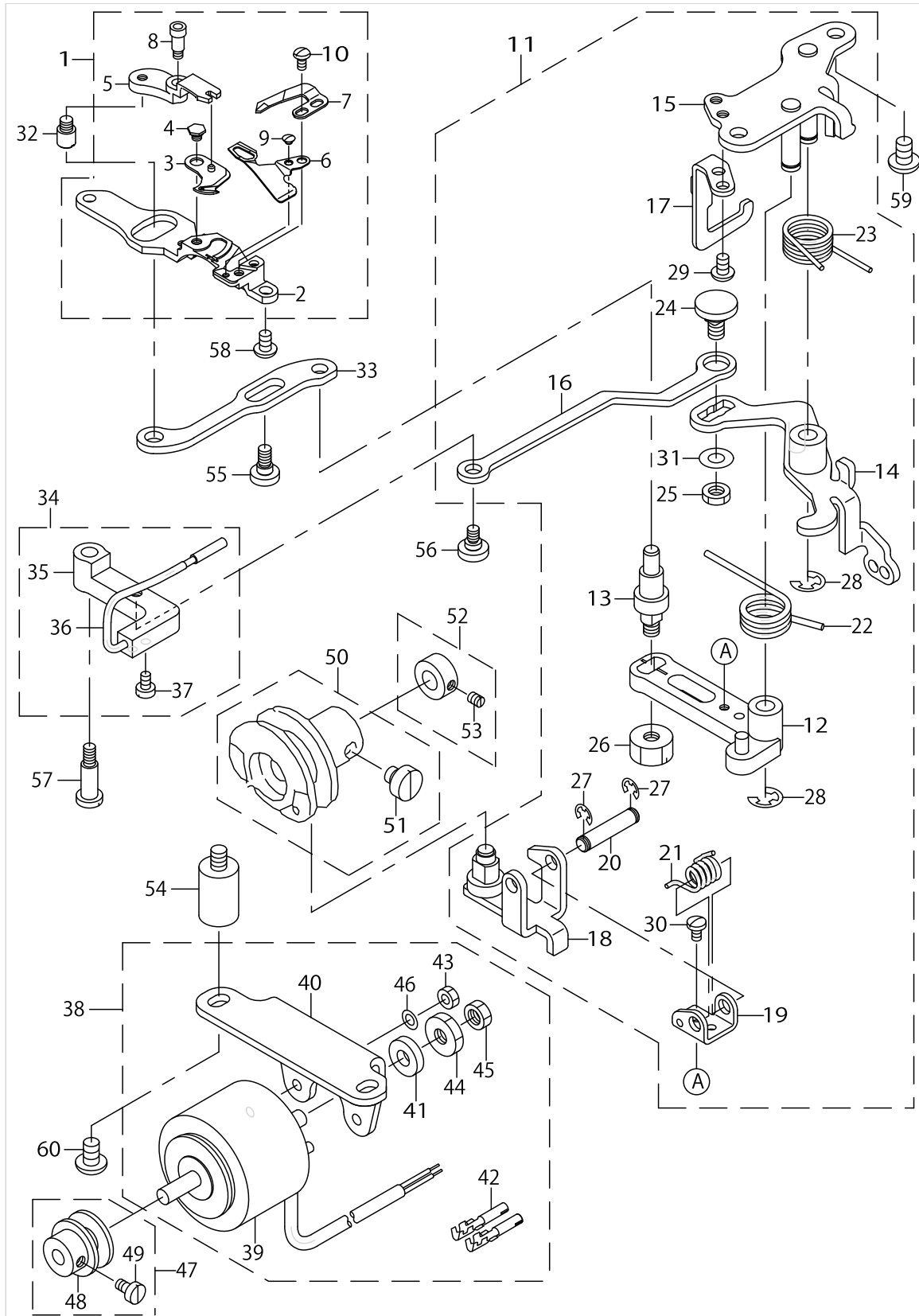
# THREAD TRIMMER COMPONENTS



THREAD TRIMMER COMPONENTS

No.	Parts No.	Parts name	Remarks	Level	Cons	Qty
1	40000322	KNIFE UNIT				1
2	23623002	KNIFE INSTALLING BASE		*		1
3	11313053	MOVING KNIFE ASM.		*		1
4	SD0500095TH	HINGE SCREW D= 5 H= 0.85		*		1
5	11232105	FORKED BASE FOR KNIFE		*		1
6	40000323	THREAD GUIDE FOR KNIFE		*		1
7	40000324	COUNTER KNIFE		*		1
8	SD0460703TP	HINGE SCREW D=4.6 H=7		*		1
9	SS2060210SP	SCREW 3/32-56 L=2.3		*		1
10	SS4080620TP	SCREW 1/8-44 L=6		*		2
11	23623168	THREAD TRIMMER DRIVING UNIT				1
12	23623150	KNIFE DRIVING ARM ASM.		*		1
13	23623200	MOVING KNIFE LINK PIN		*		1
14	23623358	CLUTCH PLATE ASM.		*		1
15	23623556	BASE PLATE ASM.		*		1
16	23623705	PICKER LINK		*		1
17	23623804	DRIVING ARM STOPPER		*		1
18	11040953	ROLLER ARM ASM.		*		1
19	22949002	ROLLER ARM SEAT		*		1
20	11041407	ROLLER FULCRUM SHAFT		*		1
21	22949200	ROLLER RETURN SPRING		*		1
22	11043700	KNIFE RETURN SPRING, B		*		1
23	22949408	CLUTCH SPRING		*		1
24	22950000	PICKER LINK PIN		*		1
25	NS6150310SP	NUT 15/64-28		*		1
26	NS6150810SP	NUT 15/64-28		*		1
27	RE0400000K0	E-RING 4		*		2
28	RE0600000K0	E-RING 6		*		2
29	SS4110715SP	SCREW 11/64-40 L=7		*		2
30	SS7090610SP	SCREW 9/64-40 L=6		*		1
31	WP0621016SH	WASHER		*		1
32	23623903	PIN				1
33	23624000	MOVING KNIFE LINK				1
34	23624158	PICKER ARM ASM.				1
35	23624109	PICKER ARM		*		1
36	23624257	THREAD TAKE-UP PICKER ASM.		*		1
37	SS6090620TP	SCREW		*		2
38	23624356	SOLENOID ASM.				1
39	23624307	SOLENOID		*		1
40	23624406	SOLENOID BASE		*		1
41	11043304	SOLENOID RUBBER		*		1
42	HK03464000B	PIN CONTACT		*		2
43	NM6040000SN	NUT M4		*		2
44	NS6660410SH	NUT		*		1
45	NS6660430SP	NUT 1/4-40		*		1
46	WP0430800SC	WASHER M4		*		2
47	23624554	DRIVING BLOCK ASM.				1

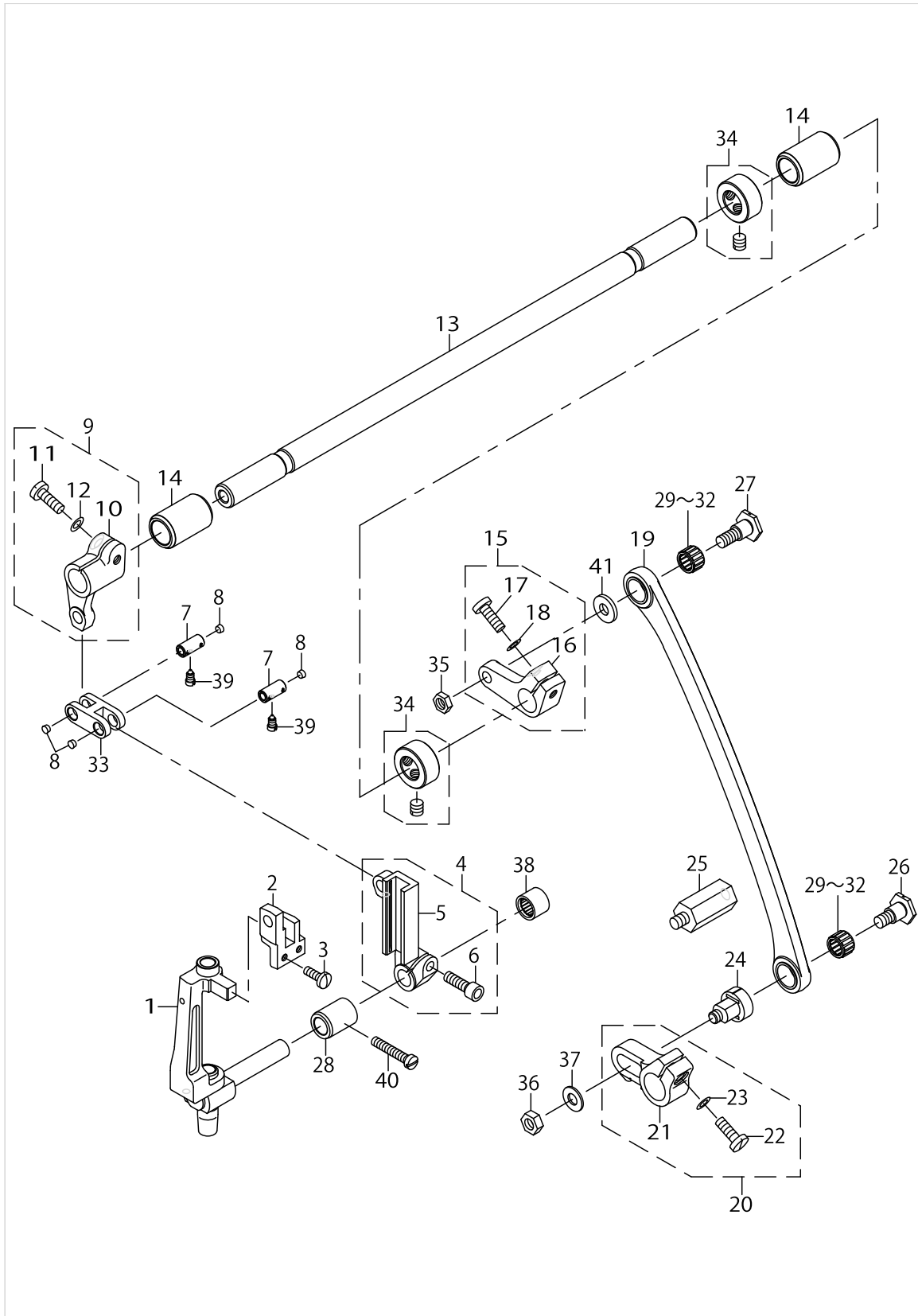
# THREAD TRIMMER COMPONENTS



THREAD TRIMMER COMPONENTS

No.	Parts No.	Parts name	Remarks	Level	Cons	Qty
48	23624505	DRIVING BLOCK		*		1
49	SS6110710TP	SCREW 11/64-40 L= 6.5		*		1
50	11042850	THREAD TRIMMER CAM ASM.				1
51	SS6660610TP	SCREW 1/4-40 L=6		*		2
52	22950950	CAM COLLAR ASM.				1
53	SS8110520TP	SCREW 11/64-40 L= 4.5		*		1
54	40023290	SOLENOID BASE STUD				2
55	SD0600321SP	HINGE SCREW D=6 H=3.2				1
56	SD0630275SP	HINGE SCREW D= 6.35 H= 2.7				1
57	SD0641452TP	HINGE SCREW D=6.35 H=14.5				1
58	SS4110715SP	SCREW 11/64-40 L=7				2
59	SS4150915SP	SCREW 15/64-28 L=9				2
60	SS4150915SP	SCREW 15/64-28 L=9				2

NEEDLE BAR FRAME COMPONENTS

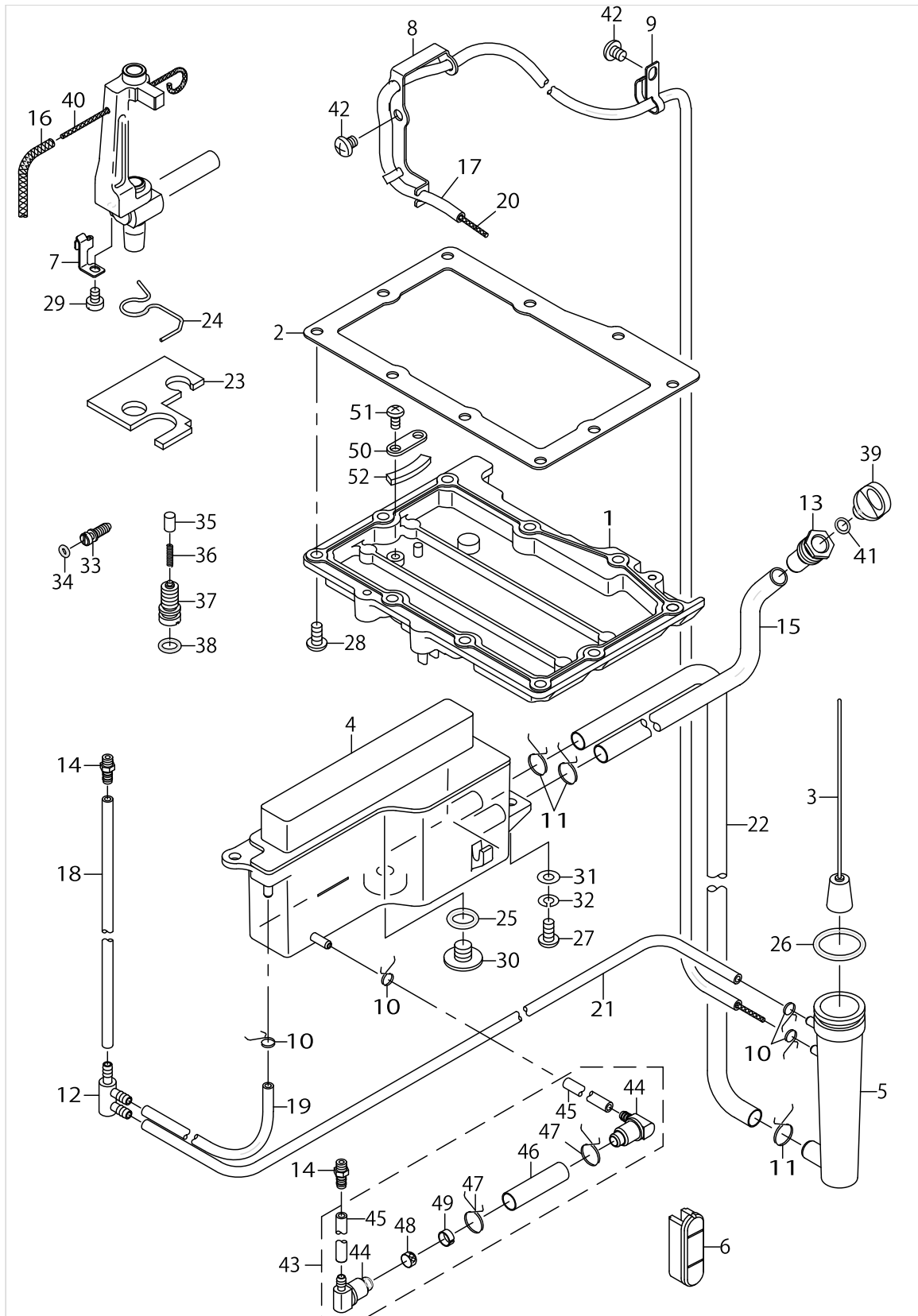


NEEDLE BAR FRAME COMPONENTS

No.	Parts No.	Parts name	Remarks	Level	Cons	Qty
1	40000281	ROCKING BASE COMPL.				1
2	40000289	ROCKING BASE GUIDE				1
3	SS7091110TP	SCREW 9/64-40 L=10.5				2
4	40000291	SLIDE BLOCK GUIDE ASM.				1
5	40000292	SLIDE BLOCK GUIDE		*		1
6	SM6051602TP	SCREW M5X0.8 L=16		*		1
7	40000293	LINK PIN				2
8	TA0340201R0	PLUG D=3.4X3.9 L=S				4
9	40000295	DRIVING CRANK ASM. ,FRONT				1
10	40000296	DRIVING CRANK ,FRONT		*		1
11	SS7121410TP	SCREW 3/16-28 L=14		*		1
12	WP0480856SP	WASHER 4.8X8.4X0.8		*		1
13	40000298	NEEDLE FEED SHAFT				1
14	40000299	NEEDLE FEED SHAFT METAL				2
15	40000301	DRIVING CRANK ASM. ,REAR				1
16	40000302	DRIVING CRANK ,REAR		*		1
17	SS7121410TP	SCREW 3/16-28 L=14		*		1
18	WP0480856SP	WASHER 4.8X8.4X0.8		*		1
19	40000304	NEEDLE FEED ROD CPML.				1
20	40000307	NEEDLE FEED ARM ASM.				1
21	40000308	NEEDLE FEED ARM		*		1
22	SS7121410TP	SCREW 3/16-28 L=14		*		1
23	WP0480856SP	WASHER 4.8X8.4X0.8		*		1
24	40000309	NEEDLE FEED ADJUSTING BLOCK				1
25	40000311	NEEDLE FEED ROD STRUT				1
26	SD0800801TP	STEP-SCREW D=8 H=8				1
27	SD0800802TP	STEP-SCREW D=8 H=8				1
28	11214509	BUSHING				1
29	B1905541A00	NEEDLE BEARING	SELECTIVE PARTS			2
30	B1905541B00	NEEDLE BEARING	SELECTIVE PARTS			2
31	B1905541C00	NEEDLE BEARING	SELECTIVE PARTS			2
32	B1905541D00	NEEDLE BEARING	SELECTIVE PARTS			2
33	B2906415000	DRIVING LINK				1
34	CS120101BSH	THRUST COLLAR ASM.				2
35	NS6150310SP	NUT 15/64-28				1
36	NS6150430SP	NUT 15/64-28				1
37	WP0621016SD	WASHER 6.2X13X1				1
38	SB309000400	BEARING				1
39	SS6090660TP	SCREW 9/64-40 L=6				2
40	SS7112420SP	SCREW 11/64-40 L=24				1
41	WP0602016SP	WASHER				1



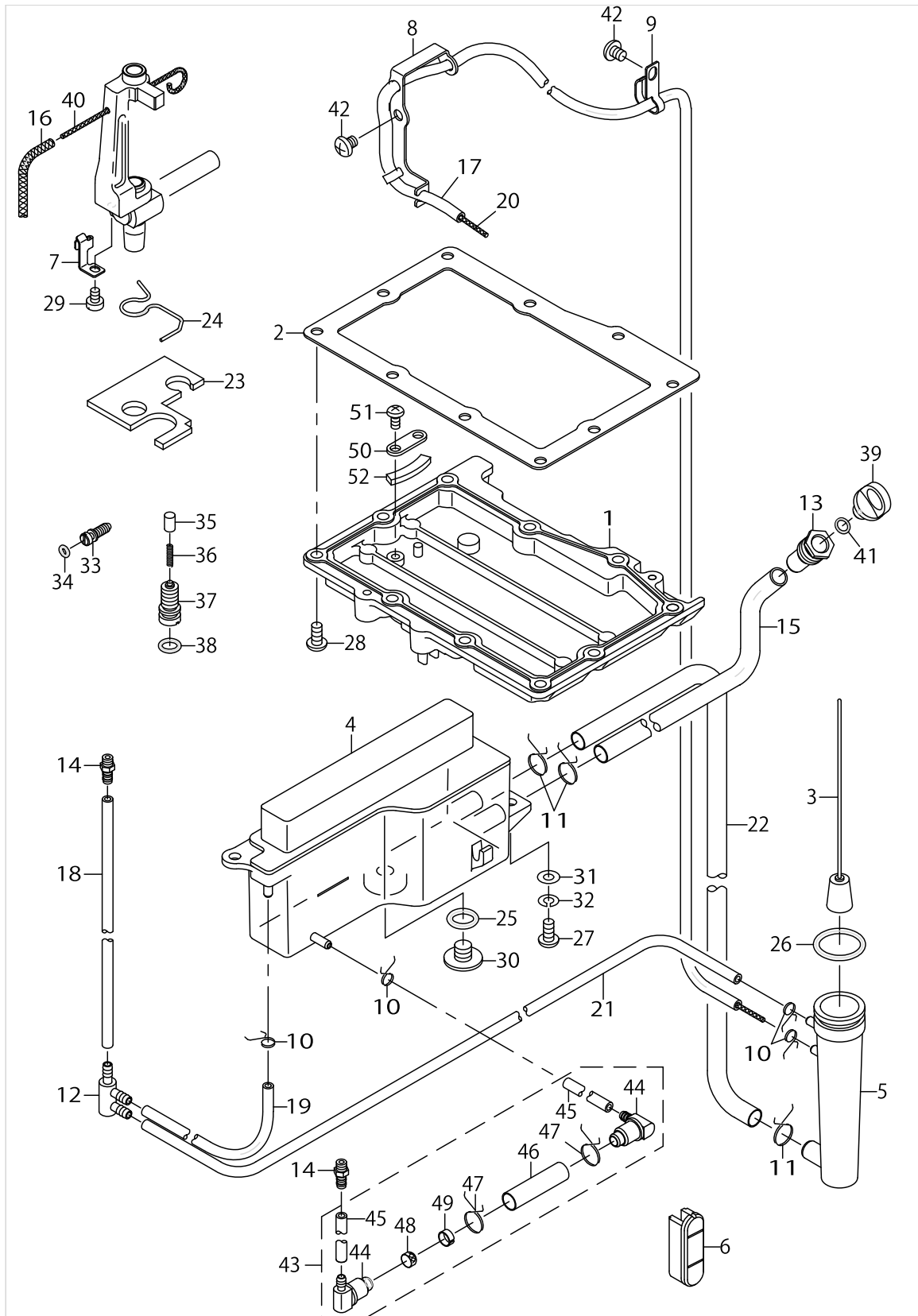
OIL LUBRICATION COMPONENTS



OIL LUBRICATION COMPONENTS

No.	Parts No.	Parts name	Remarks	Level	Cons	Qty
1	40011344	GEAR BOX COVER				1
2	23628100	GEAR BOX PACKING				1
3	23628357	FLOATER ASM.				1
4	23628555	OIL TANK ASM.				1
5	23628704	FLOATER CASE				1
6	23629108	OIL SIGHT WINDOW				1
7	40000339	OIL WICK SUPPORT				1
8	40000340	PIPE SUPPORT A				1
9	40022407	CORD HOLDER				1
10	23629306	PIPE STOPPER A				4
11	23629405	PIPE STOPPER B				3
12	23629504	DISTRIBUTOR A				1
13	40000343	LUBRICATING INLET				1
14	23629801	LUBRICATION CONNECTOR				2
15	23630106	TUBE B				0.34
16	23629702	OIL WICK				0.1
17	23630007	TUBE				0.72
18	23630007	TUBE				0.04
19	23630007	TUBE				0.07
20	CQ200000001	OIL WICK				0.8
21	23630007	TUBE				0.38
22	23630106	TUBE B				0.23
23	40000342	FELT				1
24	11307006	OIL FELT PRESSER				1
25	RO098240100	RUBBER RING				1
26	RO195240100	RUBBER RING				1
27	SS4121015SP	SCREW 3/16-28 L=10				2
28	SS4121015SP	SCREW 3/16-28 L=10				10
29	SS6090620TP	SCREW				1
30	23630205	SCREW				1
31	WP0501016SD	WASHER 5X10.5X1				2
32	WS0510002KP	SPRING WASHER 5.1X9.2X1.3				2
33	23628209	OIL ADJUSTING SCREW				1
34	RO029180100	RUBBER RING				1
35	23628803	PLUNGER				1
36	23628902	PLUNGER SPRING				1
37	23629009	PLUNGER SCREW				1
38	RO068190100	RUBBER RING				1
39	40000344	LUBRICATING INLET CAP				1
40	CQ200000001	OIL WICK				0.25
41	RO048190100	RUBBER RING				1
42	SS4120615SP	SCREW 3/16-28 L=6				2
43	23630452	OIL FILTER ASM.				1
44	23630601	OIL FILTER JOINT		*		2
45	23630007	TUBE		*		0.09
46	23630106	TUBE B		*		0.04
47	23629405	PIPE STOPPER B		*		2

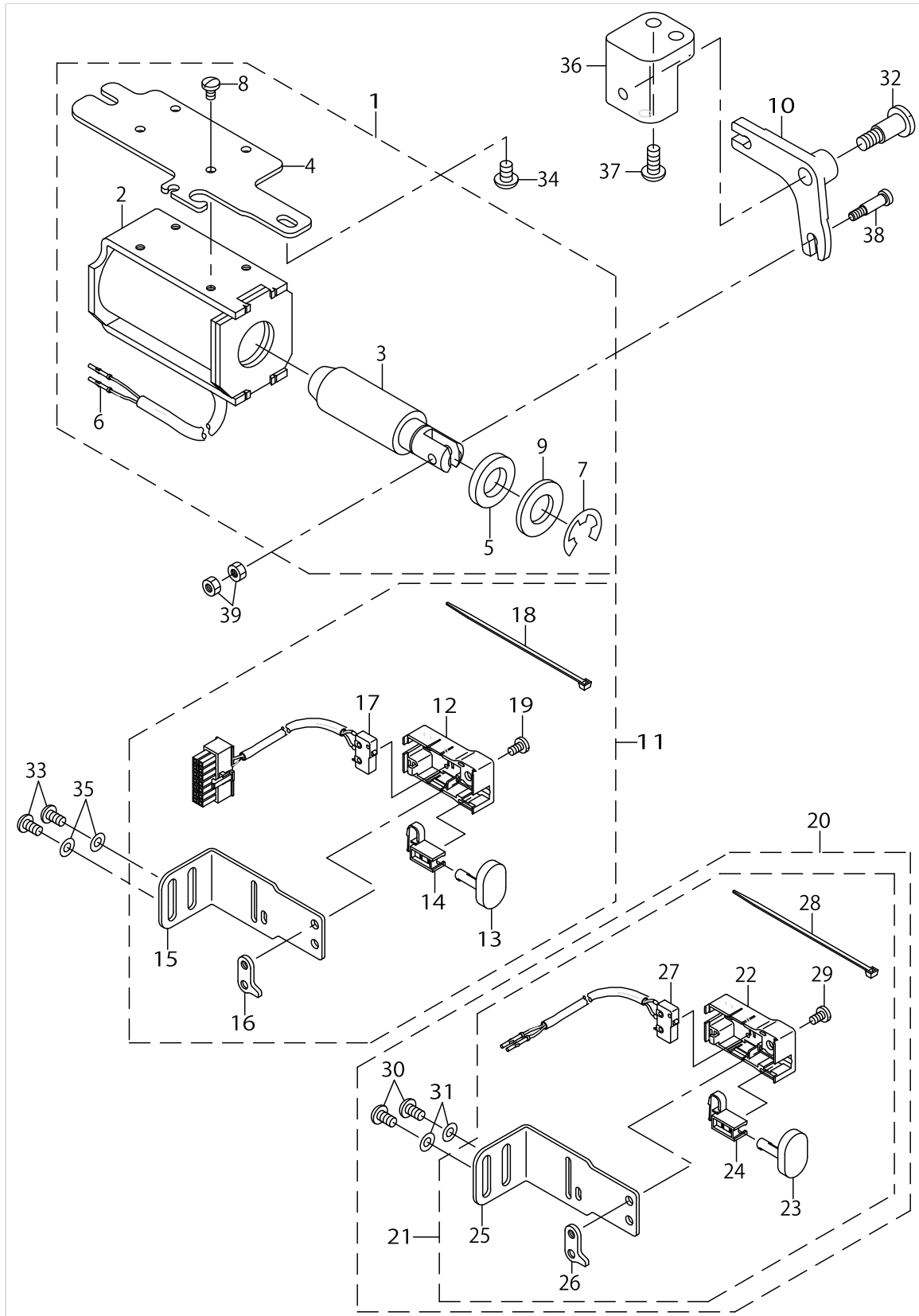
# OIL LUBRICATION COMPONENTS



OIL LUBRICATION COMPONENTS

No.	Parts No.	Parts name	Remarks	Level	Cons	Qty
48	23630403	OIL FILTER		*		1
49	23630502	OIL FILTER STOPPER		*		1
50	40024644	MAGNET WASHER				1
51	ST4040821SS	TAPPING SCREW				1
52	23604705	MAGNET				1

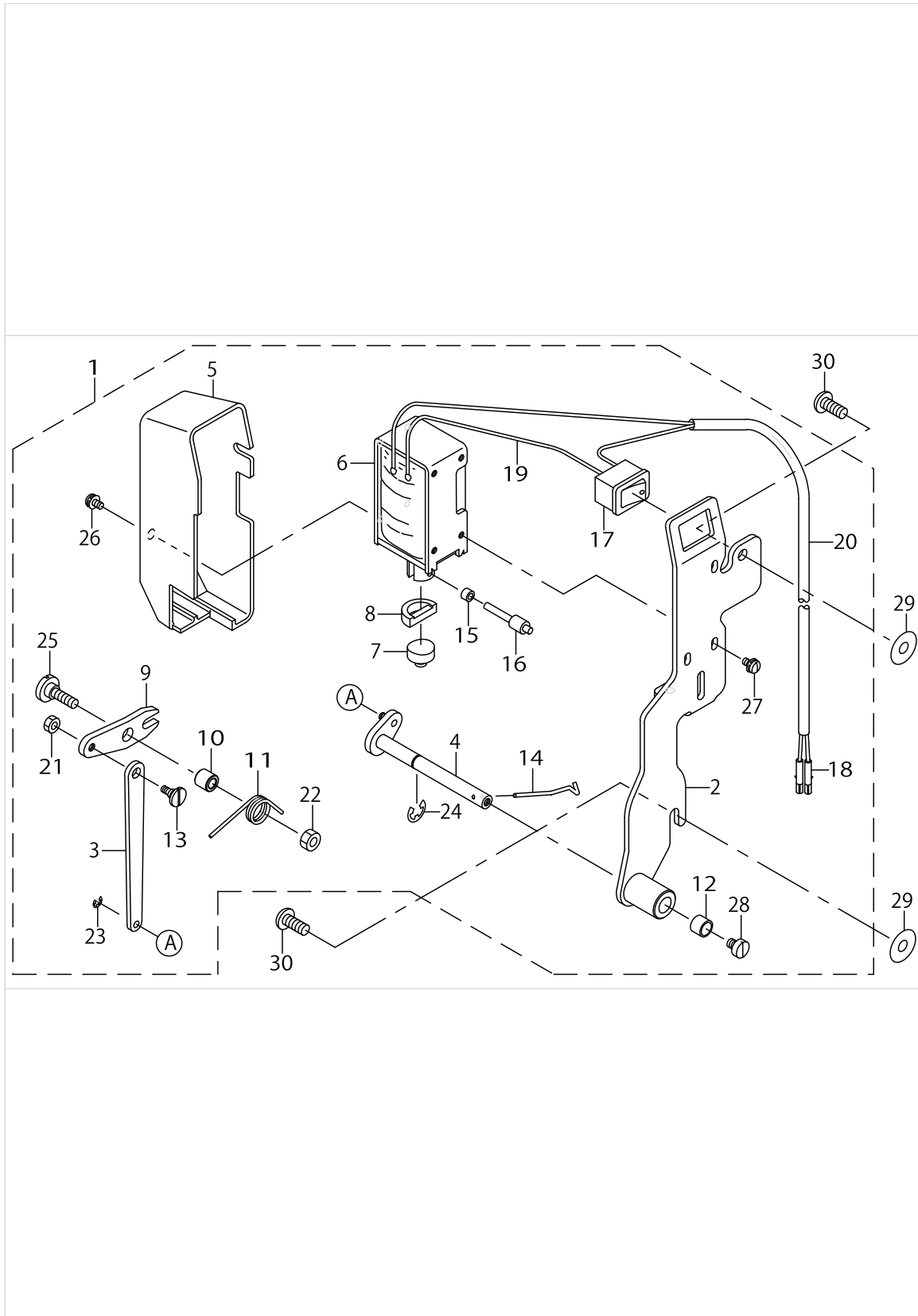
# AUTOMATIC REVERSE FEED COMPONENTS



AUTOMATIC REVERSE FEED COMPONENTS

No.	Parts No.	Parts name	Remarks	Level	Cons	Qty
1	23631054	REVERSE FEED SOLENOID BASE ASM				1
2	23631005	REVERSE FEED SOLENOID		*		1
3	23631104	REVERSE FEED SOLENOID PLUNGER		*		1
4	23631203	REVERSE FEED SOLENOID BASE		*		1
5	D2468555B00	RUBBER PLUNGER		*		1
6	HK03464000B	PIN CONTACT		*		2
7	RE1200000K0	E-RING 12		*		1
8	SS7110740TP	SCREW 11/64-40 L=7		*		4
9	WP1703001SC	WASHER 17X30X3		*		1
10	23631302	REVERSE FEED ARM				1
11	40000349	REVERSE FEED SWITCH ASM.				1
12	23631708	REVERSE FEED SWITCH COVER		*		1
13	23631807	REVERSE FEED SWITCH SHAFT		*		1
14	23631906	REVERSE FEED SWITCH SUPPORT		*		1
15	40000350	REVERSE FEED SWITCH BASE		*		1
16	23632102	REVERSE FEED SWITCH BASE GUIDE		*		1
17	23632359	REVERSE FEED CORD ASM.		*		1
18	EA9500B0100	CABLE BAND		*		1
19	SS7110740TP	SCREW 11/64-40 L=7		*		1
20	40000380	OPTIONAL SWITCH WHOLE ASM.	OPTIONAL PARTS			1
21	40000381	OPTIONAL SWITCH WHOLE ASM.		*		1
22	23631708	REVERSE FEED SWITCH COVER		*		1
23	23631807	REVERSE FEED SWITCH SHAFT		*		1
24	23631906	REVERSE FEED SWITCH SUPPORT		*		1
25	40000350	REVERSE FEED SWITCH BASE		*		1
26	23632102	REVERSE FEED SWITCH BASE GUIDE		*		1
27	23632250	REVERSE FEED CORD ASM.		*		1
28	EA9500B0100	CABLE BAND		*		1
29	SS7110740TP	SCREW 11/64-40 L=7		*		1
30	SS4120915SP	SCREW 3/16-28 L=9		*		2
31	WP0501016SD	WASHER 5X10.5X1		*		2
32	SD0951501SP	HINGE SCREW D= 9.53 H=15				1
33	SS4120915SP	SCREW 3/16-28 L=9				2
34	SS4150915SP	SCREW 15/64-28 L=9				2
35	WP0501016SD	WASHER 5X10.5X1				2
36	40000351	REVERSE FEED BASE				1
37	SS4151415SP	SCREW 15/64-28 L=14				2
38	22962906	PLUNGER ARM PIN				1
39	NS6110350SP	NUT 11/64-40				2

# WIPER COMPONENTS

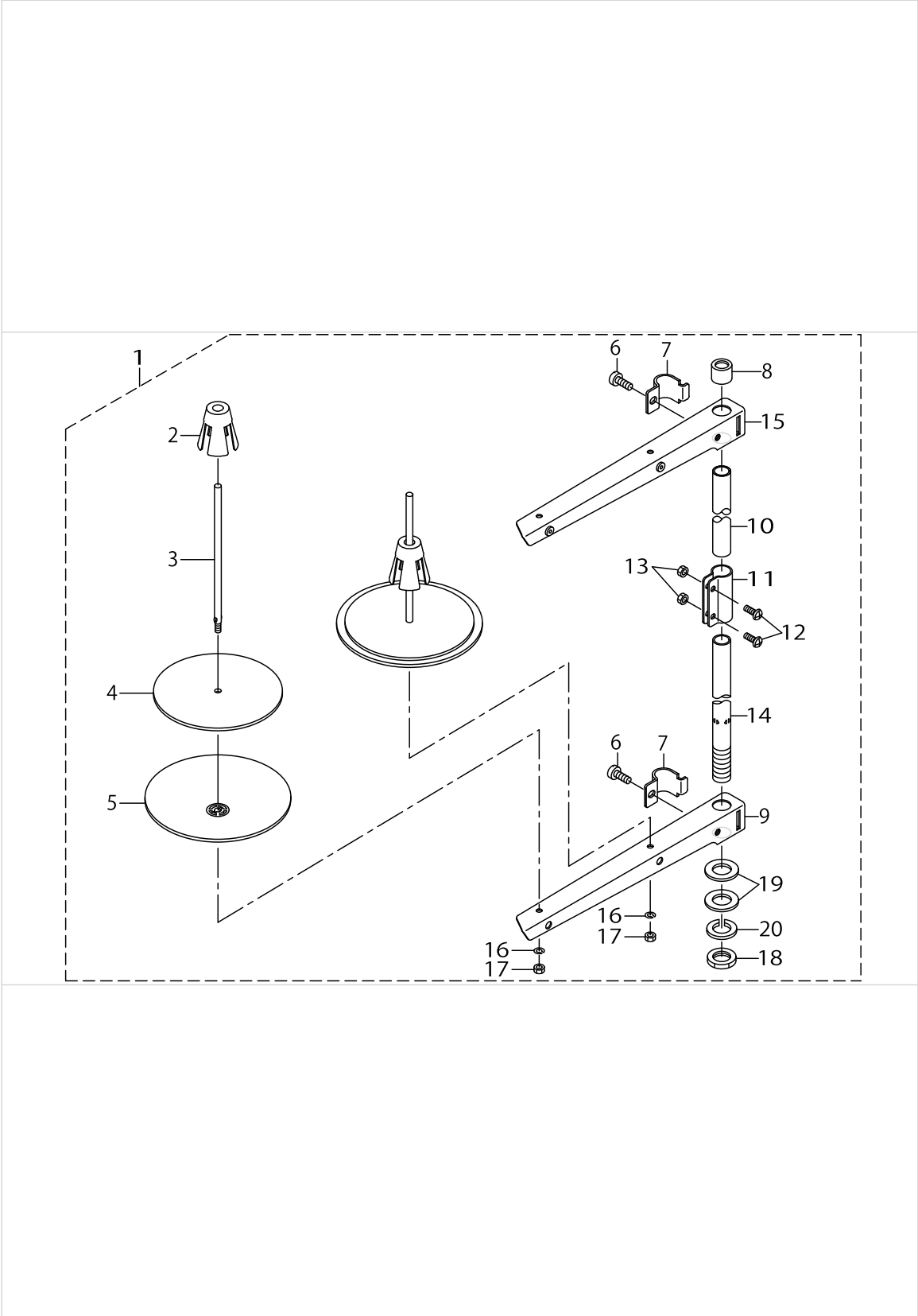


WIPER COMPONENTS

No.	Parts No.	Parts name	Remarks	Level	Cons	Qty
1	40000355	WIPER ASM.				1
2	40000356	WIPER BASE COMPL.		*		1
3	40000358	WIPER LINK B		*		1
4	40000359	WIPER SHAFT COMPL.		*		1
5	22955504	WIPER COVER		*		1
6	11110301	WIPER SOLENOID		*		1
7	22955900	WIPER RUBBER A		*		1
8	22956007	WIPER RUBBER B		*		1
9	22956106	WIPER LINK A		*		1
10	22956205	WIPER HINGE SCREW COLLAR		*		1
11	22956304	WIPER SPRING		*		1
12	22956809	WIPER COLLAR		*		1
13	22956908	WIPER LINK B HINGE SCREW		*		1
14	40000361	WIPER		*		1
15	22957203	WIPER LINK COLLAR		*		1
16	22957104	WIPER SOLENOID SHAFT		*		1
17	HA006000000	SWITCH		*		1
18	HK03464000B	PIN CONTACT		*		2
19	HW200390000	ELECTRIC WIRE		*		0.03
20	HW500070000	2-CORE CABTYRE CORD		*		1.19
21	NS6090310SP	NUT 9/64-40		*		1
22	NS6110310SP	NUT 11/64-40		*		1
23	RE0250000K0	E-RING 2.5		*		1
24	RE0500000K0	E-RING 5		*		1
25	SD0650321TP	HINGE SCREW D=6.5 H=3.2		*		1
26	SL4030631SC	SCREW M3X6		*		1
27	SL4030641SE	SCREW		*		3
28	SS6090540SP	SCREW 9/64-40 L= 5.0		*		1
29	WP0553216SD	WASHER				2
30	SS4121215SP	SCREW 3/16-28 L=12				2



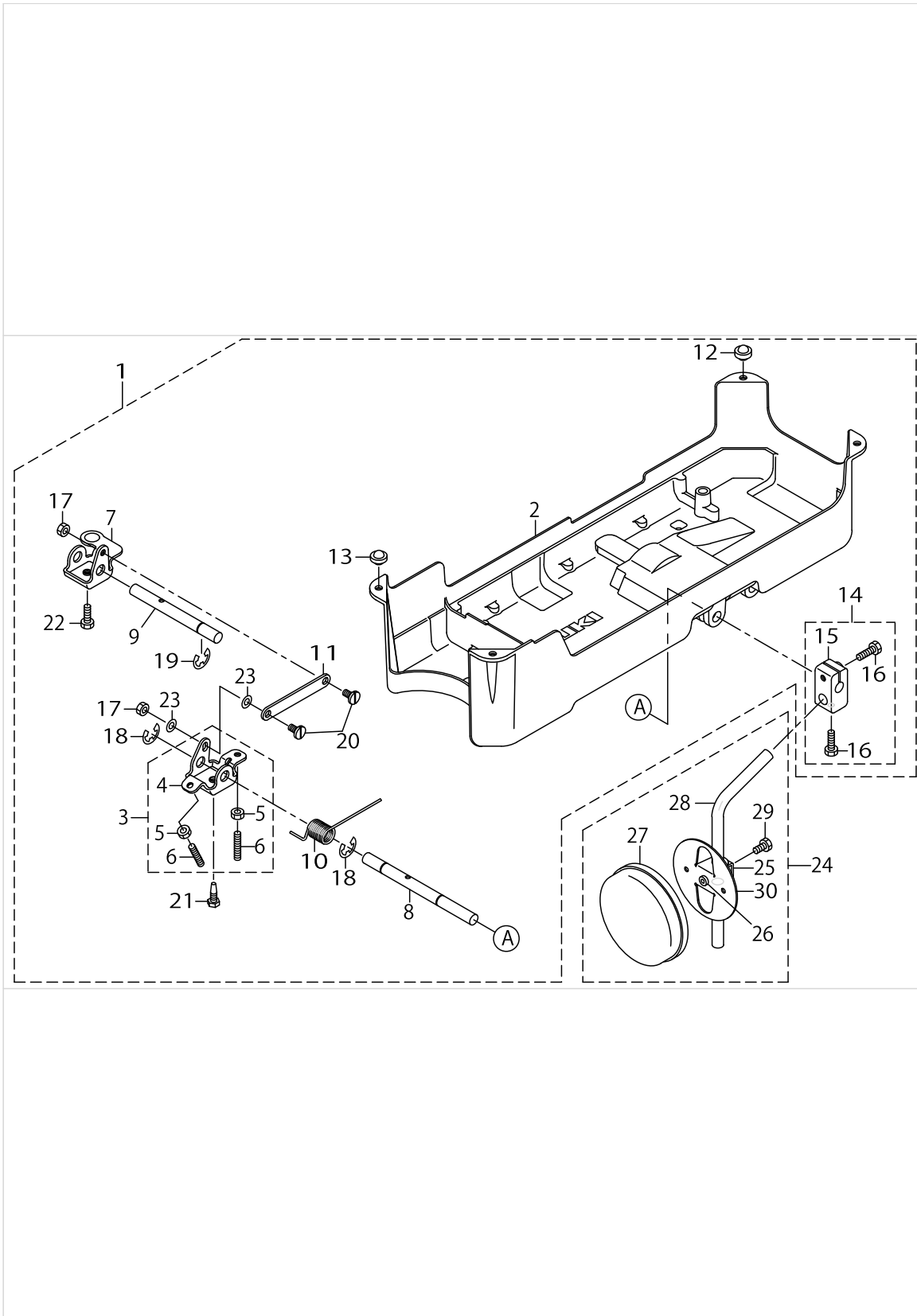
THREAD STAND COMPONENTS



THREAD STAND COMPONENTS

No.	Parts No.	Parts name	Remarks	Level	Cons	Qty
1	22930358	THREAD STAND ASM.				1
2	22931109	SPOOL RETAINER		*		2
3	22931000	SPOOL PIN		*		2
4	22930903	SPOOL REST CUSHION		*		2
5	22930804	SPOOL REST		*		2
6	SM6061610SC	SCREW M6 L=16		*		2
7	22930705	THREAD GUIDE ARM JOINT		*		2
8	22931406	SPOOL REST ROD RUBBER CAP		*		1
9	22930507	SPOOL REST ARM		*		1
10	22930408	SPOOL REST ROD, UPPER		*		1
11	22931307	SPOOL REST ROD JOINT		*		1
12	SM4051405SE	SCREW M5 L=14		*		2
13	NM6050001SE	NUT M5		*		2
14	22930309	SPOOL REST ROD, LOWER		*		1
15	22930556	THREAD STANDING ARM ASM.		*		1
16	WS0510002KN	SPRING WASHER		*		2
17	NM6050001SE	NUT M5		*		2
18	NM6160511SE	NUT M16X1.5		*		1
19	WP1612616SE	WASHER 16X30X2.6		*		2
20	WS1643202KR	SPRING WASHER 16.4X26.6X3.2		*		1

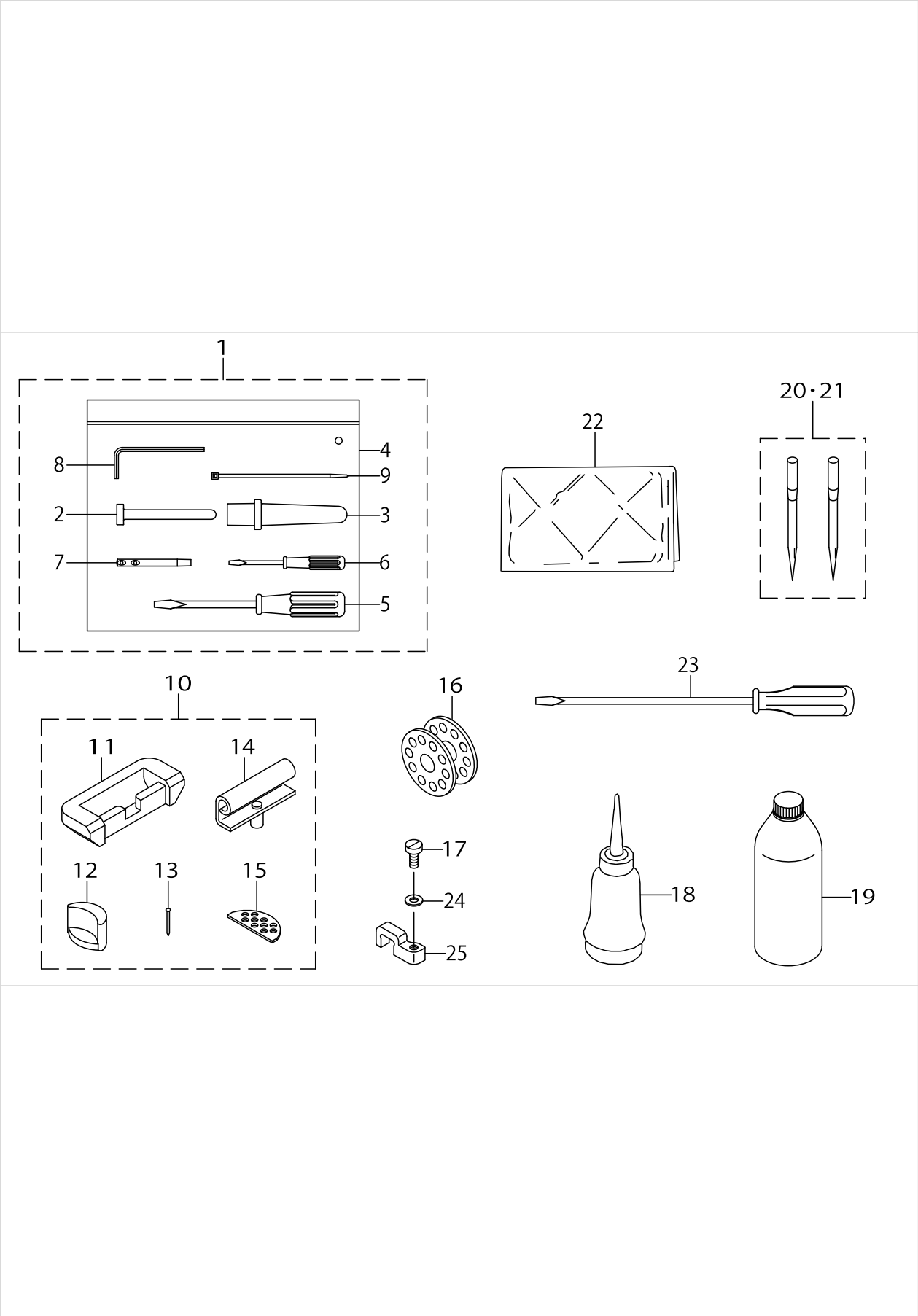
UNDER COVER COMPONENTS



UNDER COVER COMPONENTS

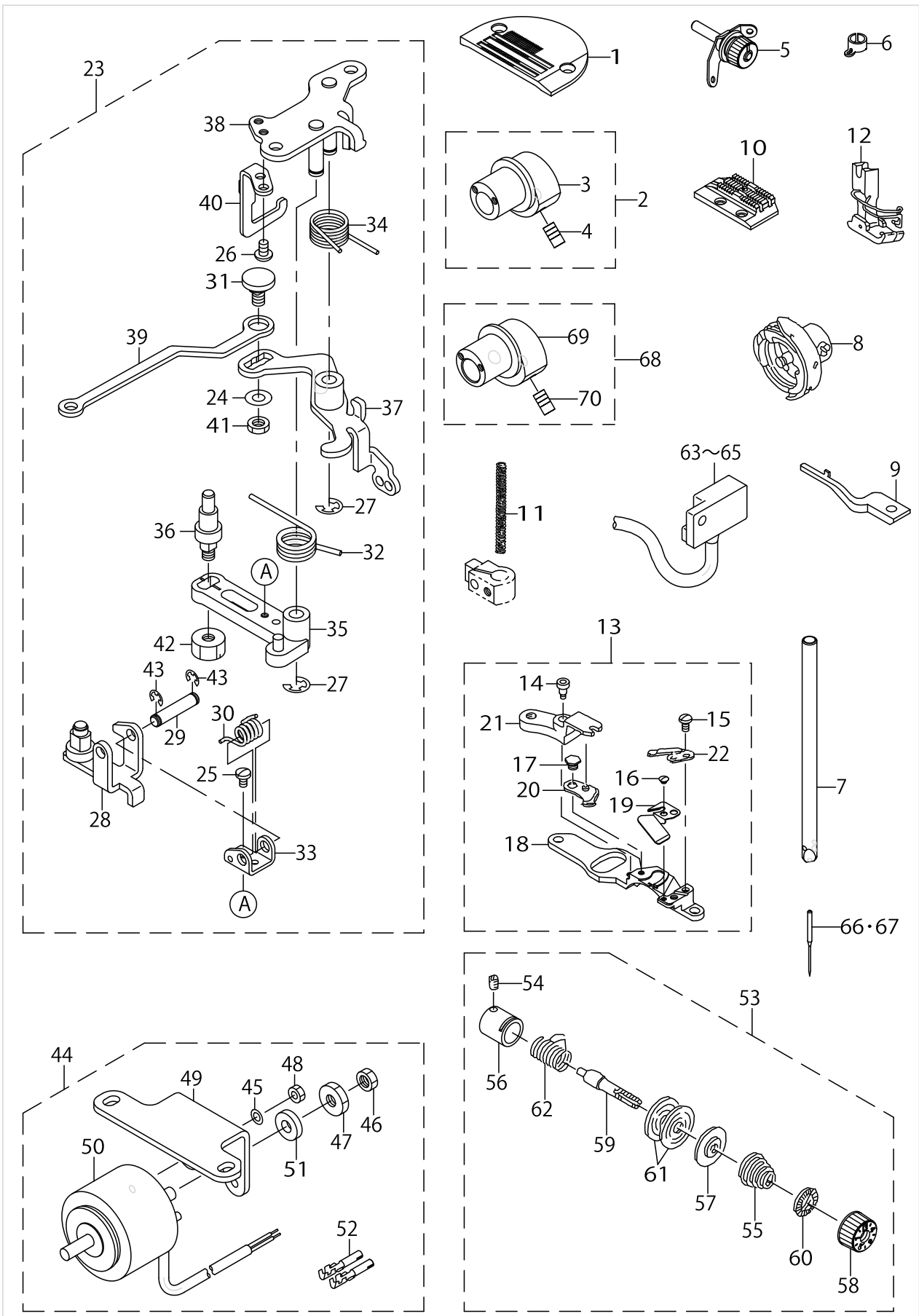
No.	Parts No.	Parts name	Remarks	Level	Cons	Qty
1	23639057	UNDER COVER ASM.				1
2	23639008	UNDER COVER		*		1
3	23639156	BRACKET ASM.		*		1
4	23639107	BRACKET		*		1
5	NM6060001SE	NUT M6		*		2
6	SM8063012TR	SCREW M6 L=30		*		2
7	23639206	CONNECTING ROT		*		1
8	23639305	KNEE PRESS ROD		*		1
9	23639404	SHAFT		*		1
10	23639503	SPRING		*		1
11	23639602	CONNECTING ROD		*		1
12	10162600	RUBBER CUSHION		*		2
13	11047107	RUBBER CUSHION		*		2
14	22932453	BRACKET ASM.		*		1
15	22932404	BRACKET		*		1
16	SM9062053SR	SCREW M6 L=20		*		2
17	NS6150310SP	NUT 15/64-28		*		2
18	RE1000000K0	E-RING 10		*		2
19	RE1000000K0	E-RING 10		*		1
20	SD0720331SP	HINGE SCREW D= 7.24 H= 3.3		*		2
21	SM9061853SR	SCREW M6 L=17.5		*		1
22	SM9061853SR	SCREW M6 L=17.5		*		1
23	WP0650876SD	WASHER 6.5X13X0.8		*		2
24	22934251	KNEE PAD PLATE ASM.				1
25	22934301	KNEE PAD PLATE SUPPORT		*		1
26	22934400	KNEE PAD PLATE RUBBER		*		1
27	22934509	KNEE PAD PLATE COVER		*		1
28	22934608	KNEE PAD UPRIGHT SHAFT		*		1
29	SM9061203SE	SCREW M6 L=12		*		1
30	22934202	KNEE PAD PLATE		*		1

ACCESSORIE PART COMPONENTS



ACCESSORIE PART COMPONENTS

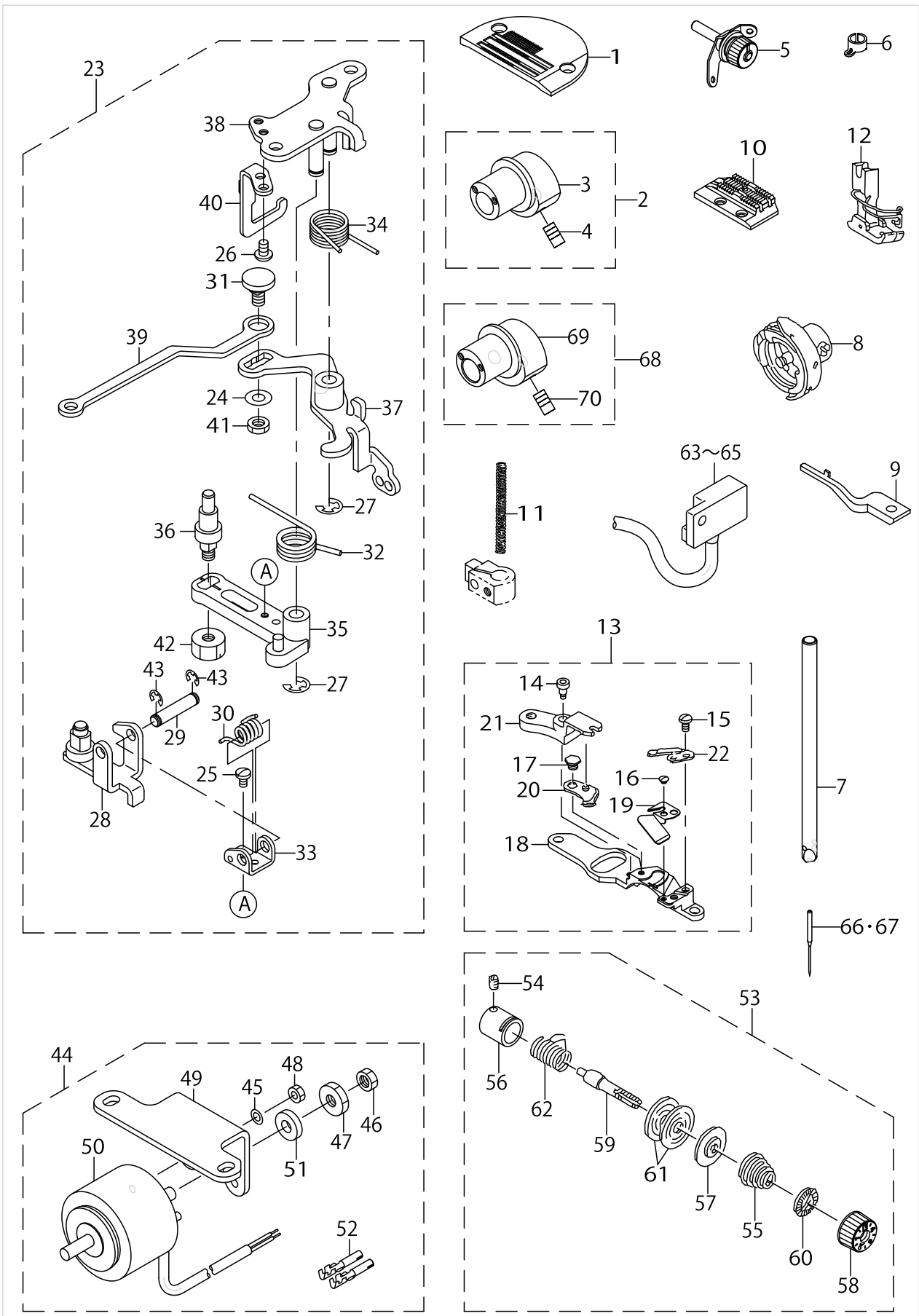
No.	Parts No.	Parts name	Remarks	Level	Cons	Qty
1	40037484	ACCESSORIE BAG ASM.				1
2	23639701	KNEE LIFTER PRESSER ROD		*		1
3	22931604	FRAME SUPPORT BAR		*		1
4	22932800	ACCESSORIE BAG		*		1
5	22933105	SCREW DRIVER,MIDDLE		*		1
6	22933204	SCREW DRIVER,SMALL		*		1
7	22958300	NEEDLE THREAD GUIDE PIN		*		1
8	40055591	HEXAGONAL WRENCH KYE		*		1
9	EA9500B0100	CABLE BAND		*		1
10	22958052	RUBBER HINGE ASM.				1
11	22926000	RUBBER CUSHION		*		2
12	22958003	FRAME BUBBER CUSHION		*		2
13	22926208	NAIL		*		8
14	22926356	HINGE COMPL.		*		2
15	22926505	WASHER		*		2
16	22932909	BOBBIN				1
17	SS6121220TP	SCREW 3/16-28 L=11.5				1
18	B91210120A0	OILER ASM.				1
19	MDFRX1600C0	DEFRIX OIL NO.1(600CC)				1
20	MDB100B1402	NEEDLE DBX1#14-2	FOR DLN-9010SS			1
21	MC200500902	NEEDLE 134 #90-2	FOR DLN-9010SS(JE)			1
22	40070090	HEAD COVER				1
23	22933006	SCREW DRIVER,LARGE				1
24	WP0501016SD	WASHER 5X10.5X1				1
25	40000290	ROCKING BASE SUPPORT				1



EXCLUSIVE PART FOR DLN-9010SH-WB, -0B

No.	Parts No.	Parts name	Remarks	Level	Cons	Qty
1	B1109415H0B	THROAT PLATE (H)				1
2	40000391	VERTICAL FEED CAM ASM. 5	OPTIONAL PARTS			1
3	40000392	VERTICAL FEED CAM 5		*		1
4	SS8151150TP	SCREW 15/64-28 L=10.5		*		2
5	11073954	THREAD TENSION ASM.				1
6	40024124	NEEDLE BAR THREAD GUIDE				1
7	40000396	NEEDLE BAR H				1
8	11321452	LUBRICATING HOOK ASM.				1
9	23646003	POSITIONING FINGER H				1
10	11322203	FEED DOG, H				1
11	B1505552000A	PRESSER SPRING				1
12	B1524041EB0	PRESSER FOOT ASM.				1
13	23645252	KNIFE UNIT H				1
14	SD0460703TP	HINGE SCREW D=4.6 H=7		*		1
15	SS4080620TP	SCREW 1/8-44 L=6		*		2
16	SS2060210SP	SCREW 3/32-56 L=2.3		*		1
17	SD0500131TP	HINGE SCREW D=5 H=1.25		*		1
18	23645203	KNIFE INSTALLING BASE H		*		1
19	23645401	THREAD GUIDE FOR KNIFE H		*		1
20	11409257	MOVING KNIFE J ASM.		*		1
21	11095601	KNIFE BRANCH		*		1
22	11409604	FIX KNIFE		*		1
23	23623176	THREAD TRIMMER DRIVING UNIT H				1
24	WP0621016SH	WASHER		*		1
25	SS7090610SP	SCREW 9/64-40 L=6		*		1
26	SS4110715SP	SCREW 11/64-40 L=7		*		2
27	RE0600000K0	E-RING 6		*		2
28	11040953	ROLLER ARM ASM.		*		1
29	11041407	ROLLER FULCRUM SHAFT		*		1
30	22949200	ROLLER RETURN SPRING		*		1
31	11042306	PICKER LINK PIN		*		1
32	22949309	KNIFE RETURN SPRING B		*		1
33	11094307	ROLLER ARM BRACKET		*		1
34	11094406	SPRING		*		1
35	23623150	KNIFE DRIVING ARM ASM.		*		1
36	23623200	MOVING KNIFE LINK PIN		*		1
37	23623358	CLUTCH PLATE ASM.		*		1
38	23623556	BASE PLATE ASM.		*		1
39	23623705	PICKER LINK		*		1
40	23623804	DRIVING ARM STOPPER		*		1
41	NS6150310SP	NUT 15/64-28		*		1
42	NS6150810SP	NUT 15/64-28		*		1
43	RE0400000K0	E-RING 4		*		2
44	23645153	SOLENOID ASM. ,H				1
45	WP0430800SC	WASHER M4		*		2
46	NS6660430SP	NUT 1/4-40		*		1
47	NS6660410SH	NUT		*		1





EXCLUSIVE PART FOR DLN-9010SH-WB, -0B

No.	Parts No.	Parts name	Remarks	Level	Cons	Qty
48	NM6040000SN	NUT M4		*		2
49	23645005	SOLENOID BASE H		*		1
50	23645104	SOLENOID H		*		1
51	11043304	SOLENOID RUBBER		*		1
52	HK03464000B	PIN CONTACT		*		2
53	23626062	THREAD TENSION ASM. ,H				1
54	SS8090670SP	SCREW 9/64-40 L= 5.5		*		1
55	22962005	THREAD TENSION SPRING		*		1
56	22945307	THREAD TENSION POST BASE		*		1
57	22921803	DISK STOPPER		*		1
58	23626005	THREAD TENSION NUT		*		1
59	22921209	THREAD TENSION POST		*		1
60	22921407	ROTATION STOPPER		*		1
61	22921506	THREAD TENSION DISK		*		2
62	22921605	THREAD TAKE-UP SPRING		*		1
63	40000393	RESISTOR PACK AF ASM.	FOR GENERAL EXPORT			1
64	40000394	RESISTOR PACK AD ASM.	FOR JE			1
65	40000395	RESISTOR PACK AA ASM.	FOR JA			1
66	MDB100B2100	NEEDLE DBX1 #21	FOR GENERAL EXPORT,JA			1
67	MC200501300	NEEDLE 134 NM130	FOR JE			1
68	23619059	VERTICAL FEED CAM H ASM.				1
69	23619000	VERTICAL FEED CAM H		*		1
70	SS8151150TP	SCREW 15/64-28 L=10.5		*		2

# TABLE & STAND COMPONENTS

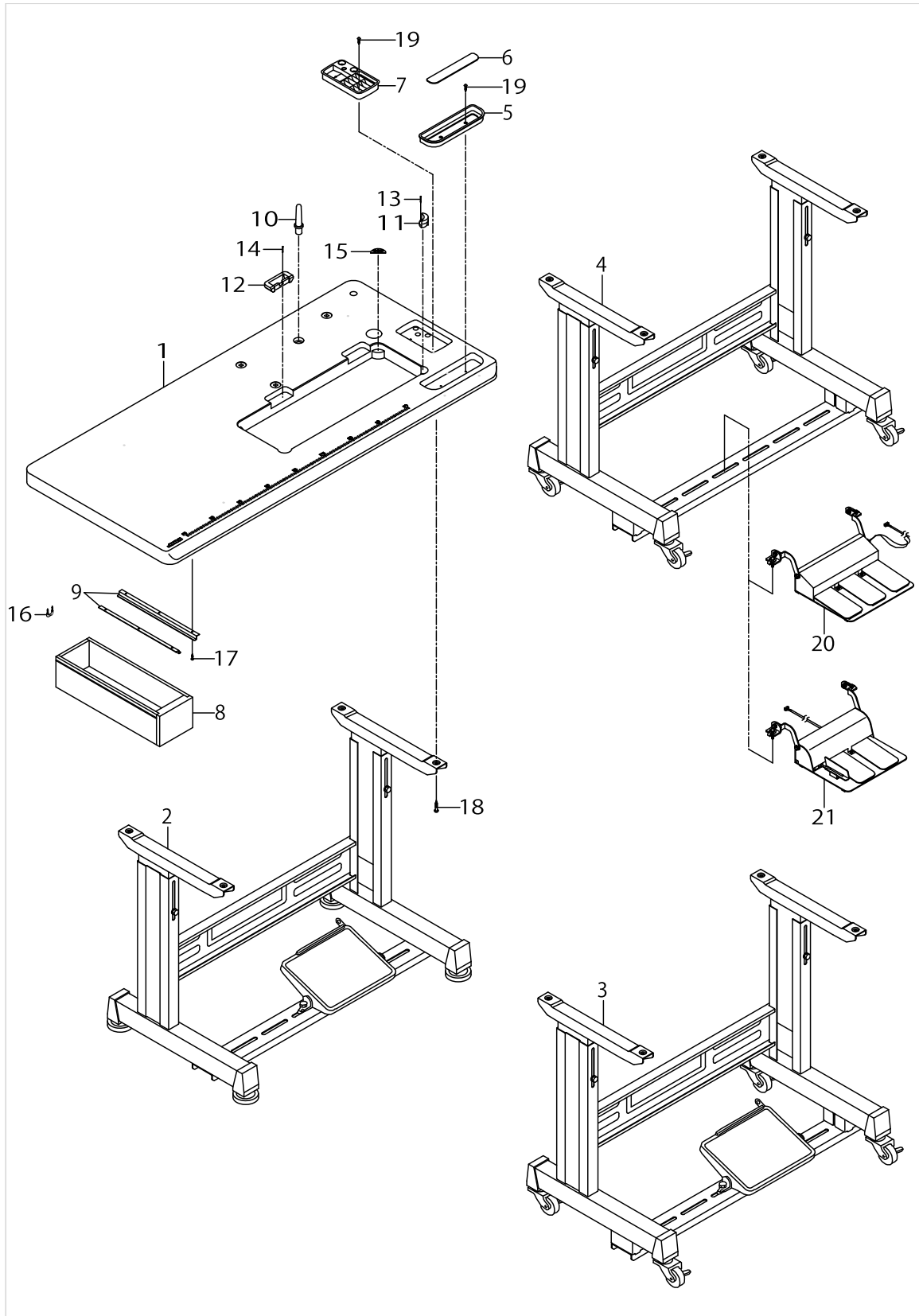


TABLE & STAND COMPONENTS

No.	Parts No.	Parts name	Remarks	Level	Cons	Qty
1	23642200	TABLE				1
2	11157567	T LEG JUNCTION	FOR JT-D950			1
3	11159365	T STAND JUNCTION	FOR JT-D952			1
4	11159357	T-STAND ASM.	FOR JT-D95J,-D95K			1
5	11156007	CASE				1
6	11155801	CASE MAGNET				1
7	11155751	CASE ASM. B				1
8	11155108	DRAWER				1
9	11155207	DRAWER SUPPORT				2
10	11073103	RUBBER CUSHION	EXCEPT AK TYPE			1
11	11075900	RUBBER SPACER				2
12	11075801	RUBBER SPACER				2
13	B8210012000	CUSHION SET NAIL				4
14	B8210012000	CUSHION SET NAIL				4
15	D8226555E00	FRAME RUBBER CUSHION A				2
16	D8204555D00	DRAWER STOPPER				1
17	SK3311600SE	WOOD SCREW D=3.1 L=16				6
18	SK3513200SC	WOOD SCREW D=5.1 L=32				4
19	SK3382001SC	WOOD SCREW D=3.8 L=20				4
20	GPK700010A0	3-JOINT PEDAL, 70	FOR JT-D95J,-D95K			1
21	GPK710010A0	2-PEDAL ASM., 71	FOR JT-D95J,-D95K			1



## HOW TO MAKE USE OF THIS PARTS LIST

### 1.Explanation of codes

1)"\*"mark.....means this part is changed from the previous parts book.

As to the details of the change, refer to the "List for information of change".

2)"#01".....refer to "Note" explanation at bottom of page.

### 2.Codes on the "Qty" column

- Each numeral indicates the number of parts required.
- "0.1" and "2.5" indicate the length (in meters) of the respective parts.

3.Parentheses mean that the corresponding part is a subpart that constructs an assembly part.

4.Dotted lines on the Figures indicate assembly parts.

### 1."注記"欄の記号説明

1) "\*"印.....前回のパーツブックに比較して今回変更された部品を意味します。

変更内容は、"変更情報リスト"を参照してください。

2) "#01".....ページ下の"注記"の説明を参照してください。

2.数量欄の数字は、個数を表し、0.1、2.5等の数値は、長さ（単位メートル）を表します。

3.数量欄の（ ）は、組部品を構成している子部品であることを意味します。

4.イラストページの-----枠は、組構成であることを意味します。

NUMERICAL INDEX OF PARTS

PART NO	PAGE	REF NO.	PART NO	PAGE	REF NO.	PART NO	PAGE	REF NO.
10162600	42	12	11322203	46	10	22926505	44	15
10502300	8	25	11409257	46	20	22930309	40	14
10548501	20	52	11409604	46	22	22930358	40	1
11015906	24	82	11433802	16	57	22930408	40	10
11038650	24	68·69·79	14113450	8	31	22930507	40	9
11040953	26	18	22890008	24	70	22930556	40	15
11040953	46	28	22891204	10	40	22930705	40	7
11041407	26	20	22901201	2	14·15	22930804	40	5
11041407	46	29	22901250	2	12·13	22930903	40	4
11042306	46	31	22901300	2	16·17	22931000	40	3
11042850	28	50	22901805	4	91	22931109	40	2
11043304	26	41	22902506	2	10	22931307	40	11
11043304	48	51	22902605	2	19	22931406	40	8
11043700	26	22	22902704	2	14·15	22931604	44	3
11047107	42	13	22902753	2	12·13	22932404	42	15
11072402	8	30	22904106	22	23	22932453	42	14
11073103	50	10	22904155	22	22	22932800	44	4
11073954	46	5	22906408	10	30	22932909	24	71
11075801	50	12	22906457	10	29	22932909	44	16
11075900	50	11	22907406	14	24	22933006	44	23
11094307	46	33	22907604	14	21	22933105	44	5
11094406	46	34	22907802	14	22	22933204	44	6
11095601	46	21	22908909	14	20	22934202	42	30
11110301	38	6	22911002	22	19	22934251	42	24
11141355	24	68·69·79	22911101	22	20	22934301	42	25
11155108	50	8	22911804	18	32	22934400	42	26
11155207	50	9	22912000	18	29	22934509	42	27
11155751	50	7	22912109	18	33	22934608	42	28
11155801	50	6	22916506	24	81	22944508	14	42
11156007	50	5	22916555	24	80	22945307	4	57
11157567	50	2	22920607	4	60	22945307	48	56
11159357	50	4	22921209	4	51	22945414	4	62
11159365	50	3	22921209	48	59	22945463	4	61
11214509	30	28	22921407	4	52	22945505	4	64
11232105	26	5	22921407	48	60	22945604	4	63
11244019	16	55	22921506	4	53	22945703	4	65
11300308	4	86	22921506	48	61	22945802	4	66
11300407	2	38	22921605	4	54	22949002	26	19
11301702	14	19	22921605	48	62	22949200	26	21
11305513	2	45	22921704	4	55	22949200	46	30
11305901	14	39	22921803	4	56	22949309	46	32
11306107	14	40	22921803	48	57	22949408	26	23
11307006	32	24	22926000	44	11	22950000	26	24
11313053	26	3	22926208	44	13	22950950	28	52
11321452	46	8	22926356	44	14	22952501	18	31

## NUMERICAL INDEX OF PARTS

PART NO	PAGE	REF NO.	PART NO	PAGE	REF NO.	PART NO	PAGE	REF NO.
22954705	2	8	23610801	16	48	23620008	24	56
22955504	38	5	23611056	16	51	23620156	24	57
22955900	38	7	23611106	16	52	23620206	24	58
22956007	38	8	23612500	20	48	23620404	24	73
22956106	38	9	23612609	20	49	23620503	24	61
22956205	38	10	23612716	18	9	23620701	24	62~65
22956304	38	11	23612807	18	11	23620800	24	62~65
22956809	38	12	23613003	18	14	23620909	24	62~65
22956908	38	13	23613052	18	13	23621006	24	62~65
22957104	38	16	23613102	18	16	23621303	24	68·69·79
22957203	38	15	23613300	18	18	23622400	10	38
22958003	44	12	23613409	18	19	23623002	26	2
22958052	44	10	23613508	18	20	23623150	26	12
22958300	44	7	23613607	18	21	23623150	46	35
22962005	48	55	23613706	18	22	23623168	26	11
22962906	36	38	23613805	18	23	23623176	46	23
23600208	2	1	23613953	18	24	23623200	26	13
23600505	2	4	23614308	18	27	23623200	46	36
23600604	2	5	23614407	18	46	23623358	26	14
23600703	2	6	23616006	22	2	23623358	46	37
23600802	2	7	23616055	22	1	23623556	26	15
23601057	4	89	23616105	22	4	23623556	46	38
23601305	2	9	23616204	22	5	23623705	26	16
23604010	10	1	23616303	22	6	23623705	46	39
23604119	10	3	23616402	22	7	23623804	26	17
23604168	10	2	23616501	22	9	23623804	46	40
23604457	10	10	23616550	22	8	23623903	26	32
23604655	10	18	23616709	22	12	23624000	26	33
23604705	34	52	23616808	22	14	23624109	26	35
23604754	10	14	23616857	22	13	23624158	26	34
23604804	10	13	23616907	22	17	23624257	26	36
23605009	10	17	23617053	24	75	23624307	26	39
23605256	10	19	23618002	24	84	23624356	26	38
23607302	10	23	23618051	24	83	23624406	26	40
23609001	14	1	23618101	22	40	23624505	28	48
23609209	14	3	23618200	22	41	23624554	26	47
23609456	14	6	23618309	22	42	23626005	4	50
23609605	14	7	23618408	22	43	23626005	48	58
23609803	14	13	23618606	22	45	23626054	4	49
23609902	14	14	23618705	22	46	23626062	48	53
23610207	14	16	23618804	22	47	23626104	4	59
23610306	14	17	23619000	48	69	23628100	32	2
23610504	16	53	23619059	48	68	23628209	32	33
23610652	16	54	23619109	24	77	23628357	32	3
23610702	16	56	23619158	24	76	23628555	32	4



# NUMERICAL INDEX OF PARTS

PART NO	PAGE	REF NO.	PART NO	PAGE	REF NO.	PART NO	PAGE	REF NO.
23628704	32	5	23639503	42	10	40000265	24	67
23628803	32	35	23639602	42	11	40000270	10	37
23628902	32	36	23639701	44	2	40000281	30	1
23629009	32	37	23642200	50	1	40000289	30	2
23629108	32	6	23645005	48	49	40000290	44	25
23629306	32	10	23645104	48	50	40000291	30	4
23629405	32	47	23645153	46	44	40000292	30	5
23629504	32	12	23645203	46	18	40000293	30	7
23629702	32	16	23645252	46	13	40000295	30	9
23629801	32	14	23645401	46	19	40000296	30	10
23629900	4	82	23646003	46	9	40000298	30	13
23630007	18	47	26260109	8	2	40000299	30	14
23630007	32	45	26260208	8	3	40000301	30	15
23630106	32	46	26260307	8	4	40000302	30	16
23630205	32	30	26260406	8	5	40000304	30	19
23630403	34	48	26260505	8	6	40000307	30	20
23630452	32	43	26260604	8	7	40000308	30	21
23630502	34	49	26260802	8	8	40000309	30	24
23630601	32	44	26261008	8	9	40000311	30	25
23631005	36	2	26261206	8	10	40000322	26	1
23631054	36	1	26261305	8	11	40000323	26	6
23631104	36	3	26261503	8	12	40000324	26	7
23631203	36	4	26261602	8	13	40000327	14	36
23631302	36	10	26261701	8	14	40000332	14	38
23631708	36	22	40000209	2	2	40000333	14	28
23631807	36	23	40000210	2	3	40000334	14	37
23631906	36	24	40000212	2	25	40000339	32	7
23632102	36	26	40000214	4	92~94	40000340	32	8
23632250	36	27	40000215	4	92~94	40000342	32	23
23632359	36	17	40000216	6	92~94	40000343	32	13
23636657	8	29	40000220	10	25·27	40000344	32	39
23638000	4	72	40000221	10	25·27	40000349	36	11
23638059	4	71	40000227	14	2	40000350	36	25
23638109	4	73	40000228	14	4	40000351	36	36
23638208	4	74	40000229	14	8	40000355	38	1
23638307	4	75	40000230	14	12	40000356	38	2
23638406	4	76	40000231	14	15	40000358	38	3
23638554	4	77	40000232	14	18	40000359	38	4
23639008	42	2	40000233	14	23	40000361	38	14
23639057	42	1	40000247	22	11	40000380	36	20
23639107	42	4	40000248	24	72	40000381	36	21
23639156	42	3	40000249	22	18	40000391	46	2
23639206	42	7	40000257	22	37	40000392	46	3
23639305	42	8	40000258	22	38	40000393	48	63~65
23639404	42	9	40000264	24	66	40000394	48	63~65

NUMERICAL INDEX OF PARTS

PART NO	PAGE	REF NO.	PART NO	PAGE	REF NO.	PART NO	PAGE	REF NO.
40000395	48	63~65	40061545	20	61	HK03464000B	26	42
40000396	46	7	40061560	20	59	HK03464000B	36	6
40009724	20	51	40070090	44	22	HK03464000B	38	18
40009727	18	26	B1109415H0B	46	1	HK03464000B	48	52
40009729	20	57	B1414555000	10	32	HW200390000	38	19
40009730	18	5	B1418552A00	12	47	HW500070000	38	20
40009731	20	50	B1505552000A	46	11	M68014710A0	10	44
40009789	20	54	B1521555000	14	25	MC200500900	10	26·28
40010434	10	39	B1524041EB0	46	12	MC200500902	44	20·21
40011144	8	15	B1905541A00	30	29	MC200501300	48	66·67
40011344	32	1	B1905541B00	30	30	MDB100B1400	10	26·28
40011711	22	44	B1905541C00	30	31	MDB100B1402	44	20·21
40011723	18	30	B1905541D00	30	32	MDB100B2100	48	66·67
40011724	20	55	B2906415000	30	33	MDFRX1600C0	44	19
40012032	18	6	B3118552I00	4	84	NM6040000SN	26	43
40013470	18	17	B3126012000	8	32	NM6040000SN	48	48
40014837	8	16	B3538112000	2	21	NM6050001SE	40	17
40020454	10	33	B412352200A	22	28~30	NM6060001SE	42	5
40020455	10	35	B412352200B	22	28~30	NM6160511SE	40	18
40022407	2	11	B412352200C	22	28~30	NS6090310SP	2	46
40022407	32	9	B8210012000	50	14	NS6090310SP	38	21
40023021	8	1	B91210120A0	44	18	NS6110310SP	18	36
40023022	8	17	CM300200001	2	23	NS6110310SP	38	22
40023289	18	28	CM300200003	2	24	NS6110350SP	36	39
40023290	28	54	CM301300001	2	22	NS6110530SP	8	34
40023291	8	26	CM600100101	4	48	NS6150310SP	14	47
40024124	46	6	CQ200000001	32	40	NS6150310SP	18	37
40024644	34	50	CS064061ASP	14	10	NS6150310SP	26	25
40028014	10	43	CS1111101CSH	18	34	NS6150310SP	30	35
40029963	22	21	CS120101BSH	30	34	NS6150310SP	42	17
40031605	24	90	D1524415BBC	14	26	NS6150310SP	46	41
40031606	24	88	D1609415B00	22	25	NS6150430SP	30	36
40031607	24	87	D2468555B00	36	5	NS6150810SP	26	26
40031608	24	86	D7133555B00	8	33	NS6150810SP	46	42
40033391	18	1	D8204555D00	50	16	NS6620310SP	14	44
40033392	18	2	D8226555E00	50	15	NS6660410SH	26	44
40033393	18	3	EA9500B0100	4	78	NS6660410SH	46	47
40037484	44	1	EA9500B0100	10	45	NS6660430SP	26	45
40039946	10	22	EA9500B0100	36	28	NS6660430SP	46	46
40044877	24	59	EA9500B0100	44	9	RC0150001KP	22	31
40044906	10	11	GAKA1843000	14	30	RC0560711KP	8	18
40051473	10	8	GPK700010A0	50	20	RE0250000K0	38	23
40052274	18	12	GPK710010A0	50	21	RE0300000K0	14	41
40055585	18	8	HA006000000	38	17	RE0400000K0	8	19
40055591	44	8	HK034610040	4	79	RE0400000K0	26	27

# NUMERICAL INDEX OF PARTS

PART NO	PAGE	REF NO.	PART NO	PAGE	REF NO.	PART NO	PAGE	REF NO.
RE0400000K0	46	43	SL6052592TN	10	7	SS4150915SP	8	27
RE0500000K0	14	11	SM4021201SC	4	80	SS4150915SP	28	60
RE0500000K0	18	38	SM4051405SE	40	12	SS4150915SP	36	34
RE0500000K0	38	24	SM5040655SN	8	20	SS4151415SP	36	37
RE0600000K0	26	28	SM6040602TP	14	9	SS6060210SP	2	18
RE0600000K0	46	27	SM6051602TP	30	6	SS6090540SP	38	28
RE1000000K0	42	19	SM6061610SC	40	6	SS6090620TP	8	28
RE1200000K0	36	7	SM6061802TP	20	60	SS6090620TP	22	34
RO029180100	32	34	SM8040412TP	18	4	SS6090620TP	26	37
RO037180100	14	29	SM8040802TP	8	21	SS6090620TP	32	29
RO044240100	16	50	SM8050502TP	8	22	SS6090660TP	30	39
RO048190100	32	41	SM8051610SP	10	34	SS6090670TP	10	31
RO068190100	32	38	SM80608A2TP	10	24	SS6090670TP	18	42
RO080150200	4	83	SM80608A2TP	18	41	SS6090670TP	22	54
RO092270200	18	40	SM8063012TR	42	6	SS6090670TP	24	54
RO098240100	32	25	SM9061203SE	42	29	SS6090810TP	14	45
RO195240100	32	26	SM9061853SR	42	22	SS6110610TP	4	69
SB117000400	24	51	SM9062053SR	42	16	SS6110650TP	24	60
SB120000800	10	21	SS1120710SP	2	44	SS6110710TP	24	55
SB120001000	24	52	SS2060210SP	26	9	SS6110710TP	28	49
SB307000200	10	41	SS2060210SP	46	16	SS6111010TP	24	74
SB309000400	30	38	SS2110915SP	2	27	SS6121030SN	8	24
SB32000060A	24	48~50	SS2110920TP	2	28	SS6121220TP	44	17
SB32000060B	24	48~50	SS4080620TP	22	32	SS6121610SP	18	25
SB32000060C	24	48~50	SS4080620TP	26	10	SS6121610SP	22	10
SD0460703TP	26	8	SS4080620TP	46	15	SS6121840SP	18	43
SD0460703TP	46	14	SS4110615SP	4	81	SS6121860SP	18	44
SD0500095TH	26	4	SS4110715SP	2	67	SS6151920TP	10	42
SD0500131TP	46	17	SS4110715SP	4	67	SS6151920TP	18	45
SD0600321SP	28	55	SS4110715SP	14	46	SS6660610TP	28	51
SD0630275SP	28	56	SS4110715SP	26	58	SS6661110SP	20	58
SD0640261SP	16	59	SS4110715SP	28	58	SS7080510TP	10	36
SD0641452TP	28	57	SS4110715SP	46	26	SS7090610SP	26	30
SD0650321TP	38	25	SS4120615SP	2	90	SS7090610SP	46	25
SD0720331SP	42	20	SS4120615SP	4	90	SS7091110TP	14	33
SD0800801TP	30	26	SS4120615SP	14	43	SS7091110TP	30	3
SD0800802TP	30	27	SS4120615SP	32	42	SS7110410SP	14	32
SD0951501SP	36	32	SS4120915SP	2	33	SS7110540SP	2	36
SK3311600SE	50	17	SS4120915SP	18	7	SS7110740TP	22	36
SK3382001SC	50	19	SS4120915SP	36	33	SS7110740TP	36	29
SK3513200SC	50	18	SS4121015SP	14	31	SS7111410TP	14	35
SL4030631SC	38	26	SS4121015SP	32	28	SS7112420SP	24	91
SL4030641SE	38	27	SS4121215SP	4	88	SS7112420SP	30	40
SL4040881SC	10	46	SS4121215SP	38	30	SS7121410TP	22	15
SL6052592TN	2	26	SS4150915SP	2	35	SS7121410TP	30	22

## NUMERICAL INDEX OF PARTS

PART NO	PAGE	REF NO.	PART NO	PAGE	REF NO.
SS7681650TP	10	4	WP0651001SC	14	27
SS8090670SP	4	58	WP0951016SP	20	53
SS8090670SP	48	54	WP1612616SE	40	19
SS8110520TP	28	53	WP1703001SC	36	9
SS8150710TP	4	70	WS0510002KN	40	16
SS8150822TP	24	89	WS0510002KP	18	39
SS8151150TP	22	85	WS0510002KP	32	32
SS8151150TP	24	85	WS1643202KR	40	20
SS8151150TP	46	70			
SS8151150TP	48	70			
SS8660330SP	18	35			
SS8660610TP	10	6			
SS8660610TP	22	24			
SS8660612TP	18	10			
SS8661012TP	22	53			
SS8661012TP	24	53			
SS8681650TP	10	5			
ST4040821SS	34	51			
TA0340201R0	30	8			
TA0850604R0	2	37			
TA1250406R0	2	85			
TA1250406R0	4	85			
TA1250705R0	2	41			
TA1250804R0	2	20			
TA1270502R0	2	42			
TA1470704R0	2	87			
TA1470704R0	4	87			
WP0430800SC	26	46			
WP0430800SC	46	45			
WP0450826SC	8	23			
WP0480856SP	16	58			
WP0480856SP	22	16			
WP0480856SP	30	23			
WP0501016SD	2	47			
WP0501016SD	14	34			
WP0501016SD	32	31			
WP0501016SD	36	35			
WP0501016SD	44	24			
WP0553216SD	38	29			
WP0602016SP	30	41			
WP0621016SD	16	49			
WP0621016SD	30	37			
WP0621016SH	26	31			
WP0621016SH	46	24			
WP0650876SD	42	23			