

MODEL : DLN-6390/DLN-6390-7

List No : 1344-09

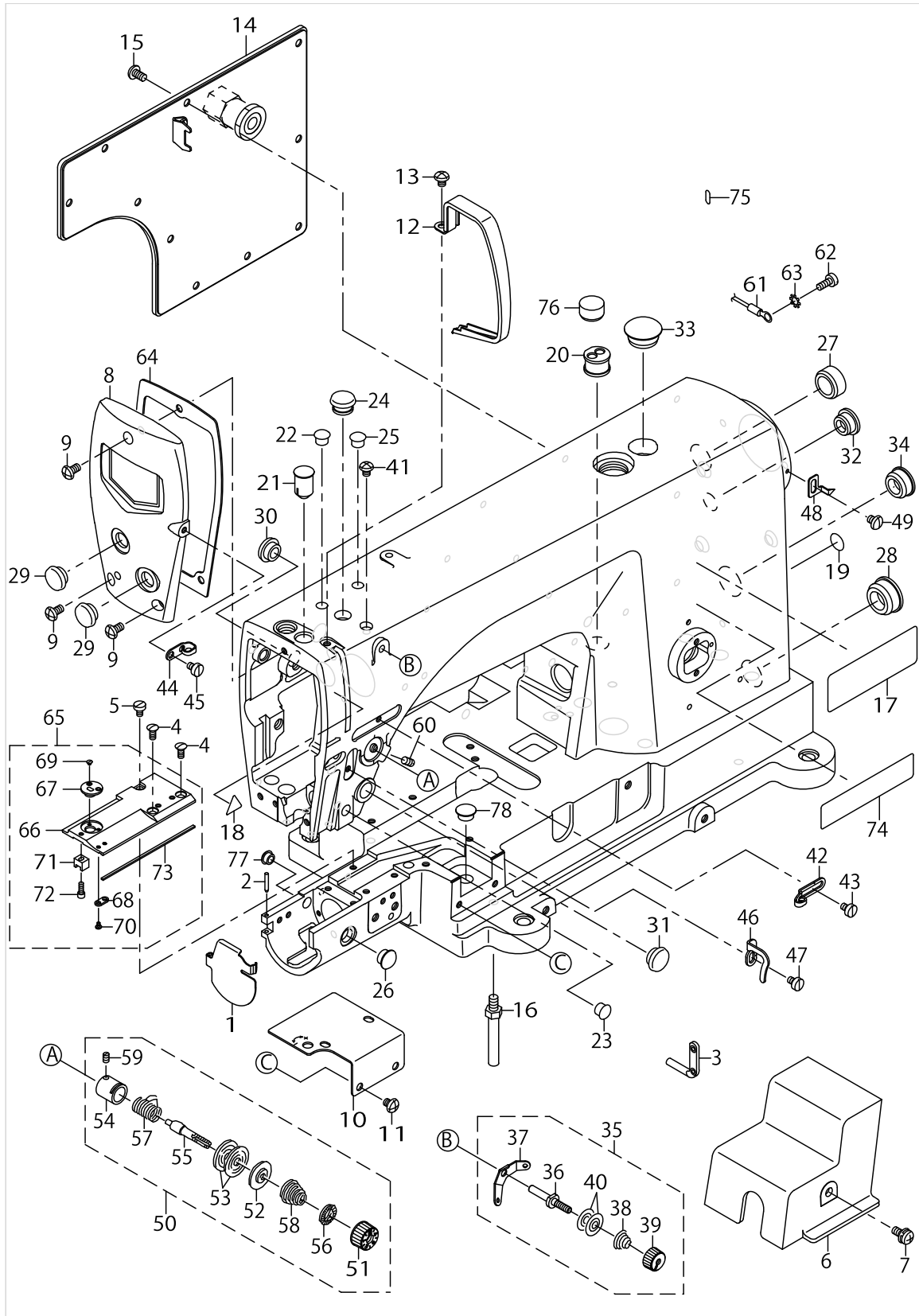
PARTS LIST

Published:02/15/2019

CONTENTS

MACHINE FRAME & MISCELLANEOUS COVER COMPONENTS	1
MAIN SHAFT & THREAD TAKE-UP LEVER COMPONENTS	5
NEEDLE BAR, UPRIGHT SHAFT & HOOK DRIVING SHAFT COMPONENTS	7
HAND LIFTER COMPONENTS	9
FEED MECHANISM COMPONENTS.....	13
NEEDLE FEED MECHANISM COMPONENTS.....	15
THREAD TRIMMER COMPONENTS (EXCLUSIVE PARTS FOR DLN-6390-7).....	19
WIPER COMPONENTS (EXCLUSIVE PARTS FOR DLN-6390-7)	23
HEMMER COMPONENTS	25
OIL LUBRICATION COMPONENTS	27
BELT COVER & BOBBIN COMPONENTS.....	31
THREAD STAND COMPONENTS.....	33
PNEUMATIC & ELECTRIC COMPONENTS (EXCLUSIVE PARTS FOR DLN-6390-7).....	35
TABLE & STAND COMPONENTS (FOR JT-D720).....	37
TABLE & STAND COMPONENTS (FOR JT-D729).....	41
ACCESSORIE PARTS COMPONENTS	45
EXCLUSIVE PARTS FOR DLN-6390.....	47
OPTIONAL PARTS COMPONENTS	51
LIST FOR INFORMATION OF CHANGE.....	55
HOW TO MAKE USE OF THIS PARTS LIST	56

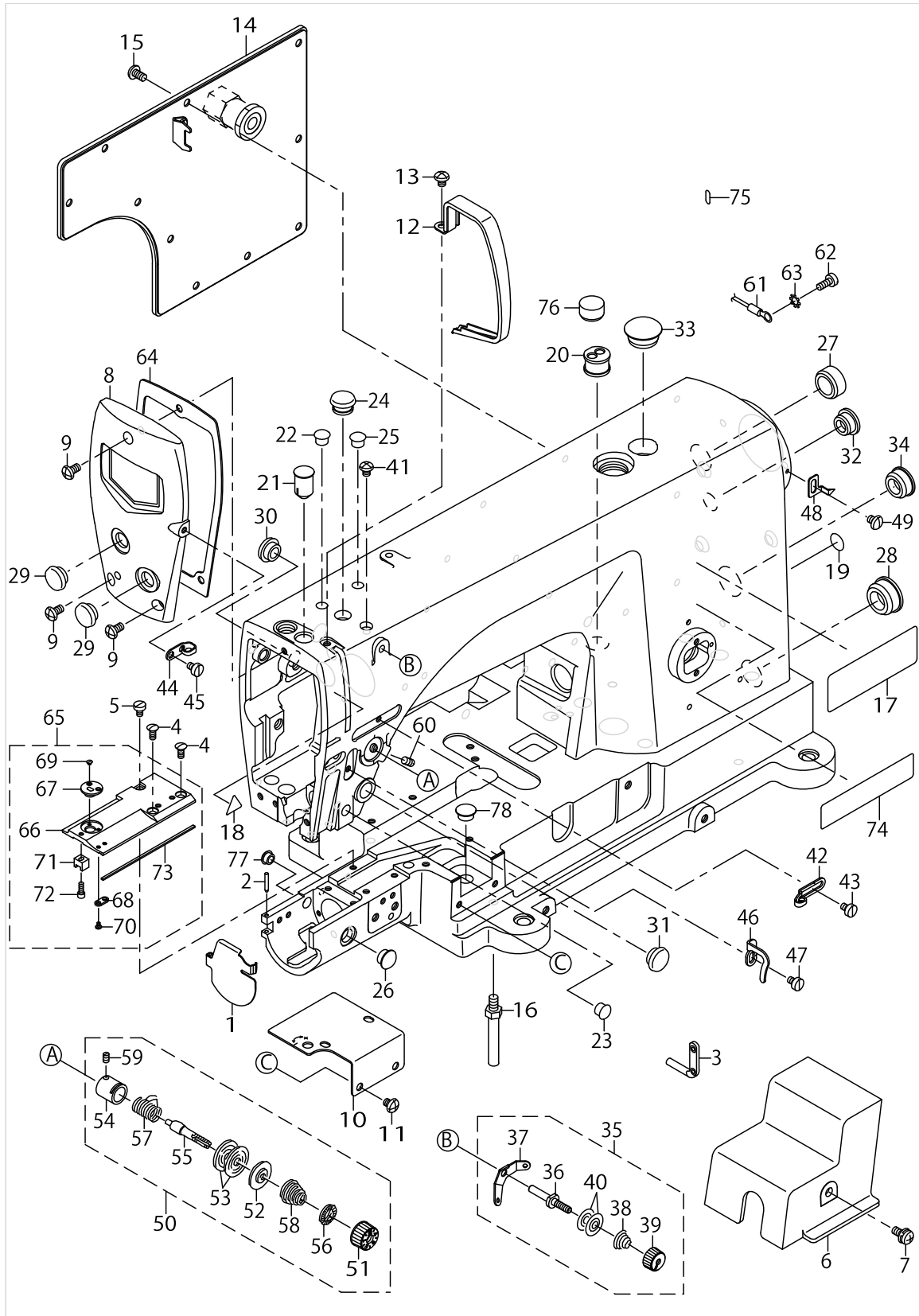
MACHINE FRAME & MISCELLANEOUS COVER COMPONENTS



MACHINE FRAME & MISCELLANEOUS COVER COMPONENTS

No.	Parts No.	Parts name	Remarks	Level	Cons	Qty
1	40003717	CYLINDER COVER				1
2	40068732	HINGE_PIN				1
3	22920706	TWO EYELET	FOR DLN-6390			1
4	SS2110920TP	SCREW 11/64-40 L=8.5				2
5	SS6110670TP	SCREW 11/64-40 L=6.5				1
6	40003725	GEAR COVER				1
7	SL4051291SC	SCREW M5X0.8 L=12				1
8	40003729	FACE PLATE COMPLETE				1
9	SS4120915SP	SCREW 3/16-28 L=9				3
10	40003730	ASSIST THROAT PLATE				1
11	SS4120615SP	SCREW 3/16-28 L=6				4
12	40016547	THREAD TAKE-UP LEVER COVER				1
13	SS4120615SP	SCREW 3/16-28 L=6				1
14	40003736	SIDE PLATE ASM.				1
15	SS4120915SP	SCREW 3/16-28 L=9				10
16	22901003	BED SCREW STUD				4
17	CM301300001	SAFETY LABEL				1
18	CM300200001	ATTENTION SEAL				1
19	22901805	GROUND MARK				1
20	11100104	MAGNET CORD RUBBER	FOR DLN-6390-7			1
21	40003742	NEEDLE BAR RUBBER PLUG				1
22	TA0850604R0	RUBBER PLUG				1
23	TA0850604R0	RUBBER PLUG				1
24	TA1250705R0	RUBBER PLUG				1
25	TA0850604R0	RUBBER PLUG				1
26	TA1050504R0	RUBBER PLUG				1
27	TA2101002R0	RUBBER PLUG				1
28	TA2351004R0	RUBBER PLUG				1
29	TA1250504R0	RUBBER PLUG				2
30	TA1250504R0	RUBBER PLUG				1
31	TA1250504R0	RUBBER PLUG				1
32	TA1470704R0	RUBBER PLUG				1
33	TA2100904R0	RUBBER PLUG				1
34	TA2351004R0	RUBBER PLUG				1
35	22963458	THREAD TENSION ASM.	FOR DLN-6390-7			1
36	22945414	THREAD TENSION POST		*		1
37	22945604	THREAD TENSION GUIDE		*		1
38	22963409	THREAD TENSION SPRING		*		1
39	22945703	THREAD TENSION NUT		*		1
40	22945802	THREAD TENSION DISK		*		2
41	SS4120615SP	SCREW 3/16-28 L=6				1
42	40003956	ARM THREAD GUIDE A				1
43	22921001	SCREW				1
44	22920607	ARM THREAD GUIDE B				1
45	SS6110610TP	SCREW 11/64-40 L=6				1
46	40003957	ARM THREAD GUIDE C				1
47	22921001	SCREW				1

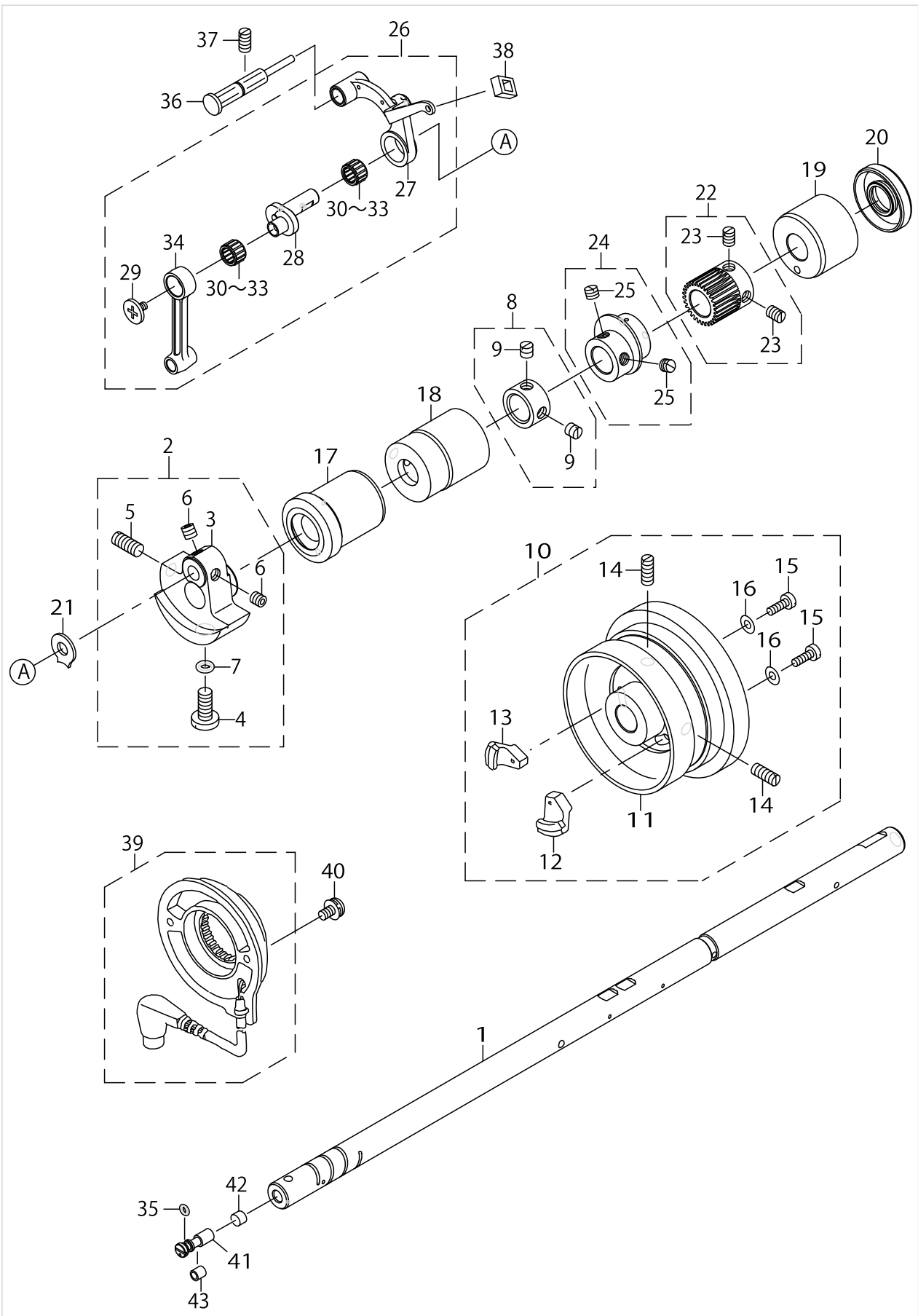
MACHINE FRAME & MISCELLANEOUS COVER COMPONENTS



MACHINE FRAME & MISCELLANEOUS COVER COMPONENTS

No.	Parts No.	Parts name	Remarks	Level	Cons	Qty
48	40003745	UPPER STOP INDICATOR				1
49	SS4120615SP	SCREW 3/16-28 L=6				1
50	23626062	THREAD TENSION ASM. H				1
51	23626005	THREAD TENSION NUT		*		1
52	22921803	DISK STOPPER		*		1
53	22921506	THREAD TENSION DISK		*		2
54	22945307	THREAD TENSION POST BASE		*		1
55	22921209	THREAD TENSION POST		*		1
56	22921407	ROTATION STOPPER		*		1
57	22921605	THREAD TAKE-UP SPRING		*		1
58	22962005	THREAD TENSION SPRING		*		1
59	SS8090670SP	SCREW 9/64-40 L=5.5		*		1
60	SS8151150TP	SCREW 15/64-28 L=10.5				1
61	22951552	GROUND WIRE ASM.				1
62	SS4120615SP	SCREW 3/16-28 L=6				1
63	WT0530002KS	TOOTHED WASHER D=5.3				1
64	40003985	FACE PLATE PACKING				1
65	40003719	THROAT PLATE ASM.				1
66	40003720	THROAT PLATE		*		1
67	40003721	THROAT PLATE BUSHING		*		1
68	40003723	THROAT PLATE FIXED PLATE		*		1
69	SS1060210TP	SCREW 3/32-56 L=2.2		*		2
70	SS7060310SP	SCREW 3/32-56 L=3		*		2
71	40068733	INNER_HOOK_STOPPER		*		1
72	SM6030802TP	SCREW M3X0.5 L=8		*		1
73	40014191	THROAT PLATE PACKING		*		1
74	40008396	FEED DIAL NOTICE LABEL				1
75	40008253	MARKER COVER LABEL				1
76	TA1701002R0	RUBBER PLUG	FOR DLN-6390			1
77	TA0750404R0	PLUG D=7.5 L=3.5	FOR DLN-6390			1
78	TA1050504R0	RUBBER PLUG	FOR DLN-6390			1

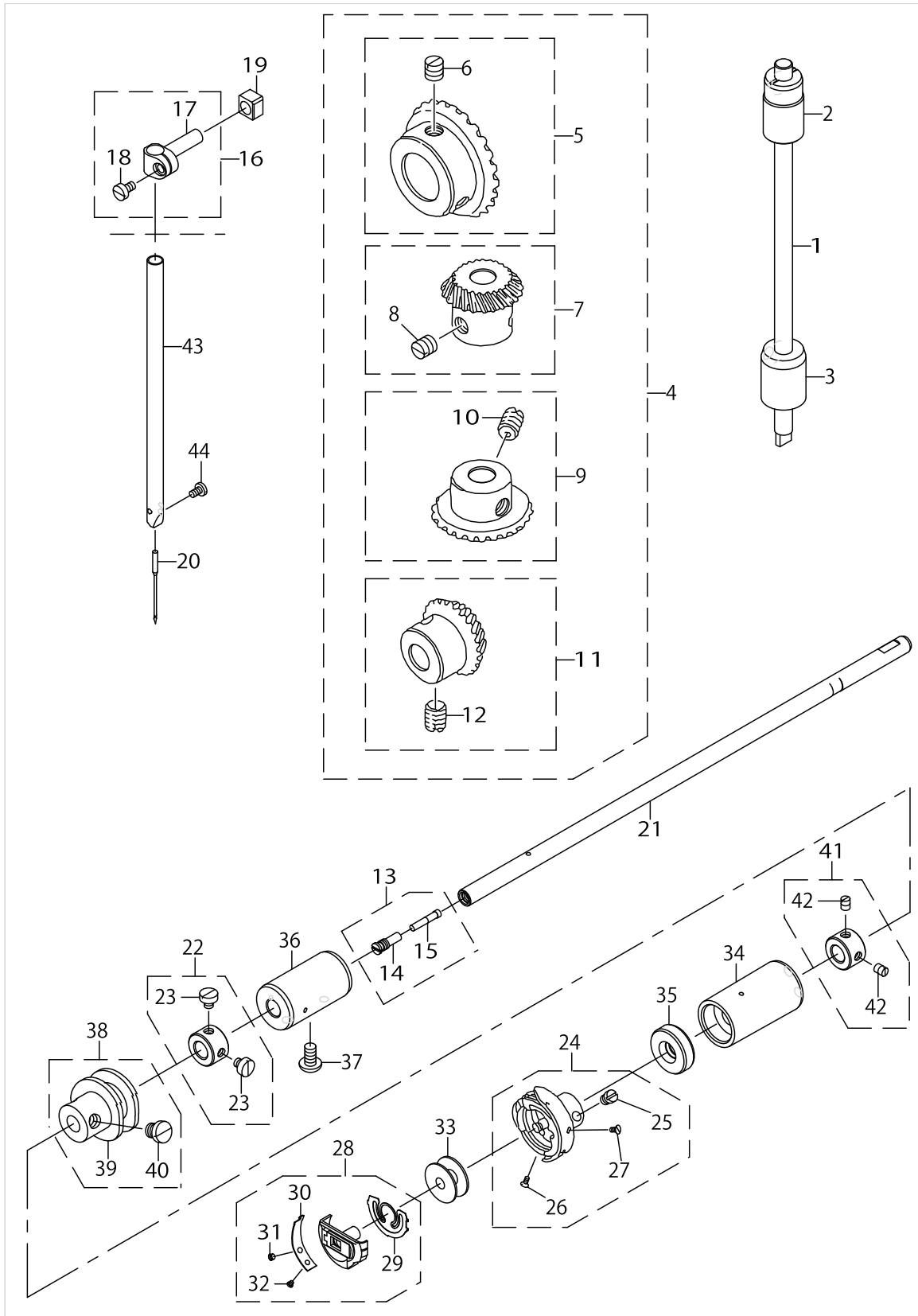
MAIN SHAFT & THREAD TAKE-UP LEVER COMPONENTS



MAIN SHAFT & THREAD TAKE-UP LEVER COMPONENTS

No.	Parts No.	Parts name	Remarks	Level	Cons	Qty
1	40003762	MAIN SHAFT				1
2	40003763	COUNTER WEIGHT ASM.				1
3	40003764	COUNTER WEIGHT		*		1
4	SS7681650TP	SCREW 9/32-28 L=16		*		1
5	SS8681412TP	SCREW 9/32-28 L=13.5		*		1
6	SS8660612TP	SCREW 1/4-40 L=6		*		2
7	RO044240100	RUBBER RING		*		1
8	22904155	MAIN SHAFT THRUST COLLAR ASM.				1
9	SS8660610TP	SCREW 1/4-40 L=6		*		2
10	11071495	HAND WHEEL ASM.	FOR DLN-6390-7			1
11	11071453	HAND WHEEL COMPL.		*		1
12	M40071100AA	MAGNET FITTING BASE A ASM.		*		1
13	M40071100AB	MAGNET FITTING BASE B ASM.		*		1
14	SS8151550SP	SCREW 15/64-28 L=15		*		2
15	SS6111210SP	SCREW 11/64-40 L=12		*		2
16	WP0450801SD	WASHER 4.5X10X0.8		*		2
17	22903207	MAIN SHAFT BUSHING FRONT				1
18	11202306	BUSHING INTERMEDIATE				1
19	11002409	MAIN SHAFT BUSHING REAR				1
20	11002508	OIL SEAL				1
21	B1212552A00	COUNTERWEIGHT PROTECTING PLATE				1
22	40073223	ASSY_DECELERATION_GEAR_A				1
23	SS8660810TP	SCREW 1/4-40 L=8		*		2
24	11210051	LEVEL CAM ASM.				1
25	SS8660530TP	SCREW 1/4-40 L=4.5		*		2
26	40003908	THREAD TAKE-UP LEVER ASM.				1
27	11403961	THREAD TAKE-UP LEVER ASM.		*		1
28	40003909	NEEDLE BAR CRANK		*		1
29	B1903552000	LEFT SCREW		*		1
30	B1905541A00	NEEDLE BEARING A	SELECTIVE PARTS	*		2
31	B1905541B00	NEEDLE BEARING	SELECTIVE PARTS	*		2
32	B1905541C00	NEEDLE BEARING	SELECTIVE PARTS	*		2
33	B1905541D00	NEEDLE BEARING	SELECTIVE PARTS	*		2
34	40016240	NEEDLE BAR CRANK ROD		*		1
35	RO029180100	RUBBER RING				1
36	11039351	CRANK SHAFT ASM.				1
37	SS8151150TP	SCREW 15/64-28 L=10.5				1
38	22919203	OIL PROTECTING RUBBER				1
39	22937965	DYNAMO STATOR	FOR DLN-6390-7			1
40	SL4051001MZ	SCREW M5 L=9.6	FOR DLN-6390-7			2
41	B1213552000A	OIL ADJUSTING PIN				1
42	B1226552000	ROLLER FELT				1
43	B1215552000	OIL ADJUSTING COLLAR				1

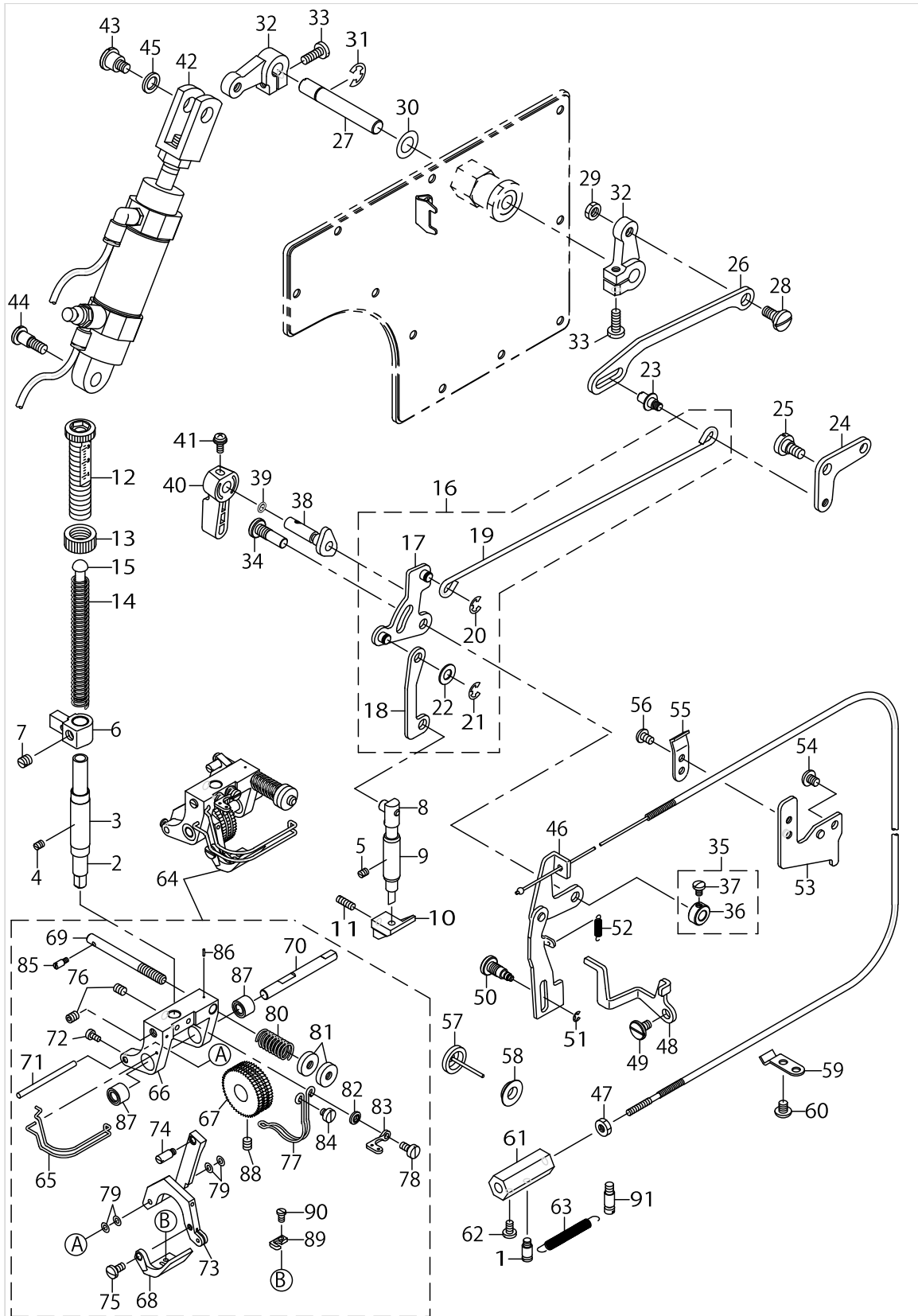
NEEDLE BAR, UPRIGHT SHAFT & HOOK DRIVING SHAFT COMPONENTS



NEEDLE BAR, UPRIGHT SHAFT & HOOK DRIVING SHAFT COMPONENTS

No.	Parts No.	Parts name	Remarks	Level	Cons	Qty
1	40003771	UPRIGHT SHAFT				1
2	22905103	UPRIGHT SHAFT BUSHING UPPER				1
3	11004207	UPRIGHT SHAFT BUSHING LOWER				1
4	B13061550C0	GEAR & PINION ASM.				1
5	B13050120A0	GEAR ASM.		*		1
6	SS8660810TP	SCREW 1/4-40 L=8		*		2
7	B13061550A0	PINION ASM.		*		1
8	SS8660810TP	SCREW 1/4-40 L=8		*		2
9	B13071550A0	GEAR ASM. LARGE		*		1
10	SS8660810TP	SCREW 1/4-40 L=8		*		2
11	B13081550A0	PINION ASM.		*		1
12	SS8660810TP	SCREW 1/4-40 L=8		*		2
13	11404753	OIL SEAL SCREW				1
14	22916506	SET SCREW		*		1
15	11404704	OIL WICK		*		1
16	B14115520A0	NEEDLE BAR CONNECTING ASM.				1
17	B1411552000	NEEDLE BAR CLAMP		*		1
18	SS6090670TP	SCREW 9/64-40 L=6		*		1
19	B1414555000	SLIDE BLOCK				1
20	MC230501400	NEEDLE 180GVS NM140				1
21	40003892	LOWER SHAFT				1
22	CS079101ASH	THRUST COLLAR ASM. D=7.94 W=10				1
23	SS6110420TP	SCREW 11/64-40 L=4.8		*		2
24	40003894	HOOK ASM.				1
25	40021794	SCREW		*		3
26	40021795	SCREW		*		3
27	40021796	SCREW		*		4
28	40003895	BOBBIN CASE ASM.				1
29	G181687500E	SPRING		*		1
30	G181687500D	SPRING		*		1
31	40003896	SCREW		*		1
32	G181687500G	SCREW		*		1
33	G1817875000	BOBBIN				1
34	40003898	LOWER SHAFT FRONT BUSHING				1
35	22890008	HOOK DRIVING SHAFT OIL SEAL				1
36	40003901	LOWER SHAFT REAR BUSHING				1
37	SS4120915SP	SCREW 3/16-28 L=9				1
38	40003943	THREAD TRIMMER CAM ASM.	FOR DLN-6390-7			1
39	40003944	THREAD TRIMMER CAM		*		1
40	SS6660610TP	SCREW 1/4-40 L=6		*		2
41	22950950	CAM COLLAR ASM.	FOR DLN-6390-7			1
42	SS8110520TP	SCREW 11/64-40 L=4.5		*		2
43	40156276	NEEDLE BAR				1
44	SS7080510TP	SCREW 1/8-44 L=4.5				1

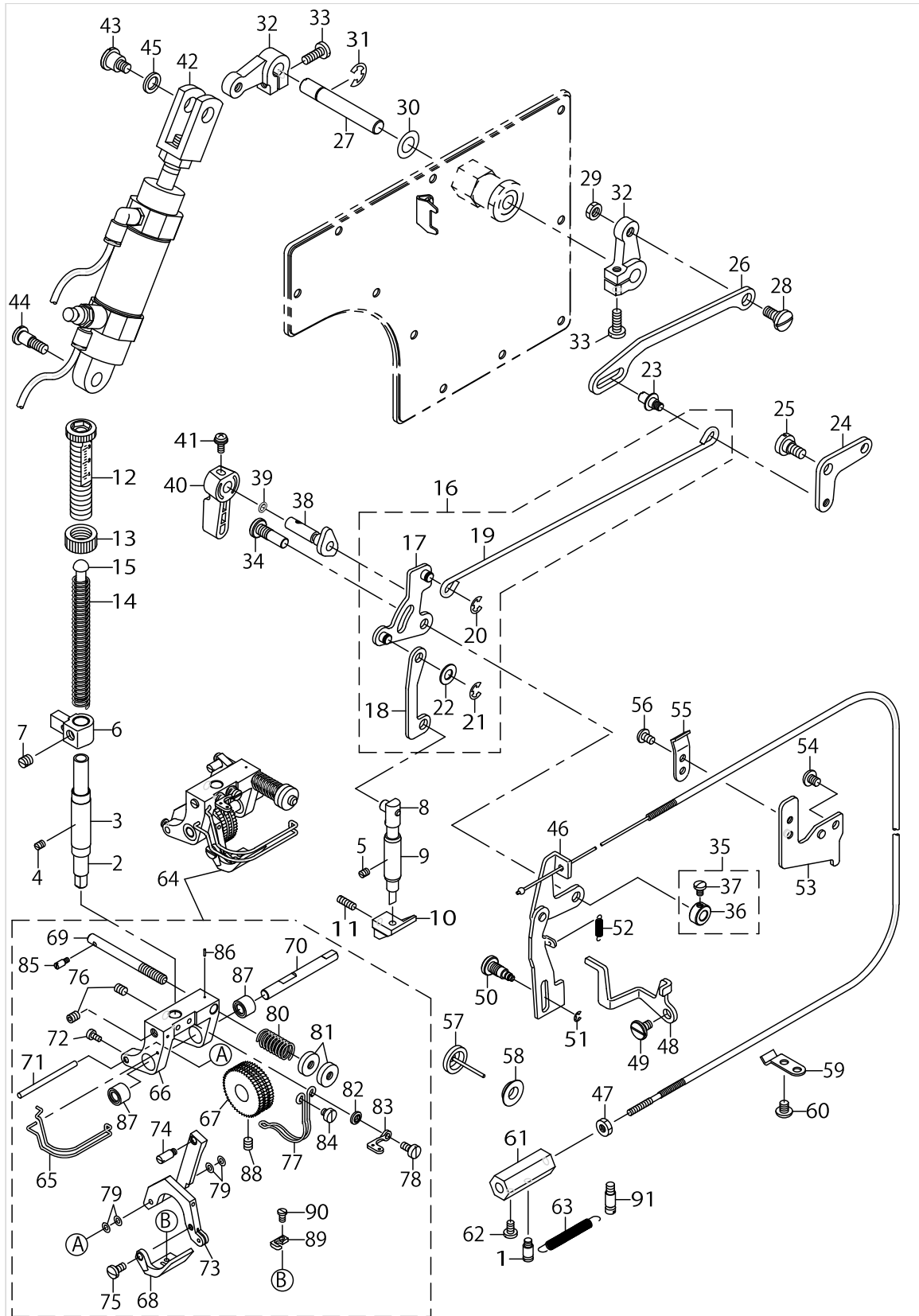
HAND LIFTER COMPONENTS



HAND LIFTER COMPONENTS

No.	Parts No.	Parts name	Remarks	Level	Cons	Qty
1	MAT80116S00	SUSPENSION PIN	FOR DLN-6390-7			1
2	40003822	PRESSURE BAR				1
3	40014007	PRESSER BAR BUSHING LOWER				1
4	SS8110520TP	SCREW 11/64-40 L=4.5				1
5	SS8110520TP	SCREW 11/64-40 L=4.5				1
6	11301306	NEEDLE BAR GUIDE BRACKET				1
7	SS8660610TP	SCREW 1/4-40 L=6				1
8	40003824	HAND LIFTER SHAFT COMPL.				1
9	40003829	HAND LIFTER SHAFT BUSHING				1
10	40003832	HAND LIFTER BASE				1
11	SS8111251SP	SCREW 11/64-40 L=12.0				1
12	23609209	PRESSER SPRING REGULATOR				1
13	22907604	PRESSER SPRING REGULATOR NUT				1
14	22907406	PRESSER SPRING				1
15	22907703	PRESSER GUIDE BAR				1
16	40003840	LIFTER LEVER CONNECTING ASM.				1
17	40003842	LIFTER LINK ASM.		*		1
18	40003841	LIFTER PLATE		*		1
19	22908305	KNEE LIFTER SIDE ROD		*		1
20	RE0500000K0	E-RING 5		*		1
21	RE0500000K0	E-RING 5		*		1
22	WP0650876SD	WASHER 6.5X13X0.8		*		1
23	GAK330400A0	SHAFT PIN ASM.				1
24	22908800	KNEE LIFTER LINK				1
25	SD0720331SP	HINGE SCREW D=7.24 H=3.3				1
26	40003844	SIDE PLATE LINK				1
27	22991400	SOLENOID SHAFT				1
28	SD0800352SP	HINGE SCREW D=8 H=3.5				1
29	NS6150310SP	NUT 15/64-28				1
30	WP1021016SD	WASHER				1
31	RE0700000K0	E-RING 7				1
32	GAK33027000	SOLENOID ARM B				2
33	SS7121410TP	SCREW 3/16-28 L=14				2
34	11301702	LINK SHAFT				1
35	CS064061ASP	THRUST COLLAR ASM.				1
36	CS0640611SP	THRUST HOLDER		*		1
37	SS7090620TP	SCREW 9/64-40 L=6.1		*		1
38	22908552	HAND LIFTER CAM ASM.				1
39	RO037180100	RUBBER RING				1
40	22907802	HAND LIFTER				1
41	B1521555000	SCREW				1
42	40003846	HAND LIFTER CYLINDER ASM.	FOR DLN-6390-7			1
43	SD1000701TP	HINGE SCREW D=10 H=7	FOR DLN-6390-7			1
44	SD0901101SP	HINGE SCREW D=9 H=11	FOR DLN-6390-7			1
45	22614002	THRUST WASHER A	FOR DLN-6390-7			1
46	40003964	THREAD TENSION RELEASE	FOR DLN-6390-7			1
47	NS6620310SP	NUT 3/16-32	FOR DLN-6390-7			1

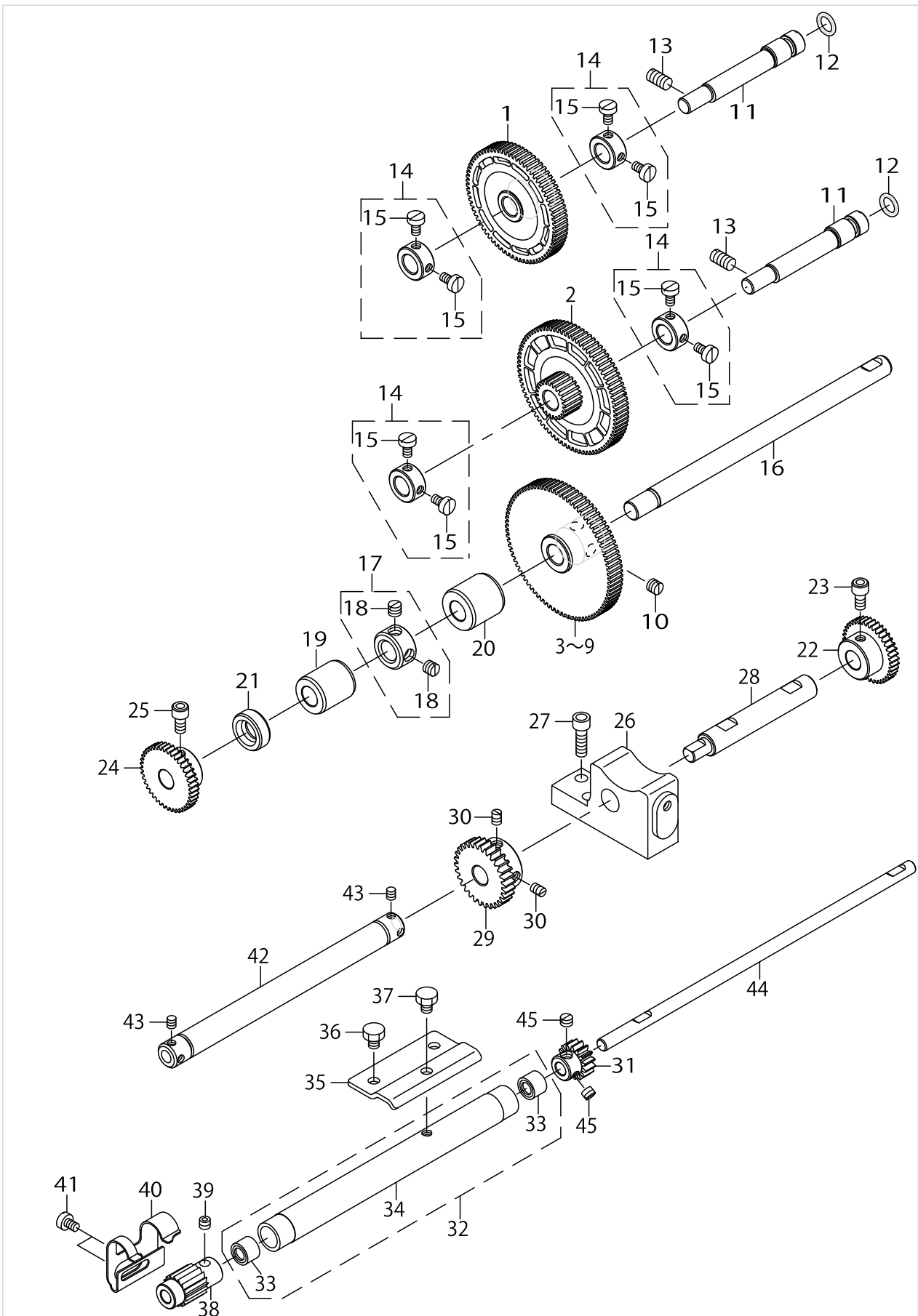
HAND LIFTER COMPONENTS



HAND LIFTER COMPONENTS

No.	Parts No.	Parts name	Remarks	Level	Cons	Qty
48	40003968	TENSION RELEASE LINK A				1
49	SD0640261SP	HINGE SCREW D=6.35 H=2.6				1
50	11306107	TENSION RELEASE PLATE SHAFT				1
51	RE0300000K0	E-RING 3				1
52	11305901	SPRING				1
53	22944607	WIRE PRESSER BASE UPPER				1
54	SS4120615SP	SCREW 3/16-28 L=6				1
55	22944508	WIRE PRESSER A	FOR DLN-6390-7			1
56	SS4110715SP	SCREW 11/64-40 L=7	FOR DLN-6390-7			1
57	B31334150A0	TENSION RELEASE PIN CAP ASM.				1
58	B3136415000	CAP RING				1
59	22944508	WIRE PRESSER A	FOR DLN-6390-7			1
60	SS4120615SP	SCREW 3/16-28 L=6	FOR DLN-6390-7			2
61	40003969	WIRE CONNECTOR	FOR DLN-6390-7			1
62	SS7110740TP	SCREW 11/64-40 L=7	FOR DLN-6390-7			1
63	40003970	TENSION RELEASE RETURN	FOR DLN-6390-7			1
64	40068693	ASSY_PRESSER_FOOT				1
65	40003837	FINGER GUARD		*		1
66	40068735	PRESSER_FOOT_BASE		*		1
67	40068692	TOP_FEED_ROLLER		*		1
68	40068694	PRESSER_FOOT_1/2		*		1
69	40068696	PRESSER_FOOT_TENSION_BAR		*		1
70	40068737	TOP_FEED_ROLLER_SHAFT		*		1
71	30021000	PRESSER FOOT ARM PIN (61439AN)		*		1
72	SM6030600SP	SCREW M3X0.5 L=6		*		2
73	40068698	PRESSER_LIFTING_ARM		*		1
74	40068699	SCREW_PIN		*		1
75	SS7090850SP	SCREW 9/64-40 L=8		*		1
76	SM80506A2TP	SCREW M5 L=6		*		2
77	40068700	ROLLER_WIRE		*		1
78	SM6040860TP	SCREW M4 L=8		*		1
79	40068701	WASHER		*		4
80	40109085	TENSION SPRING		*		1
81	40068703	TENSION_NUT		*		2
82	40068705	WASHER		*		1
83	40068704	THREAD GUIDE		*		1
84	SM6040450TP	SCREW M4 L=4		*		1
85	40068720	SCREW_PIN		*		1
86	40068740	PIN		*		1
87	SB306350100	BEARING		*		2
88	SM80506A2TP	SCREW M5 L=6		*		2
89	30020200	PR FOOT NDL GD		*		1
90	40068750	SCREW		*		1
91	26226407	TENSION SPRING HOOK	FOR DLN-6390-7			1

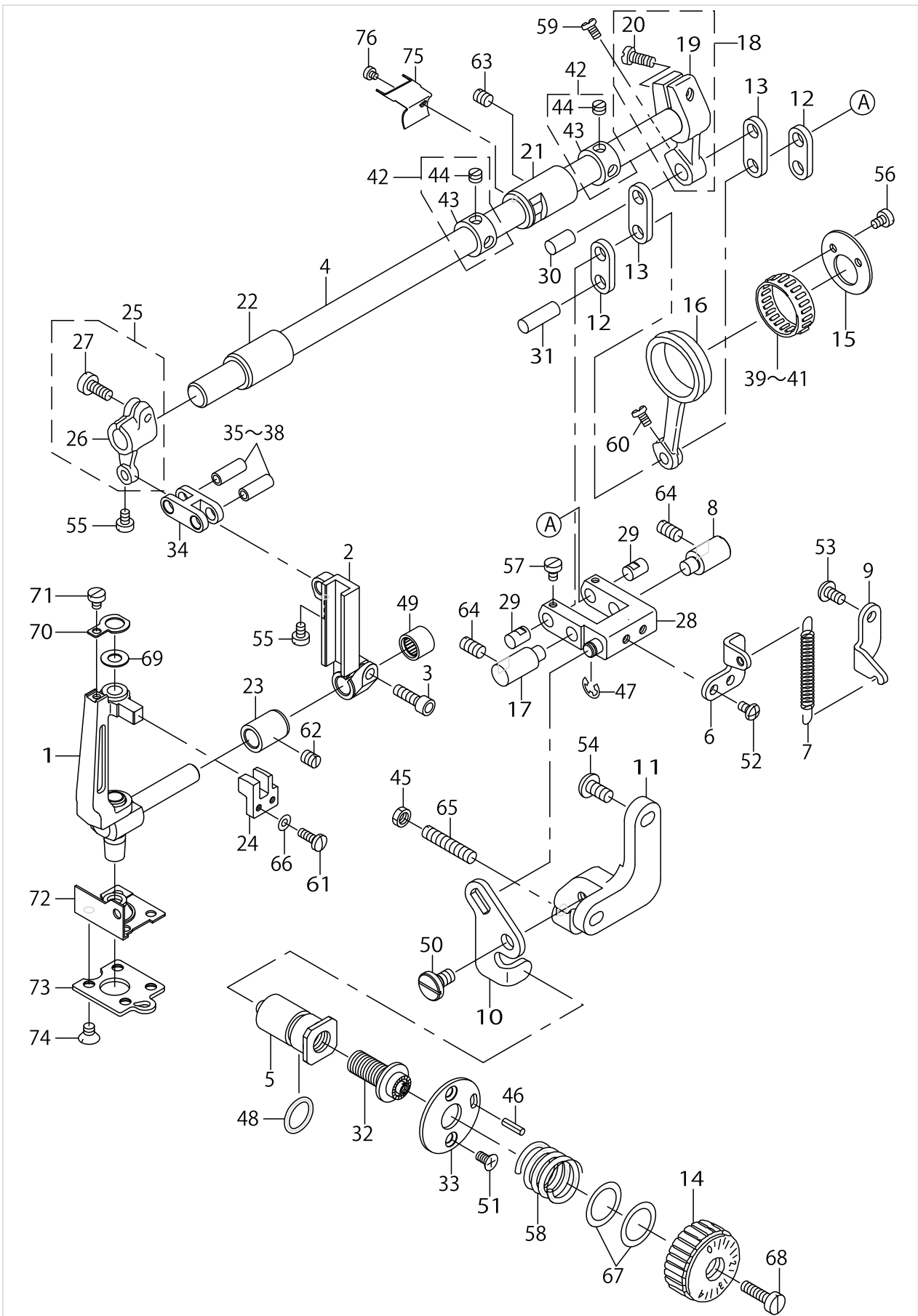
FEED MECHANISM COMPONENTS



FEED MECHANISM COMPONENTS

No.	Parts No.	Parts name	Remarks	Level	Cons	Qty
1	40003855	DECELERATION GEAR B				1
2	40003860	DECELERATION GEAR C				1
3	40003861	DECELERATION GEAR DA	SELECTIVE PARTS			1
4	40003862	DECELERATION GEAR DB	SELECTIVE PARTS			1
5	40003863	DECELERATION GEAR DC	SELECTIVE PARTS			1
6	40003864	DECELERATION GEAR DD	SELECTIVE PARTS			1
7	40003865	DECELERATION GEAR DE	SELECTIVE PARTS			1
8	40003866	DECELERATION GEAR DF	SELECTIVE PARTS			1
9	40003867	DECELERATION GEAR DG	SELECTIVE PARTS			1
10	SS8660530TP	SCREW 1/4-40 L= 4.5				2
11	40003869	DECELERATION GEAR SHAFT				2
12	RO078190100	RUBBER RING				2
13	SS8151150TP	SCREW 15/64-28 L=10.5				2
14	40003868	THRUST COLLER ASM.				4
15	SS6110710TP	SCREW 11/64-40 L=6.5		*		2
16	40003870	DECELERATION GEAR D SHAFT				1
17	CS100101DSH	THRUST COLLAR ASM.				1
18	SS8660530TP	SCREW 1/4-40 L=4.5		*		2
19	23612807	METAL A				1
20	23612906	METAL B				1
21	23612609	FEED CHANGING SHAFT OIL SEAL				1
22	40068706	STITCH_REGULATING_GEAR39				1
23	SM6050802TP	SCREW M5X0.8 L=8				1
24	40068707	STITCH_REGULATING_GEAR41				1
25	SM6050802TP	SCREW M5X0.8 L=8				1
26	40003872	GEAR BASE				1
27	SM6051602TP	SCREW M5X0.8 L=16				2
28	40068714	UPPER_ROLLER_SHAFT				1
29	40068715	LOWER_ROLLER_DRIVE_GEAR				1
30	SM8060602TP	SCREW M6X6				2
31	40068716	LOWER_ROLLER_DRIVE_GEAR				1
32	40003875	LOWER ROLLER SHAFT HOLDER ASM.				1
33	SB306350100	BEARING		*		2
34	40003876	LOWER ROLLER SHAFT HOLDER		*		1
35	40003878	LOWER ROLLER SHAFT HOLDER CLAMP PLATE				1
36	SS9120643TP	SCREW 3/16-28 L=6				2
37	SS9120643TP	SCREW 3/16-28 L=6				1
38	40068717	LOWER_FEED_ROLLER				1
39	SM8050412TP	SCREW M5 L=4				2
40	40003880	LOWER ROLLER COVER				1
41	SS6110610TP	SCREW 11/64-40 L=6				2
42	40068719	FLEXIBLE_SHAFT				1
43	SM8040412TP	SET SCREW M4 L=4				4
44	40003873	LOWER ROLLER SHAFT				1
45	SM8050412TP	SCREW M5 L=4				2

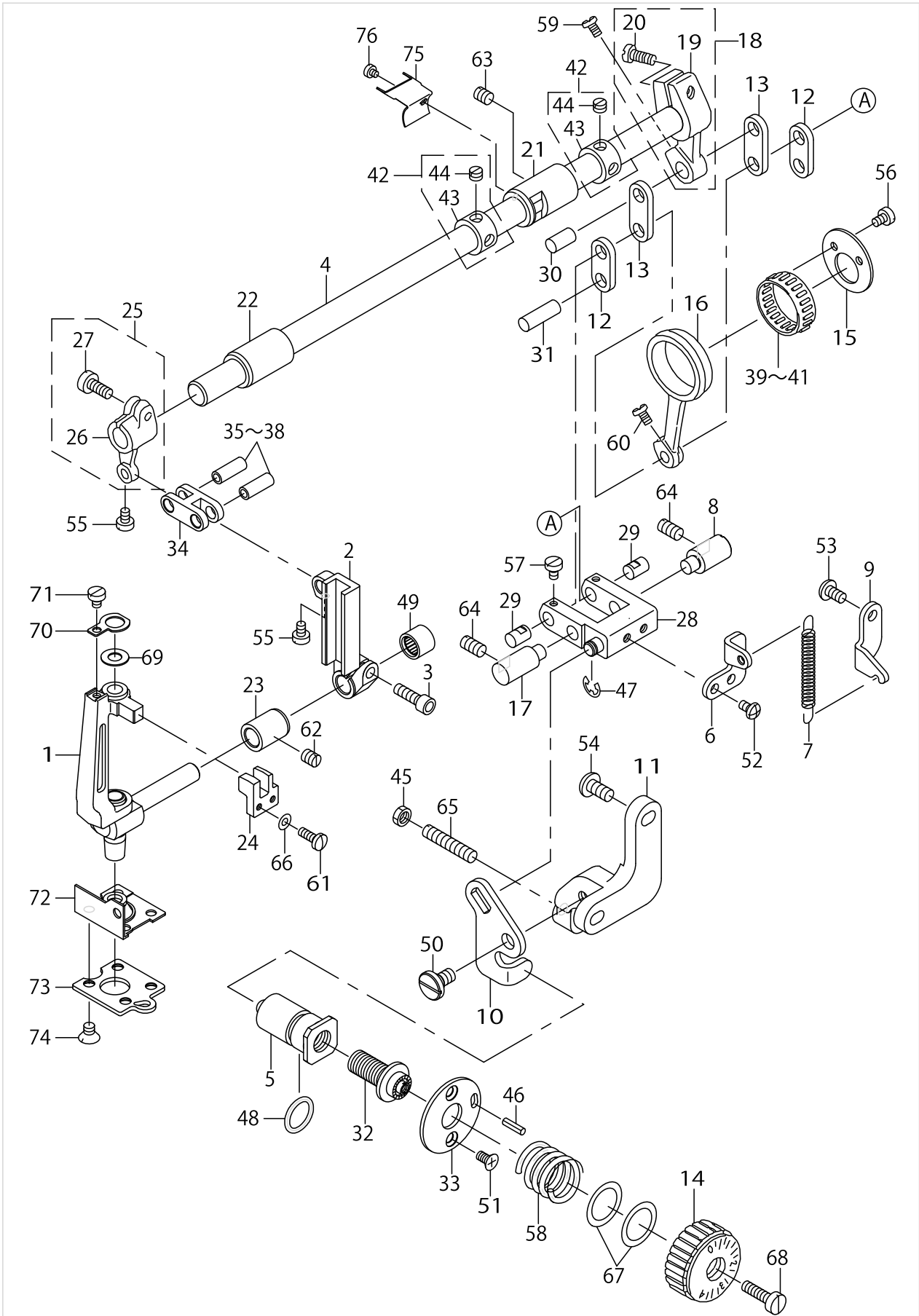
NEEDLE FEED MECHANISM COMPONENTS



NEEDLE FEED MECHANISM COMPONENTS

No.	Parts No.	Parts name	Remarks	Level	Cons	Qty
1	40003786	NEEDLE BAR ROCKING BASE ASM.				1
2	40003794	SLIDE BLOCK GUIDE				1
3	SM6051602TP	SCREW M5X0.8 L=16				1
4	40003796	NEEDLE FEED SHAFT				1
5	40003797	NEEDLE FEED ADJUSTING SHAFT				1
6	40003799	SWING SPRING HOOK				1
7	40003800	ADJUSTING LINK SPRING				1
8	40003801	ADJUSTING LINK FULCRUM SHAFT B				1
9	40003802	ADJUSTING LINK SPRING HOOK				1
10	40003803	ADJUSTING LINK PLATE				1
11	40003804	ADJUSTING LINK PLATE BASE				1
12	11008604	CONNECTING LINK A				2
13	11008703	WALKING FOOT LINK				2
14	22940506	FEED DIAL				1
15	11210119	THRUST COLLAR				1
16	11210200	WALKING FOOT DRIVING ROD				1
17	11210507	WALKING FOOT FULCRUM SHAFT A				1
18	11210754	WALKING FOOT ARM ASM.				1
19	11210705	WALKING FOOT ARM		*		1
20	SS6121220TP	SCREW 3/16-28 L=11.5		*		1
21	11210903	ROCK SHAFT BUSHING REAR				1
22	11211000	ROCK SHAFT BUSHING FRONT				1
23	11214509	BUSHING				1
24	11303906	NEEDLE BAR FRAME GUIDE				1
25	11304052	SHAFT ARM ASM. (FRONT)				1
26	11304003	DRIVING CRANK FRONT		*		1
27	SS6121220TP	SCREW 3/16-28 L=11.5		*		1
28	22910459	FEED ADJUSTING LINK ASM.				1
29	22910905	WALKING FOOT PIN A				2
30	22911002	WALKING FOOT PIN B				1
31	22911101	WALKING FOOT PIN C				1
32	23533904	FEED ADJUSTING SCREW				1
33	23534019	FEED ADJUSTING BASE				1
34	B2906415000	DRIVING LINK				1
35	B1412352A00	NEEDLE BAR LINK PIN A	SELECTIVE PARTS			2
36	B1412352B00	NEEDLE BAR LINK PIN B	SELECTIVE PARTS			2
37	B1412352C00	NEEDLE BAR LINK PIN C	SELECTIVE PARTS			2
38	B1412352D00	NEEDLE BAR LINK PIN D	SELECTIVE PARTS			2
39	B412352200A	NEEDLE BEARING	SELECTIVE PARTS			1
40	B412352200B	NEEDLE ROLLAR	SELECTIVE PARTS			1
41	B412352200C	NEEDLE ROLLAR	SELECTIVE PARTS			1
42	CS120101BSH	THRUST COLLAR ASM.				2
43	CS1201012SH	THRUST COLLAR		*		1
44	SS8660410SP	SCREW 1/4-40 L=4.2		*		2
45	NS6150310SP	NUT 15/64-28				1
46	PS0300122KH	SPRING PIN 3X12				1
47	RE0500000K0	E-RING				1

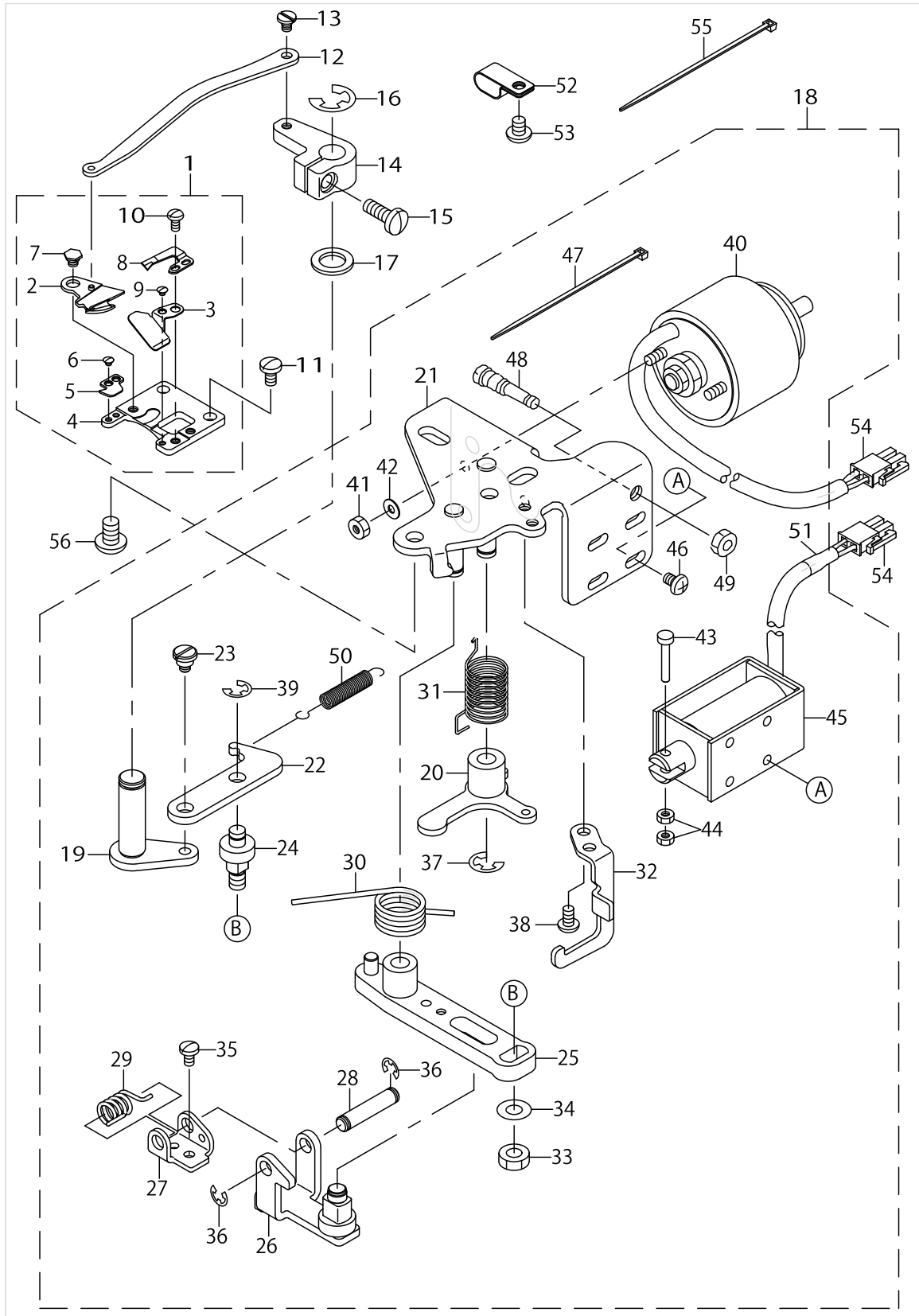
NEEDLE FEED MECHANISM COMPONENTS



NEEDLE FEED MECHANISM COMPONENTS

No.	Parts No.	Parts name	Remarks	Level	Cons	Qty
48	RO137230100	RUBBER RING				1
49	SB309000400	BEARING				1
50	SD0800321TH	HINGE SCREW D=8 H=3.2				1
51	SS1110821TP	SCREW 11/64-40 L=8.3				2
52	SS4110715SP	SCREW 11/64-40 L=7				2
53	SS4120915SP	SCREW 3/16-28 L=9				1
54	SS4151215SP	SCREW 15/64-28 L=12				2
55	SS6090660TP	SCREW 9/64-40 L=6				2
56	SS6090670TP	SCREW 9/64-40 L=6				2
57	SS6090620TP	SCREW				2
58	23534506	FEED DIAL SPRING				1
59	SS7090910TP	SCREW 9/64-40 L=8.5				1
60	SS7090910TP	SCREW 9/64-40 L=8.5				1
61	SS7091110TP	SCREW 9/64-40 L=10.5				2
62	SS8150710TP	SCREW 15/64-28 L=7				1
63	SS8150710TP	SCREW 15/64-28 L=7				1
64	SS8151150TP	SCREW 15/64-28 L=10.5				2
65	SS8153010SR	SCREW 15/64-28 L=30				1
66	WP0370316SD	WASHER 3.7X8X0.3				2
67	WP1751616SD	WASHER 17.5X24X1.6				2
68	SS6121860SP	SCREW 3/16-28 L=18				1
69	40003992	NEEDLE BAR VILENE				1
70	40003993	VILENE FIXED PLATE				1
71	SS6090510TP	SCREW 9/64-40 L=5.0				1
72	40000212	PRESSING PLATE PACKING				1
73	40003995	ARM SUPPORT PLATE				1
74	SS1120710SP	SCREW 3/16-28 L=6.7				4
75	GAK33060000	CORD HOLDER				1
76	SS6080340SP	SCREW 1/8-44 L=2.9				1

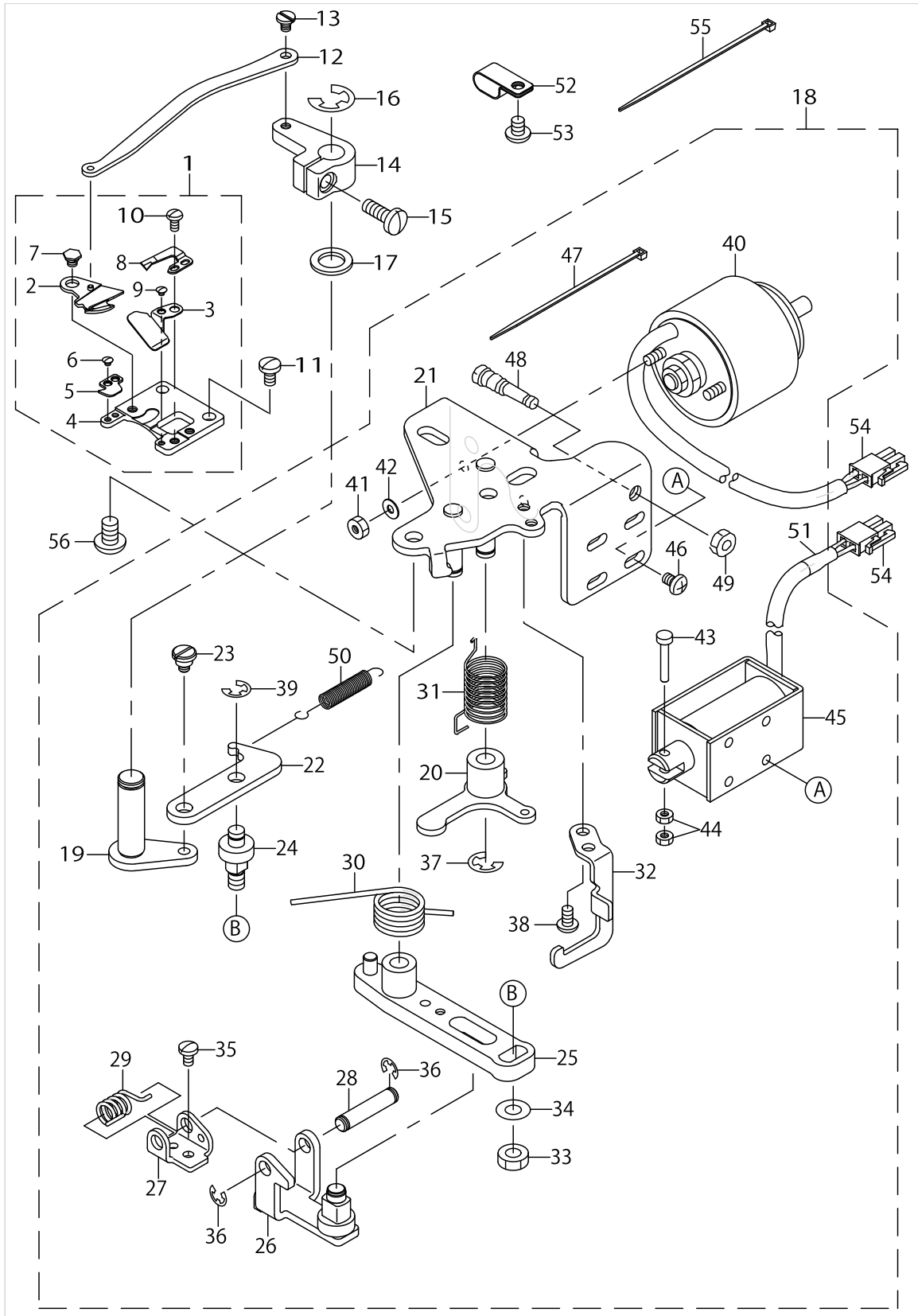
THREAD TRIMMER COMPONENTS (EXCLUSIVE PARTS FOR DLN-6390-7)



THREAD TRIMMER COMPONENTS (EXCLUSIVE PARTS FOR DLN-6390-7)

No.	Parts No.	Parts name	Remarks	Level	Cons	Qty
1	40003916	KNIFE UNIT				1
2	40003917	MOVING KNIFE ASM.		*		1
3	40003919	THREAD GUIDE FOR KNIFE		*		1
4	40003920	KNIFE INSTALLING BASE		*		1
5	40003921	UPPER THREAD HOOK PLATE		*		1
6	SS2060210SP	SCREW 3/32-56 L=2.3		*		2
7	SD0500131TP	HINGE SCREW D=5 H=1.25		*		1
8	11409604	FIX KNIFE		*		1
9	SS2060210SP	SCREW 3/32-56 L=2.3		*		1
10	SS4080620TP	SCREW 1/8-44 L=6		*		2
11	SS7110710SP	SCREW 11/64-40 L=7				2
12	40003924	MOVING KNIFE CONNECTING				1
13	SD0400191TP	HINGE SCREW D=4 H=1.9				1
14	40003926	MOVING KNIFE LEVER				1
15	SS7121410TP	SCREW 3/16-28 L=14				1
16	RE0800000K0	E-SHAPED SNAP RING (8MM)				1
17	10109809	THRUST WASHER B				1
18	40003933	THREAD TRIMMER DRIVING				1
19	40003928	MOVING KNIFE LEVER SHAFT ASM.		*		1
20	40003935	CLUTCH PLATE ASM.		*		1
21	40003938	BASE PLATE ASM.		*		1
22	40003941	MOVING KNIFE LINK		*		1
23	SD0640321TP	HINGE SCREW D=6.35 H=3.2		*		1
24	22948400	MOVING KNIFE LINK PIN		*		1
25	22948558	KNIFE DRIVING ARM ASM.		*		1
26	11040953	ROLLER ARM ASM.		*		1
27	11094307	ROLLER ARM BRACKET		*		1
28	22949101	ROLLER FULCRUM SHAFT		*		1
29	22555304	ROLLER RETURN SPRING		*		1
30	11041605	KNIFE RETURN SPRING		*		1
31	22555205	CLUTCH SPRING		*		1
32	22950703	DRIVING ARM STOPPER		*		1
33	NS6150430SP	NUT 15/64-28		*		1
34	WP0621016SH	WASHER		*		1
35	SS7090610SP	SCREW 9/64-40 L=6		*		1
36	RE0400000K0	E-RING 4		*		2
37	RE0600000K0	E-RING 6		*		2
38	SS4110715SP	SCREW 11/64-40 L=7		*		2
39	RE0500000K0	E-RING		*		1
40	40106931	THREAD TRIMMER SOLENOID		*		1
41	NM6040000SN	NUT M4		*		2
42	WP0450000SD	WASHER 4.5X8X0.5		*		2
43	23542418	CLUTCH LINK PIN		*		1
44	NM6030001SB	NUT M3		*		2
45	40106080	THREAD_TRIMMER_SOLENOID		*		1
46	SM4040601SC	SCREW M4X0.7 L=6		*		4
47	EA9500B0100	CABLE BAND		*		1

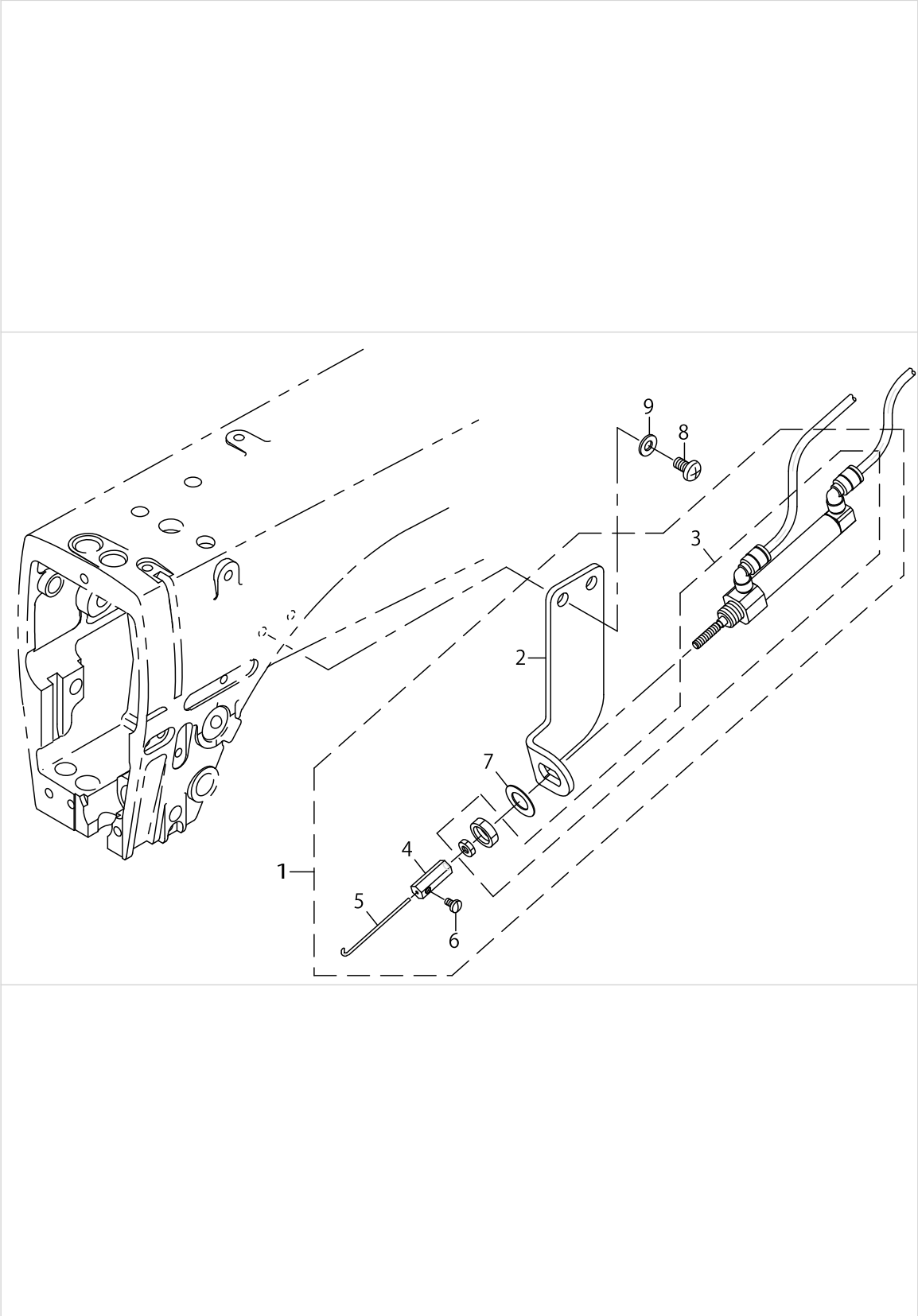
THREAD TRIMMER COMPONENTS (EXCLUSIVE PARTS FOR DLN-6390-7)



THREAD TRIMMER COMPONENTS (EXCLUSIVE PARTS FOR DLN-6390-7)

No.	Parts No.	Parts name	Remarks	Level	Cons	Qty
48	13711205	SUSPENSION SCREW		*		1
49	NS6150310SP	NUT 15/64-28		*		1
50	23614308	FEED LEVER SPRING		*		1
51	E8760452H00	TUBE		*		0.04
52	D2112555B00	CORD HOLDER LARGE				1
53	SS4120615SP	SCREW 3/16-28 L=6				1
54	HK034610020	2-POLE NYLON PLUG				2
55	EA9500B0100	CABLE BAND				1
56	SS4150915SP	SCREW 15/64-28 L=9				2

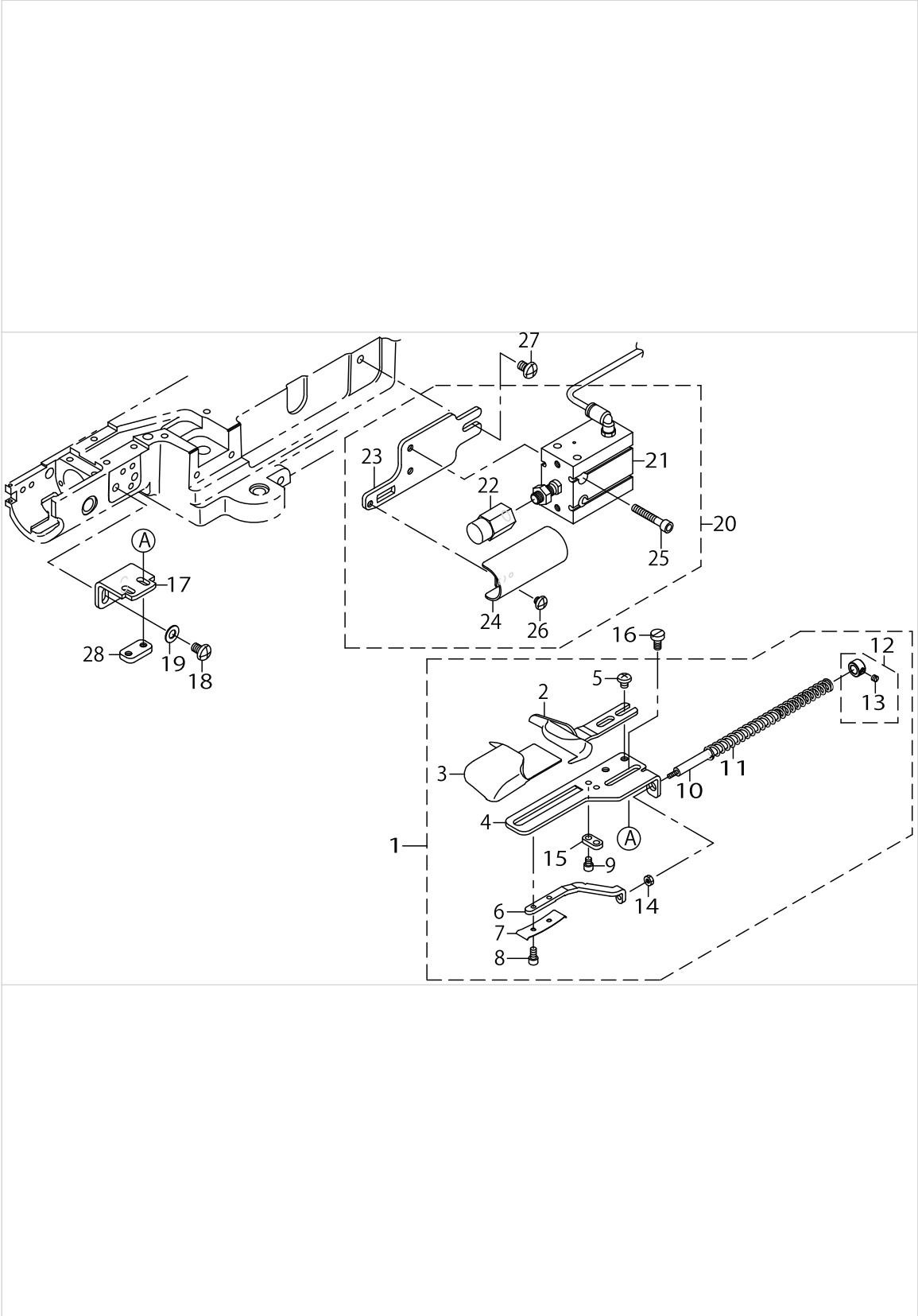
WIPER COMPONENTS (EXCLUSIVE PARTS FOR DLN-6390-7)



WIPER COMPONENTS (EXCLUSIVE PARTS FOR DLN-6390-7)

No.	Parts No.	Parts name	Remarks	Level	Cons	Qty
1	40004013	WIPER ASM.				1
2	40004014	WIPER CYLINDER BASE		*		1
3	40004015	WIPER CYLINDER ASM.		*		1
4	40004017	WIPER CONNECTOR		*		1
5	40004018	WIPER		*		1
6	SS7080510TP	SCREW 1/8-44 L=4.5		*		1
7	WP1020616SD	WASHER		*		1
8	SS4120915SP	SCREW 3/16-28 L=9				2
9	WP0501016SD	WASHER 5X10.5X1				2

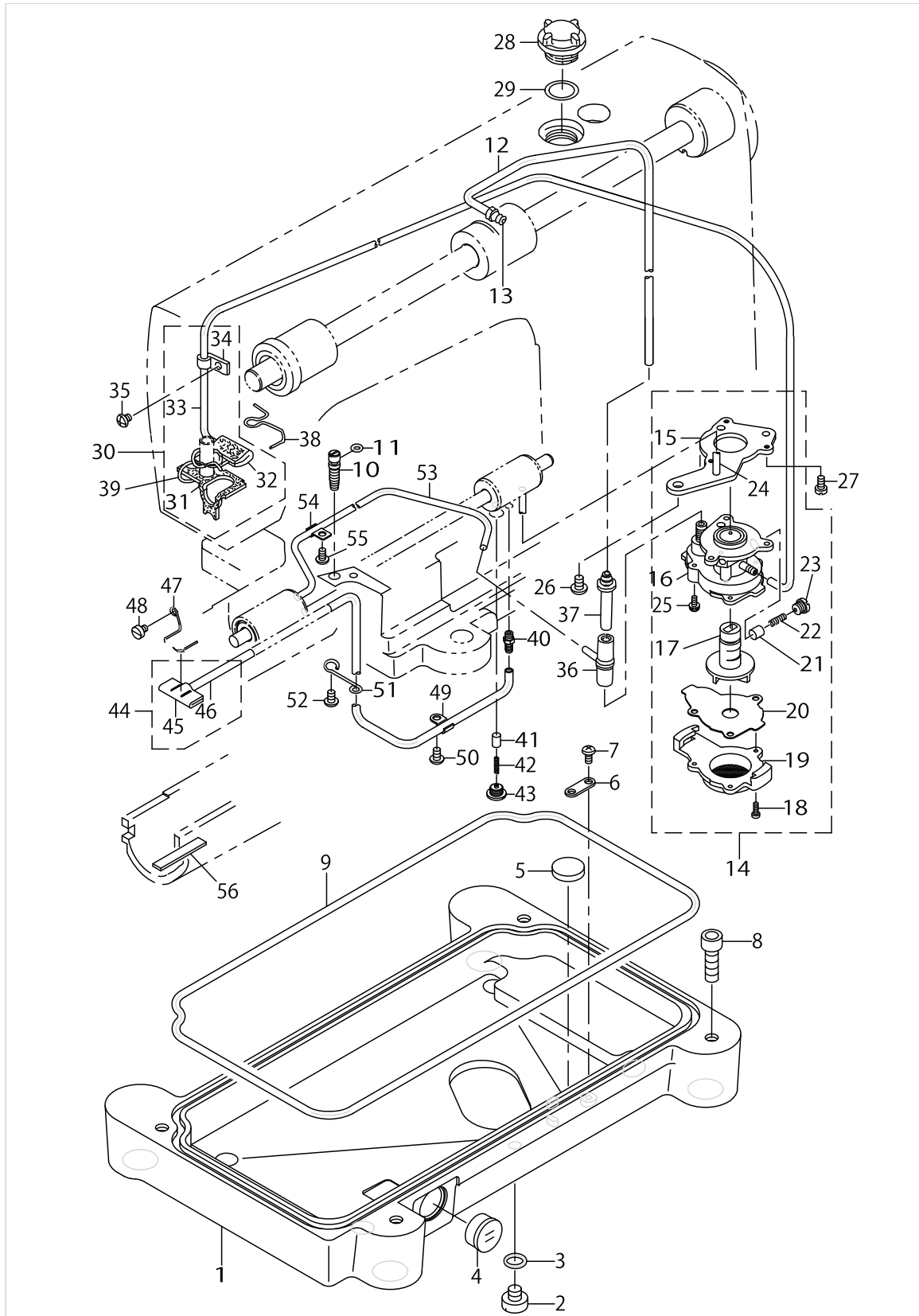
HEMMER COMPONENTS



HEMMER COMPONENTS

No.	Parts No.	Parts name	Remarks	Level	Cons	Qty
1	40068745	ASSY_HEMMER_1/2				1
2	40068743	RULLER RIGHT		*		1
3	40068744	RULLER LEFT		*		1
4	40068721	HEMMER_BASE		*		1
5	SM4050655SP	SCREW M5 L=6		*		2
6	40068722	HEMMER_SCROLL_SLIDE		*		1
7	40068723	HEMMER_SCROLL_SLIDE_SPRING		*		1
8	SM6040802TP	SCREW M4X0.7 L=8		*		2
9	SM6040502TP	SCREW M4X0.7 L=5		*		2
10	40068724	OPERATING_ROD		*		1
11	40068725	GUIDE_SHAFT_SPRING		*		1
12	CS0640860SH	THRUST COLLAR ASM. D=6.35 W=8		*		1
13	SS8110510SP	SCREW 11/64-40 L=5		*		2
14	NM6040002SN	NUT M4		*		1
15	40068739	HEMMER_STOPPER		*		1
16	SS6121030SN	SCREW 3/16-28 L=10				2
17	40004026	HEMMER MOUNTING BRACKET				1
18	SS4150915SP	SCREW 15/64-28 L=9				2
19	WP0650876SD	WASHER 6.5X13X0.8				2
20	40004028	HEMMER CYLINDER WHOLE ASM.	FOR DLN-6390-7			1
21	40004029	HEMMER CYLINDER ASM.		*		1
22	40004030	CAP		*		1
23	40004033	HEMMER CYLINDER BASE		*		1
24	40004034	HEMMER CYLINDER COVER		*		1
25	SM6053002TN	SCREW M5X0.8 L=30		*		2
26	SS4120415SP	SCREW		*		1
27	SS4150915SP	SCREW 15/64-28 L=9	FOR DLN-6390-7			2
28	40004025	HEMMER FIXED PLATE				1

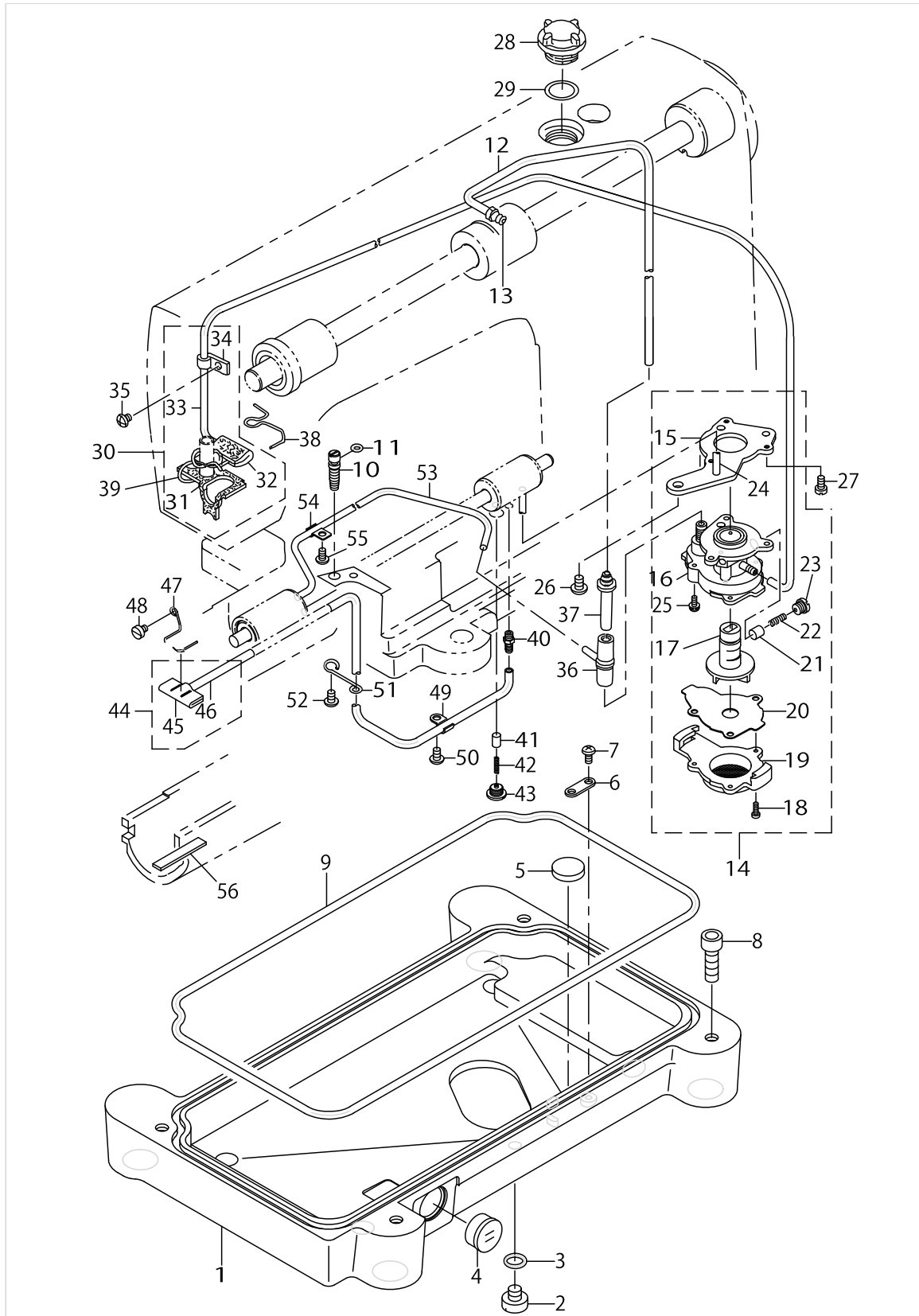
OIL LUBRICATION COMPONENTS



OIL LUBRICATION COMPONENTS

No.	Parts No.	Parts name	Remarks	Level	Cons	Qty
1	40003980	OIL RESERVOIR				1
2	SS6700710SH	SCREW 5/16-24 L=7				1
3	RO098240100	RUBBER RING				1
4	B3506245000	OIL WINDOW				1
5	B8228125000	OIL RESERVOIR MAGNET				1
6	40024644	MAGNET WASHER				1
7	ST4040821SS	TAPPING SCREW				1
8	SM6082502TP	SCREW M8 L=25				4
9	40003981	OIL RESERVOIR RUBBER RING				1
10	40003983	OIL ADJUSTING SCREW				1
11	RO037180100	RUBBER RING				1
12	BT0600402EA	OIL TUBE				0.28
13	SQ1150501SD	CONNECTING SCREW				1
14	22923056	OIL PUMP ASM.				1
15	22923312	OIL PUMP INSTALLING BASE		*		1
16	22923015	OIL PUMP		*		1
17	22923700	IMPELLER		*		1
18	SE4301041SR	SCREW D=3 L=10		*		3
19	22923205	PUMP BODY COVER		*		1
20	22923809	PUMP BODY SUPPORT PLATE		*		1
21	22923403	PLUNGER		*		1
22	22923601	PLUNGER SPRING		*		1
23	22923502	PLUNGER SCREW		*		1
24	22923908	HOOK DRIVING SHAFT OILING PIPE		*		1
25	SL4030851SF	SCREW M3 L=8		*		3
26	SS4150915SP	SCREW 15/64-28 L=9				1
27	SS4110715SP	SCREW 11/64-40 L=7				1
28	22924708	OIL SIGHT WINDOW				1
29	RO195240100	RUBBER RING				1
30	40003988	OIL RETURN TUBE ASM.				1
31	40003989	OIL RETURN FELT A		*		1
32	11307204	FELT B		*		1
33	23630007	TUBE		*		0.66
34	B3536122000	HOLDER		*		1
35	SS4120615SP	SCREW 3/16-28 L=6				1
36	22924609	RUBBER JOINT				1
37	11221504	OIL TUBE JOINT				1
38	11307006	OIL FELT PRESSER				1
39	CQ202000000	OIL WICK				0.12
40	23629801	LUBRICATION CONNECTOR				1
41	23628803	PLUNGER				1
42	23628902	PLUNGER SPRING				1
43	40003996	PLUNGER SCREW				1
44	40075393	ASSY_OIL_RETURN_FELT_PIPE				1
45	40004000	HOOK OIL RETURN FELT		*		1
46	40075070	OIL_RETURN_FELT_PIPE		*		0.3
47	40004002	HOOK OIL RETURN FELT HOLDER				1

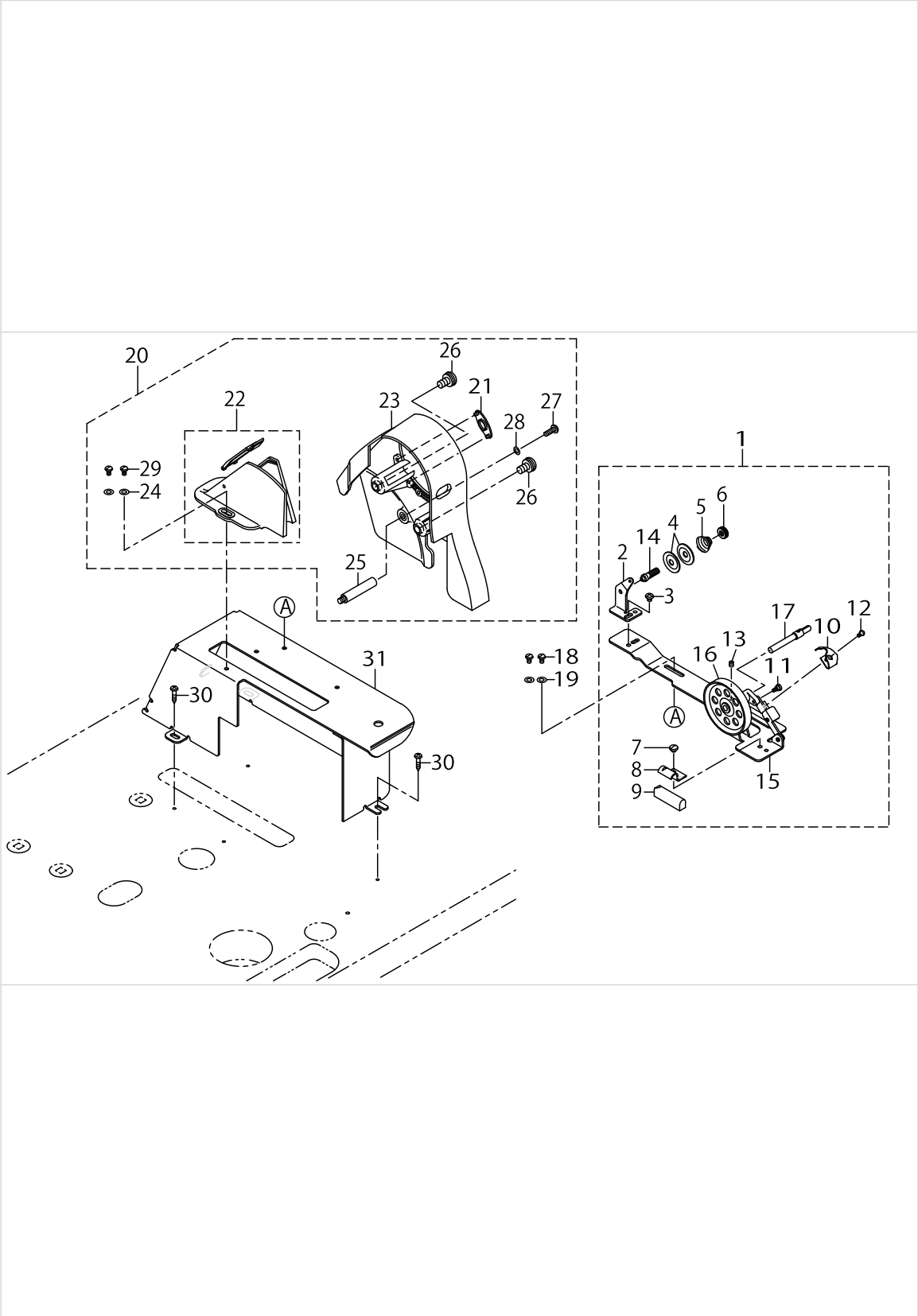
OIL LUBRICATION COMPONENTS



OIL LUBRICATION COMPONENTS

No.	Parts No.	Parts name	Remarks	Level	Cons	Qty
48	SS6090520SP	SCREW 9/64-40 L= 5.0				1
49	B3538112000	OIL RETURN TUBE HOLDER				1
50	SS4110715SP	SCREW 11/64-40 L=7				1
51	B3510246000	PIPE HOLDER (4)				1
52	SS4110715SP	SCREW 11/64-40 L=7				1
53	40004005	HOOK SUPPLY OIL PIPE				1
54	B3508512000	OIL FELT HOLDER				1
55	SS4110715SP	SCREW 11/64-40 L=7				1
56	40016341	CYLINDER RETURN FELT				1

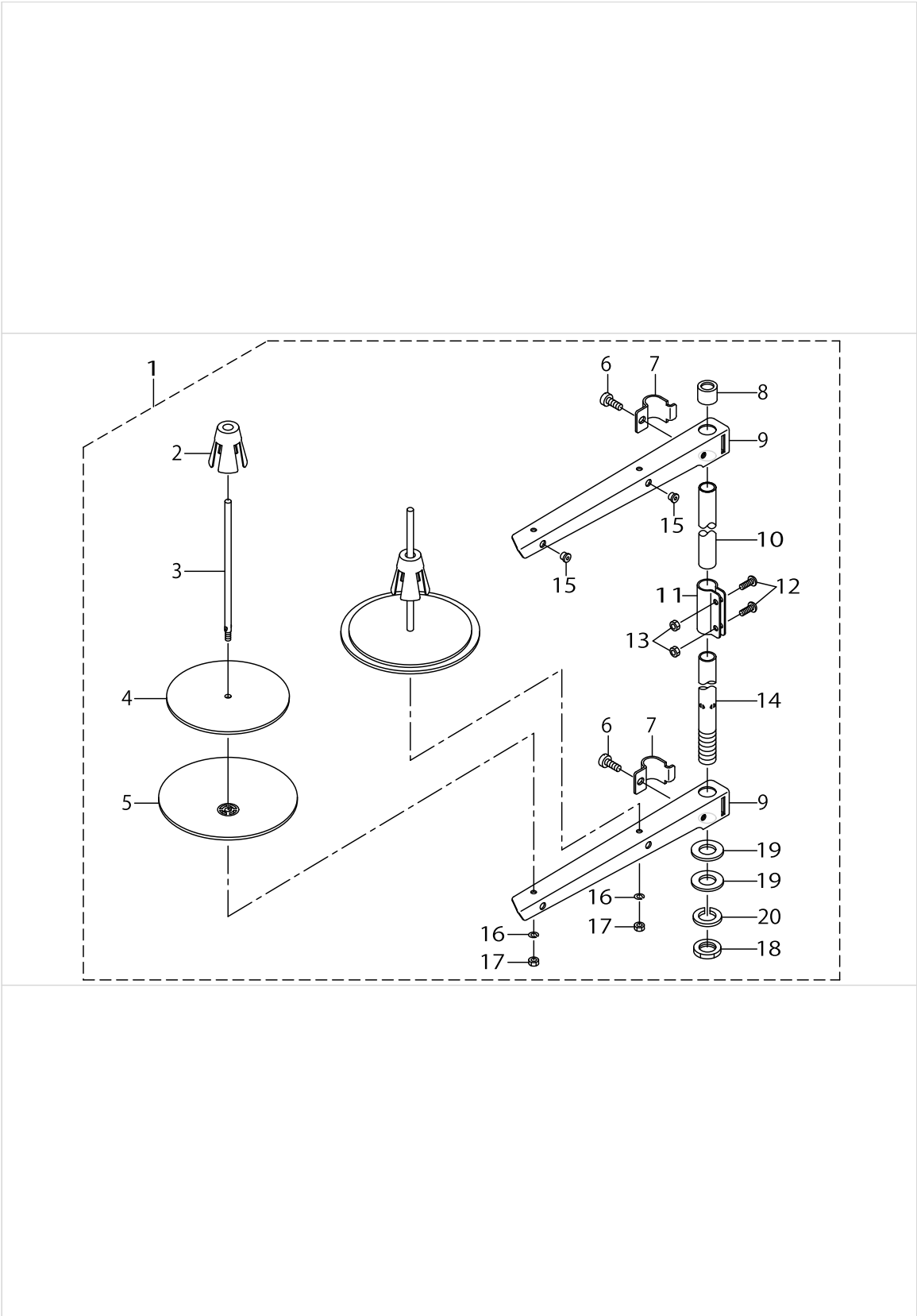
BELT COVER & BOBBIN COMPONENTS



BELT COVER & BOBBIN COMPONENTS

No.	Parts No.	Parts name	Remarks	Level	Cons	Qty
1	11415866	BOBBIN WINDER COMPL				1
2	22928501	THREAD TENSION POST BASE		*		1
3	SS4110515SP	SCREW 11/64-40 L=5		*		1
4	22928907	THREAD TENSION DISK		*		2
5	22929004	THREAD TENSION SPRING		*		1
6	22928808	NUT		*		1
7	SS7110350SP	SCREW 11/64-40 L=3.5		*		1
8	22928402	CONTROL RUBBER HOLDING PLATE		*		1
9	22928303	CONTROL RUBBER		*		1
10	11415908	POSITIONING FINGER		*		1
11	SD0490261SP	HINGE SCREW D=4.9 H=2.6		*		1
12	SS7081310SP	SCREW 1/8-44 L=12.5		*		1
13	SS8110510SP	SCREW 11/64-40 L=5		*		1
14	22928709	THREAD TENSION POST		*		1
15	22927305	BOBBIN WINDER BASE		*		1
16	22927404	BOBBIN WINDER		*		1
17	22927602	BOBBIN WINDER SPINDLE		*		1
18	SS4110715SP	SCREW 11/64-40 L=7				2
19	WP0501016SD	WASHER 5X10.5X1				2
20	40038942	ASSY_BELT_COVER_6390				1
21	22933501	BELT COVER A CAP		*		1
22	22933659	BELT COVER B COMPL.		*		1
23	22933402	BELT COVER A		*		1
24	WP0501016SD	WASHER 5X10.5X1		*		2
25	22933907	BELT COVER STRUT		*		1
26	22934004	SET SCREW		*		2
27	SS4121415SP	SCREW 3/16-28 L=14		*		1
28	WP0501016SD	WASHER 5X10.5X1		*		1
29	SS4110715SP	SCREW 11/64-40 L=7		*		2
30	SK3512001SE	WOOD SCREW D=5.1 L=20				3
31	40004058	BOBBIN WINDER BASE				1

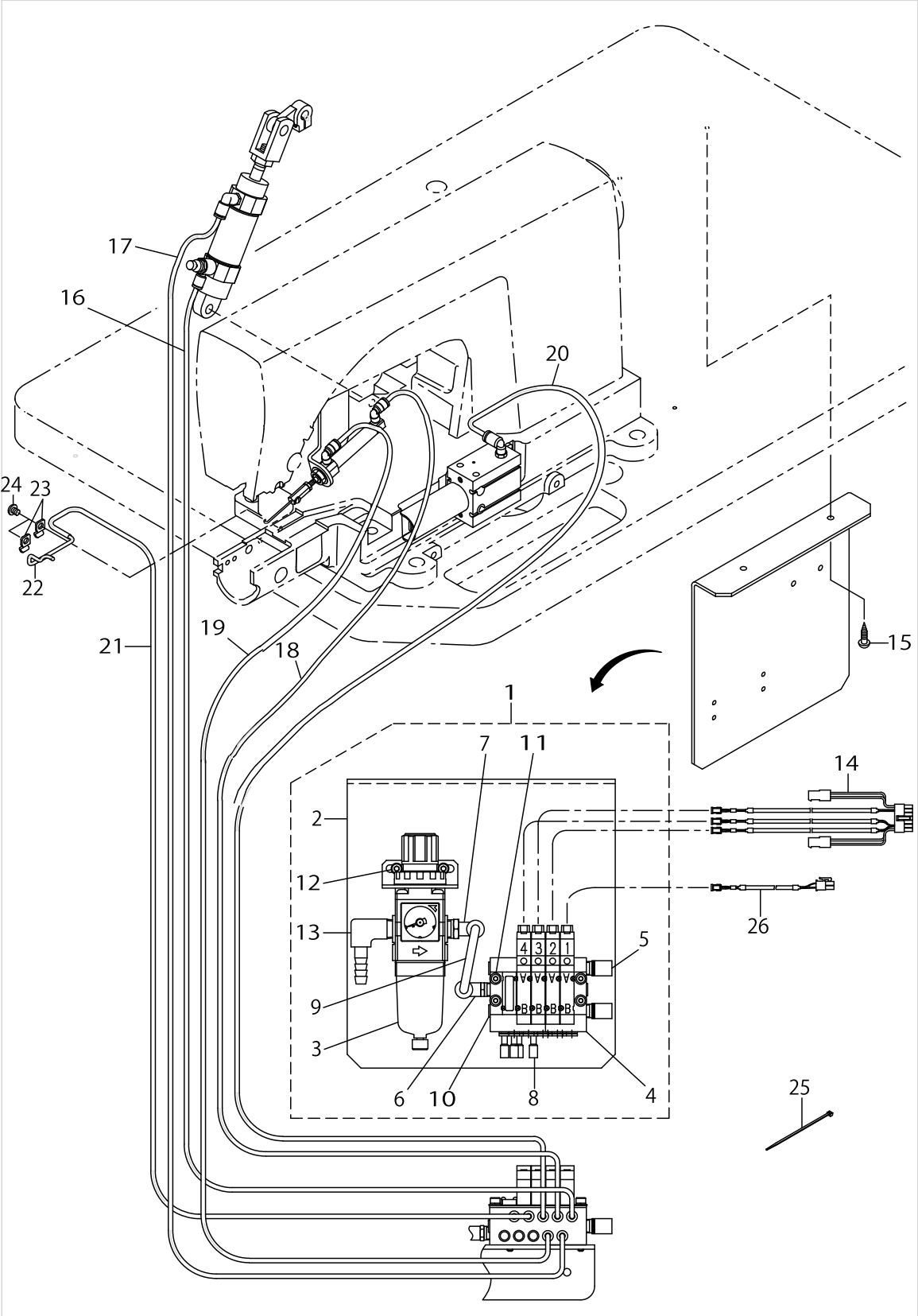
THREAD STAND COMPONENTS



THREAD STAND COMPONENTS

No.	Parts No.	Parts name	Remarks	Level	Cons	Qty
1	22930358	THREAD STAND ASM.				1
2	22931109	SPOOL RETAINER		*		2
3	22931000	SPOOL PIN		*		2
4	22930903	SPOOL REST CUSHION		*		2
5	22930804	SPOOL REST		*		2
6	SM6061610SC	SCREW M6 L=16		*		2
7	22930705	THREAD GUIDE ARM JOINT		*		2
8	22931406	SPOOL REST ROD RUBBER CAP		*		1
9	22930507	SPOOL REST ARM		*		2
10	22930408	SPOOL REST ROD UPPER		*		1
11	22931307	SPOOL REST ROD JOINT		*		1
12	SM4051405SE	SCREW M5 L=14		*		2
13	NM6050001SE	NUT M5		*		2
14	22930309	SPOOL REST ROD LOWER		*		1
15	22931208	THREAD GUIDE		*		2
16	WS0510002KN	SPRING WASHER		*		2
17	NM6050001SE	NUT M5		*		2
18	NM6160511SE	NUT M16X1.5		*		1
19	WP1612616SE	WASHER 16X30X2.6		*		2
20	WS1643202KR	SPRING WASHER		*		1

PNEUMATIC & ELECTRIC COMPONENTS (EXCLUSIVE PARTS FOR DLN-6390-7)



PNEUMATIC & ELECTRIC COMPONENTS (EXCLUSIVE PARTS FOR DLN-6390-7)

No.	Parts No.	Parts name	Remarks	Level	Cons	Qty
1	40004041	AIR UNIT				1
2	40004042	PANEL		*		1
3	PF0552070B0	FILTER REGULATOR		*		1
4	PV0351580A0	MANIFOLD VALVE		*		1
5	PX055103000	SILENCER		*		2
6	PJ304065101	ELBOW UNION 6XPT1/8		*		1
7	PJ304065201	ELBOW UNION 6XPT1/4		*		1
8	PX500014000	PLUG		*		4
9	BT0600401EB	TUBE		*		0.15
10	PJ025100002	PLUG R1/8		*		3
11	SL6043592TN	SCREW		*		4
12	SL6051092TN	SCREW		*		2
13	PJ046528001	L HOSE NIPPLE		*		1
14	40033334	SOLENOID_VALVE_CODE_510				1
15	SK3512001SE	WOOD SCREW D=5.1 L=20				2
16	BT0400251EA	TUBE HOSE BLUE				1.1
17	BT0400251EC	TUBE HOSE YELLOW				1.1
18	BT0400251ED	TUBE HOSE GREEN				1.3
19	BT0400251EE	TUBE HOSE RED				1.3
20	BT0400251EF	VINYL TUBE				1.2
21	BT0400251EB	URETHANE HOSE BLACK				1.2
22	40004045	THREAD TRIMMER BLOW PIPE				1
23	GCL03009000	PIPE PRESSER				2
24	SS4120615SP	SCREW 3/16-28 L=6				2
25	EA9500B0100	CABLE BAND				4
26	40003754	HAND LIFTER RELAY CONNECTOR ASM.				1

TABLE & STAND COMPONENTS (FOR JT-D720)

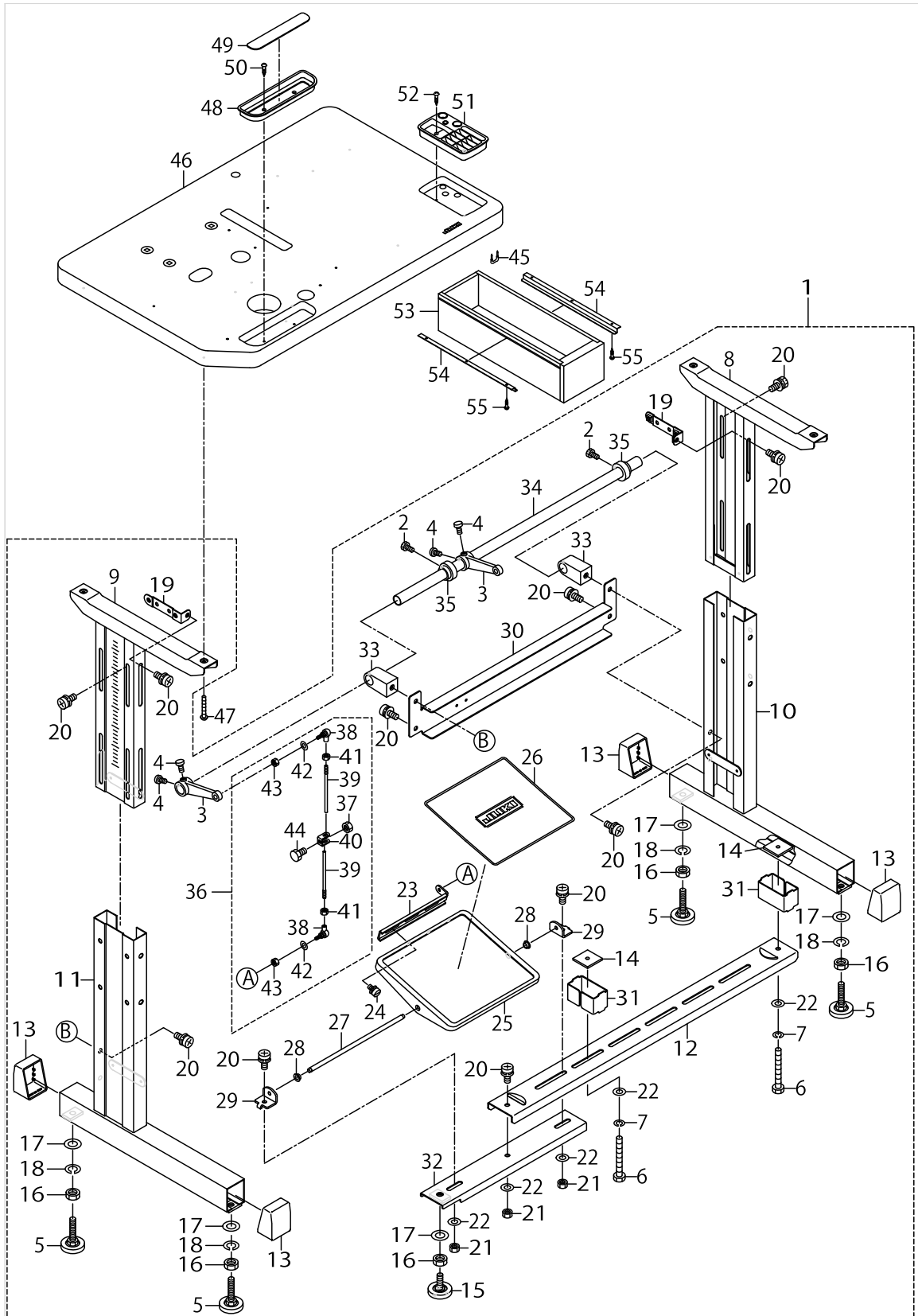


TABLE & STAND COMPONENTS (FOR JT-D720)

No.	Parts No.	Parts name	Remarks	Level	Cons	Qty
1	40004477	STAND ASM.				1
2	SM9061203SE	SCREW M6 L=12		*		2
3	B812101900A	PEDAL CONNECTION ARM		*		2
4	SM9061203SE	SCREW M6 L=12		*		4
5	17833658	ADJUSTING BOLT ASM.		*		4
6	SM9086503SM	SCREW M8 L=65		*		2
7	WS0861410KR	SPRING WASHER 8.6X15X1.4		*		2
8	11157666	UPPER STAND ASM. RIGHT		*		1
9	11157765	UPPER STAND ASM. LEFT		*		1
10	12948857	STAND COMPL.(RIGHT)		*		1
11	12948956	STAND COMPL.(LEFT)		*		1
12	11158409	STAND SIDE SUPPORT		*		1
13	11158607	RUBBER CAP		*		4
14	17007402	NUT		*		2
15	B81085550A0	ADJUSTING SCREW ASM. WITH CAP		*		1
16	NM6120003SE	NUT M12		*		5
17	WP1302501SE	WASHER M12		*		5
18	WS1253010KN	SPRING WASHER 12.5X21.5X3		*		4
19	11158516	UPPER STAND PLATE		*		2
20	SL9082091SE	WASHER HEXAGONAL BOLT		*		13
21	NM6080001SE	NUT M8		*		3
22	WP0871602SE	WASHER 8.7X18X1.6		*		5
23	11158706	PEDAL ADJUSTING PLATE		*		1
24	SL9061291SE	WASHER HEXAGONAL BOLT M6 L=12		*		2
25	11158805	PEDAL		*		1
26	11158904	PEDAL MAT		*		1
27	D8115555B00	PEDAL SHAFT		*		1
28	D8113555B00	PEDAL BUSHING		*		2
29	11159001	PEDAL SHAFT BRACKET		*		2
30	12949400	CROSS STAND SIDE SUPPORT		*		1
31	11159506	STRUT AUXILIARY PLATE		*		2
32	40004482	UNDER SUPPORT ASM.		*		1
33	B813201900A	UNDER STAND SIDE SUPPORT BASE		*		2
34	40004481	PEDAL AXIS		*		1
35	B8125012000	PEDAL THRUST COLLAR		*		2
36	40017346	PEDAL CONNECTING ROD ASM.		*		1
37	NM6080001SE	NUT M8		*		1
38	22958557	CONNECTING BALL ASM.		*		2
39	40017347	CONNECTING ROD		*		2
40	22958805	CONNECTING BALL JOINT		*		1
41	NM6060003SE	NUT FOR BRACKET		*		2
42	WP0671016SE	WASHER 6.7X13X1		*		2
43	NM6060003SE	NUT FOR BRACKET		*		2
44	SM9081620SE	SCREW M8 L=16		*		1
45	D8204555D00	DRAWER STOPPER				1
46	40004480	TABLE				1
47	ST9053511SR	TAPPING SCREW M5X35				4

TABLE & STAND COMPONENTS (FOR JT-D720)

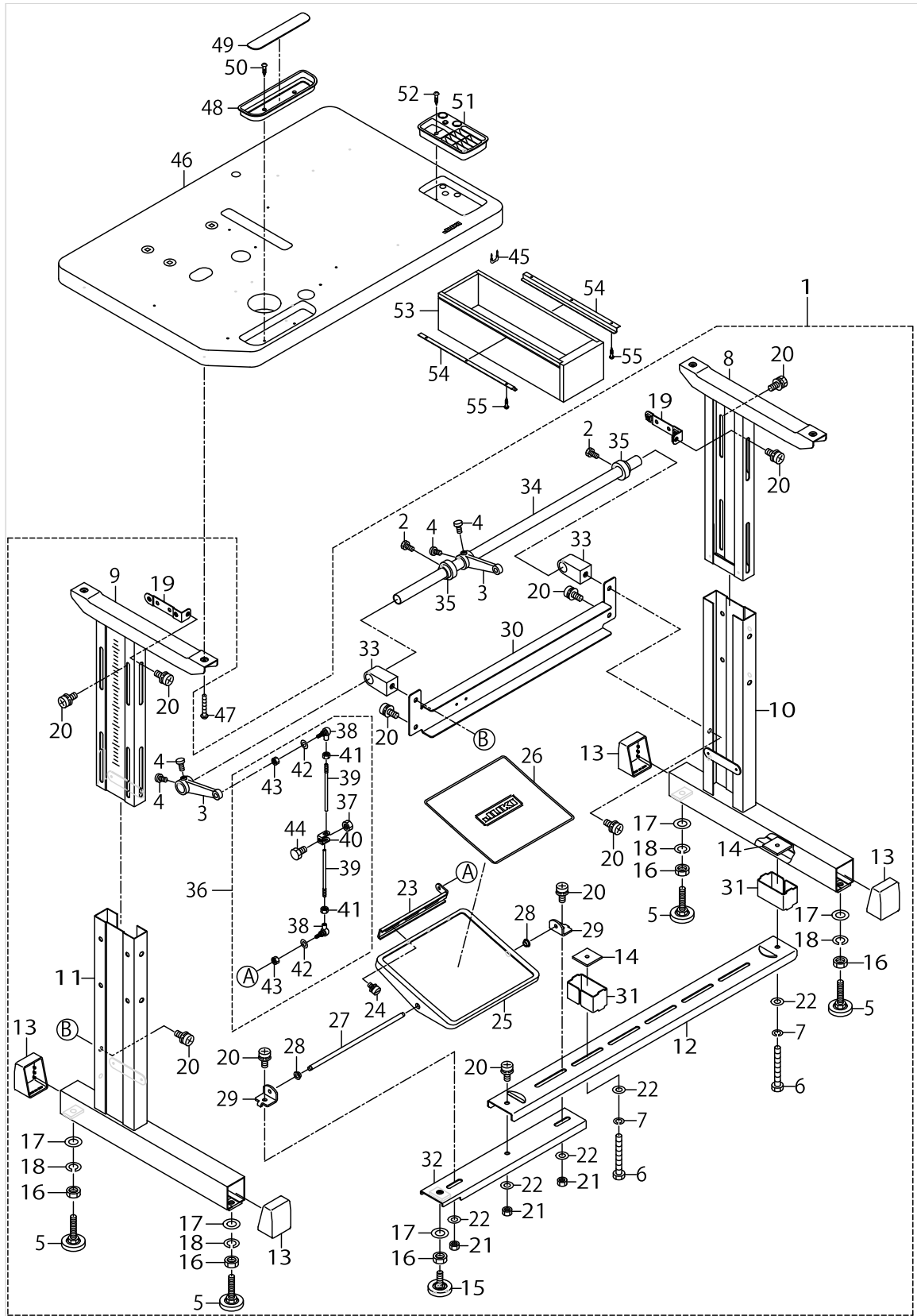


TABLE & STAND COMPONENTS (FOR JT-D720)

No.	Parts No.	Parts name	Remarks	Level	Cons	Qty
48	11156007	CASE				1
49	11155801	CASE MAGNET				1
50	SK3382001SC	WOOD SCREW D=3.8 L=20				2
51	11155751	CASE ASM. B				1
52	SK3382001SC	WOOD SCREW D=3.8 L=20				2
53	11155108	DRAWER				1
54	11155207	DRAWER SUPPORT				2
55	SK3311600SE	WOOD SCREW D=3.1 L=16				6

TABLE & STAND COMPONENTS (FOR JT-D729)

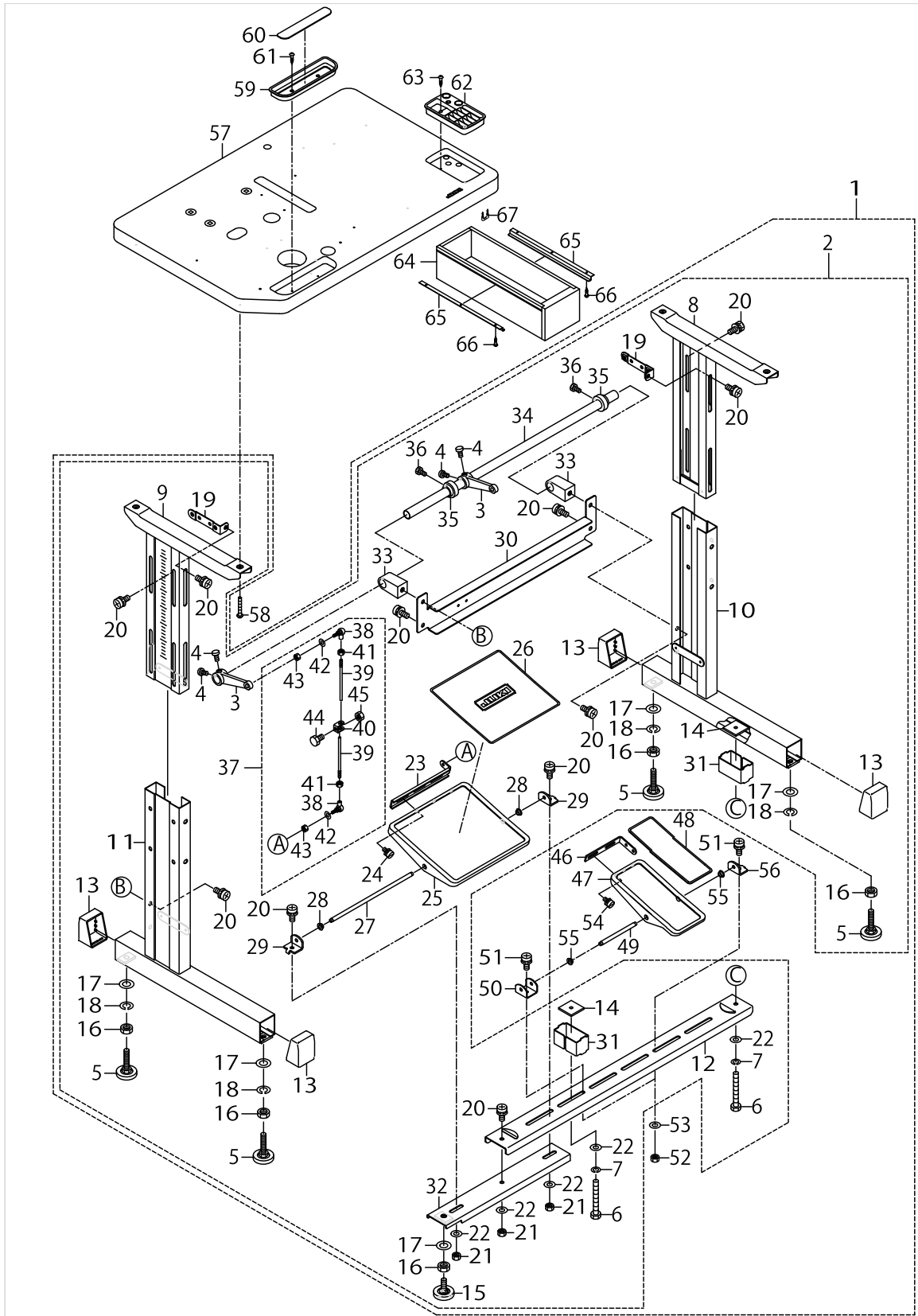


TABLE & STAND COMPONENTS (FOR JT-D729)

No.	Parts No.	Parts name	Remarks	Level	Cons	Qty
1	40004478	STAND ASM.				1
2	40004477	STAND ASM.		*		1
3	B812101900A	PEDAL CONNECTION ARM		*		2
4	SM9061203SE	SCREW M6 L=12		*		4
5	17833658	ADJUSTING BOLT ASM.		*		4
6	SM9086503SM	SCREW M8 L=65		*		2
7	WS0861410KR	SPRING WASHER 8.6X15X1.4		*		2
8	11157666	UPPER STAND ASM. RIGHT		*		1
9	11157765	UPPER STAND ASM. (LEFT)		*		1
10	12948857	STAND COMPL.(RIGHT)		*		1
11	12948956	STAND COMPL.(LEFT)		*		1
12	11158409	STAND SIDE SUPPORT		*		1
13	11158607	RUBBER CAP		*		4
14	17007402	NUT		*		2
15	B81085550A0	ADJUSTING SCREW ASM. WITH CAP		*		1
16	NM6120003SE	NUT M12		*		5
17	WP1302501SE	WASHER M12		*		5
18	WS1253010KN	SPRING WASHER 12.5X21.5X3		*		4
19	11158516	UPPER STAND PLATE		*		2
20	SL9082091SE	WASHER HEXAGONAL BOLT		*		13
21	NM6080001SE	NUT M8		*		3
22	WP0871602SE	WASHER 8.7X18X1.6		*		5
23	11158706	PEDAL ADJUSTING PLATE		*		1
24	SL9061291SE	WASHER HEXAGONAL BOLT M6 L=12		*		2
25	11158805	PEDAL		*		1
26	11158904	PEDAL MAT		*		1
27	D8115555B00	PEDAL SHAFT		*		1
28	D8113555B00	PEDAL BUSHING		*		2
29	11159001	PEDAL SHAFT BRACKET		*		2
30	12949400	CROSS STAND SIDE SUPPORT		*		1
31	11159506	STRUT AUXILIARY PLATE		*		2
32	40004482	UNDER SUPPORT ASM.		*		1
33	B813201900A	UNDER STAND SIDE SUPPORT BASE		*		2
34	40004481	PEDAL AXIS		*		1
35	B8125012000	PEDAL THRUST COLLAR		*		2
36	SM9061203SE	SCREW M6 L=12		*		2
37	12949657	CONNECTION BAR ASM.		*		1
38	D7117555BA0	JOINT BAR A ASM.		*		2
39	12949608	CONNECTION BAR		*		2
40	D7114555D00	COUPLING		*		1
41	NM6060001SE	NUT M6		*		2
42	WP0671016SE	WASHER 6.7X13X1		*		2
43	NM6060001SE	NUT M6		*		2
44	SM9081423SE	SCREW M8 L=14		*		1
45	NM6080721SE	NUT M8		*		1
46	GPF06080000	PEDAL ADJUSTING PLATE		*		1
47	GPF06060000	PEDAL		*		1

TABLE & STAND COMPONENTS (FOR JT-D729)

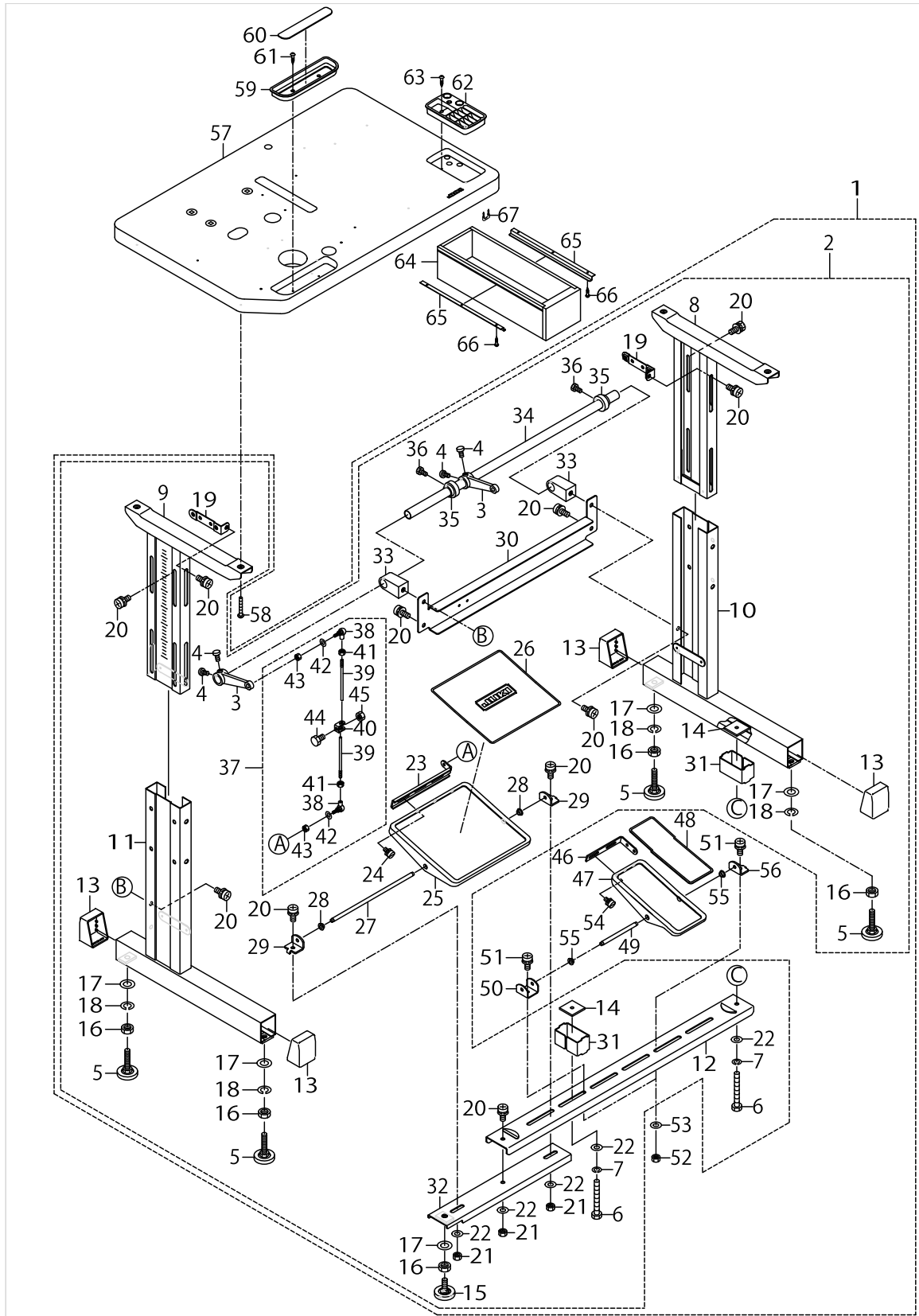
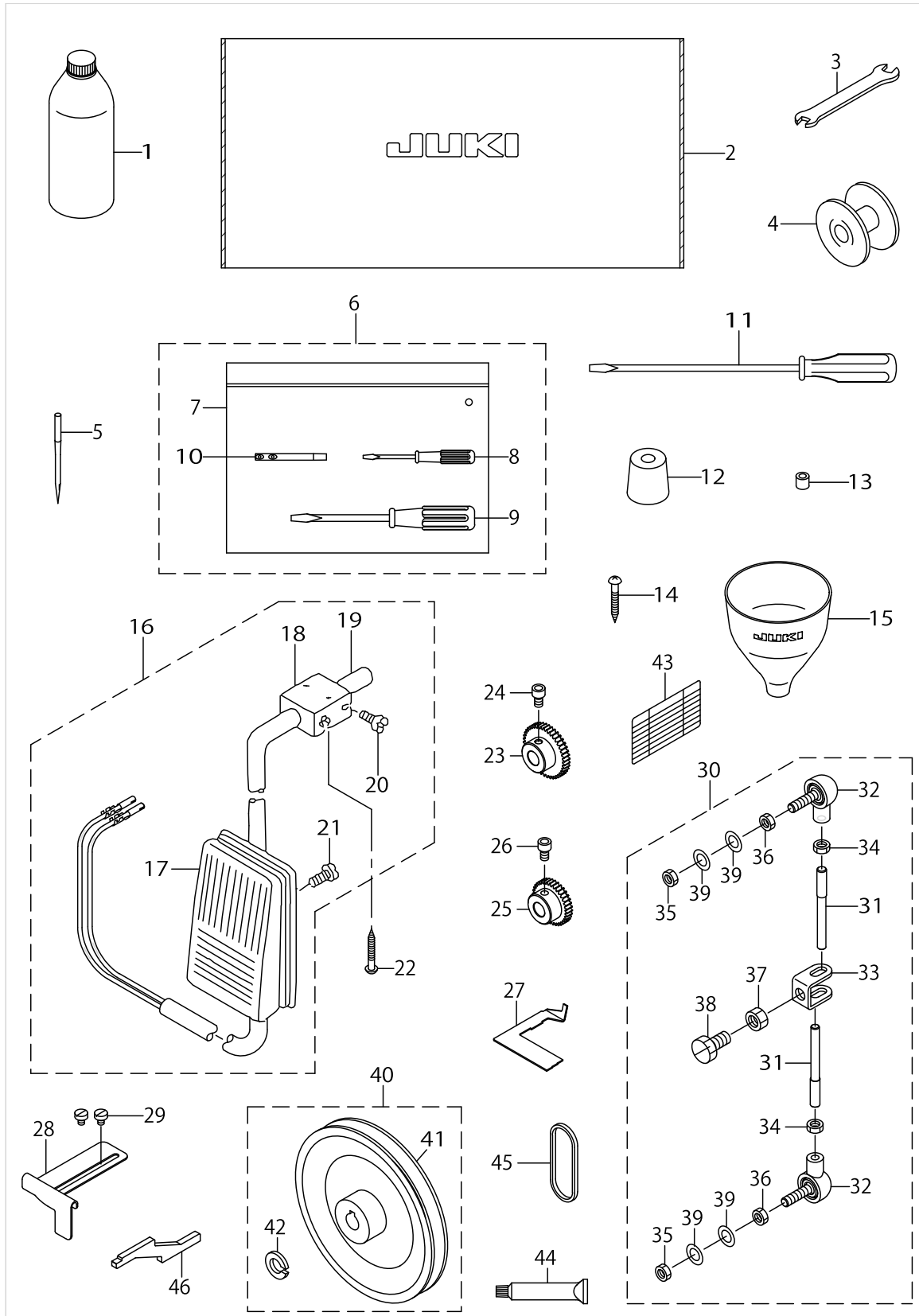


TABLE & STAND COMPONENTS (FOR JT-D729)

No.	Parts No.	Parts name	Remarks	Level	Cons	Qty
48	GPF06070000	PEDAL MAT		*		1
49	B8153771000	PEDAL CONNECTING ROD		*		1
50	12949202	PEDAL SHAFT BRACKET PLATE		*		1
51	SL9082091SE	WASHER HEXAGONAL BOLT		*		2
52	NM6080001SE	NUT M8		*		2
53	WP0871602SE	WASHER 8.7X18X1.6		*		2
54	SL9061291SE	WASHER HEXAGONAL BOLT M6 L=12		*		2
55	D8113555B00	PEDAL BUSHING		*		2
56	11159001	PEDAL SHAFT BRACKET		*		1
57	40004480	TABLE				1
58	ST9053511SR	TAPPING SCREW M5X35				4
59	11156007	CASE				1
60	11155801	CASE MAGNET				1
61	SK3382001SC	WOOD SCREW D=3.8 L=20				2
62	11155751	CASE ASM. B				1
63	SK3382001SC	WOOD SCREW D=3.8 L=20				2
64	11155108	DRAWER				1
65	11155207	DRAWER SUPPORT				2
66	SK3311600SE	WOOD SCREW D=3.1 L=16				6
67	D8204555D00	DRAWER STOPPER				1

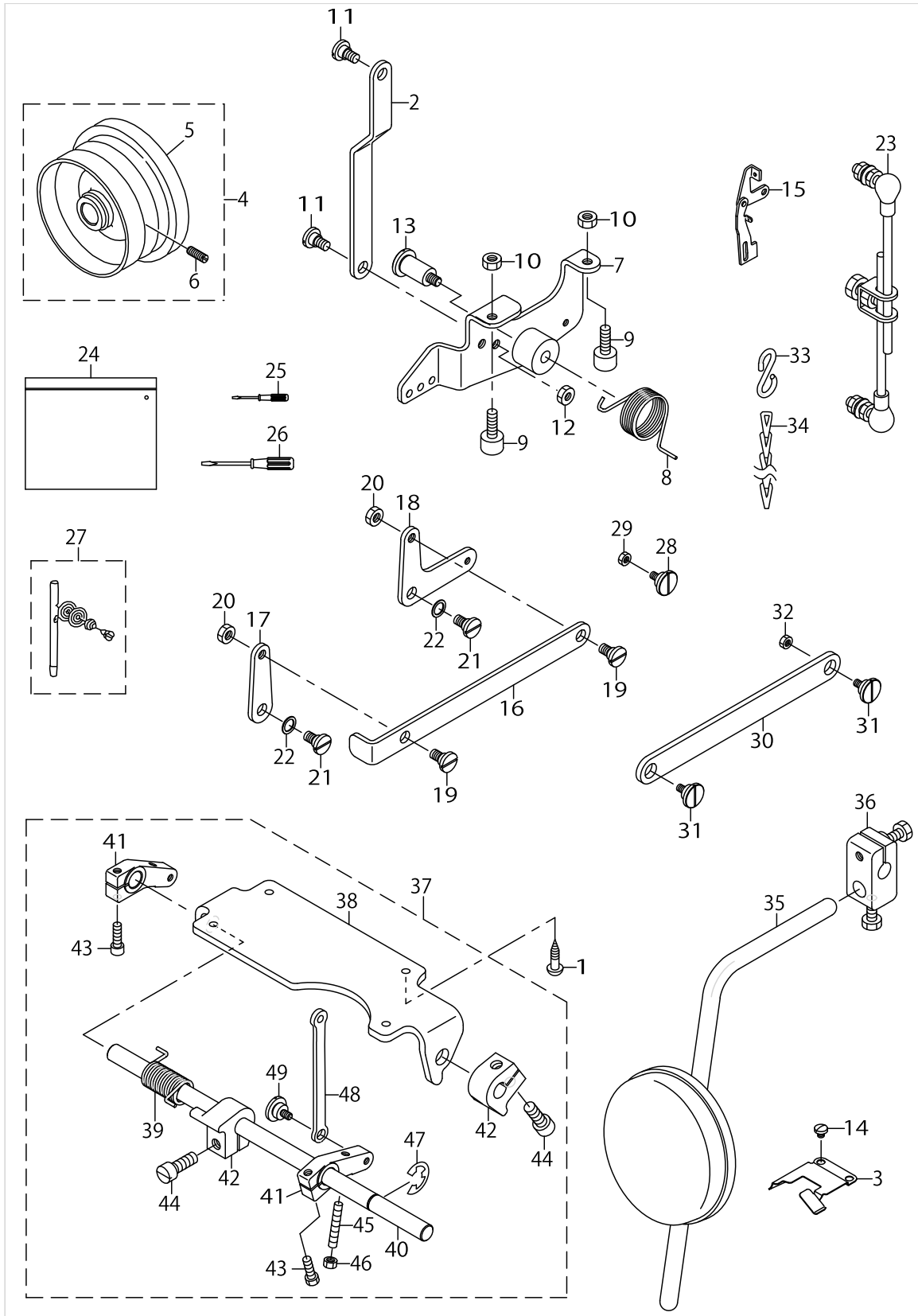
ACCESSORIE PARTS COMPONENTS



ACCESSORIE PARTS COMPONENTS

No.	Parts No.	Parts name	Remarks	Level	Cons	Qty
1	MDFRX1600C0	DEFRIX OIL NO.1(600CC)				1
2	22933303	VINYL COVER				1
3	D9103555D00	WRENCH 6X7				1
4	G1817875000	BOBBIN				1
5	MC230501402	NEEDLE 180GVS NM140(2-NEEDLE)				1
6	GAKA18600A0	ACCESSORIE BAG ASM. B	FOR DLN-6390-7			1
7	22932800	ACCESSORIE BAG		*		1
8	22933204	SCREW DRIVER SMALL		*		1
9	22933105	SCREW DRIVER MIDDLE		*		1
10	22958300	NEEDLE THREAD GUIDE PIN		*		1
11	22933006	SCREW DRIVER LARGE				1
12	13155403	DUST-PROOF RUBBER				4
13	22956205	WIPER HINGE SCREW COLLAR				4
14	SK3413201SE	WOOD SCREW D=4.1 L=32				4
15	13160601	FUNNEL				1
16	40004065	KNEE SWITCH ASM.	FOR DLN-6390-7			1
17	GAK840900A0	KNEE SWITCH ASM. A		*		1
18	MAT80230T00	KNEE SWITCH SUPPORT BASE		*		2
19	MAT80231T00	DRIVING BAR T002		*		1
20	SS6151220SP	SCREW 15/64-28 L=11.5		*		4
21	SS7111410SP	SCREW 11/64-40 L=14		*		2
22	SK3413201SE	WOOD SCREW D=4.1 L=32	FOR DLN-6390-7			2
23	40068708	STITCH_REGULATING_GEAR44				1
24	SM6050802TP	SCREW M5X0.8 L=8				1
25	40068709	STITCH_REGULATING_GEAR36				1
26	SM6050802TP	SCREW M5X0.8 L=8				1
27	40004055	GAUGE				1
28	40004056	EDGE GUIDE				1
29	SS6090520SP	SCREW 9/64-40 L=5.0				2
30	40004059	CONNECTING ROD ASM.	FOR DLN-6390-7			1
31	40004060	CONNECTING ROD		*		2
32	22958557	CONNECTING BALL ASM.		*		2
33	22958805	CONNECTING BALL JOINT		*		1
34	NM6060003SE	NUT FOR BRACKET		*		2
35	NM6060003SE	NUT FOR BRACKET		*		2
36	NM6060003SE	NUT FOR BRACKET		*		2
37	NM6080001SE	NUT M8		*		1
38	SM9081620SE	SCREW M8 L=16		*		1
39	WP0820526SD	WASHER 8.2X14X0.5		*		4
40	MTSP01000B0	MOTOR PULLEY ASM. P.C.D. 100	FOR DLN-6390-7			1
41	MTSP0100000A	MOTOR PULLEY		*		1
42	WS1002560KR	SPRING WASHER 10X18X2.5		*		1
43	40003741	STITCH LENGTH LABEL				1
44	40006323	JUKI GREASE A TUBE				1
45	MTJVH00500A	V BELT 50	FOR DLN-6390-7			1
46	40008971	NEEDLE HEIGHT GAUGE				1

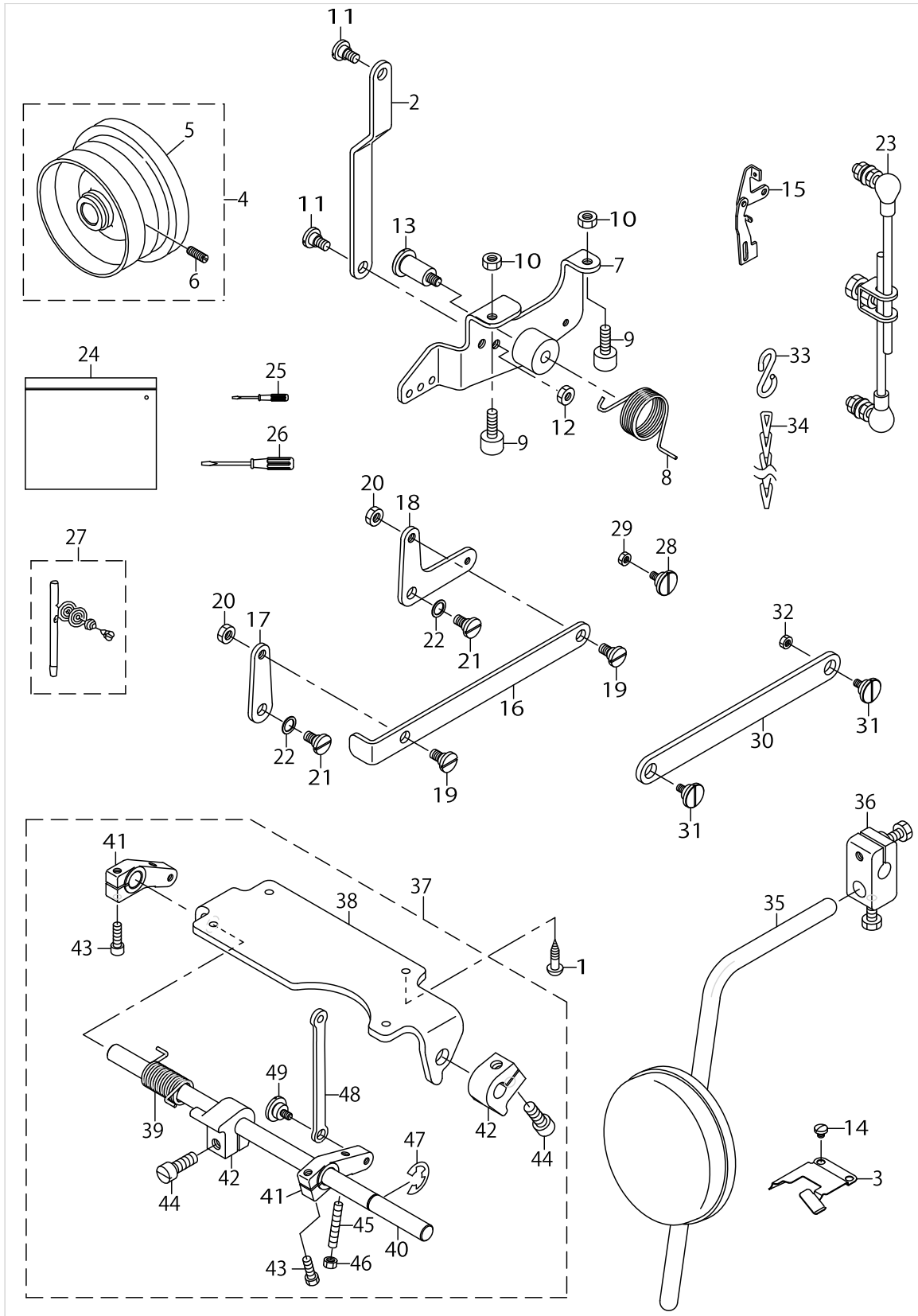
EXCLUSIVE PARTS FOR DLN-6390



EXCLUSIVE PARTS FOR DLN-6390

No.	Parts No.	Parts name	Remarks	Level	Cons	Qty
1	SK3452001SE	WOOD SCREW D=4.5 L=20	ACCESSORIE PARTS			4
2	40004403	HAND LIFTER ROD				1
3	40019704	OIL SHILD				1
4	22927255	HAND WHEEL ASM.				1
5	22927206	HAND WHEEL		*		1
6	SS8151550SP	SCREW 15/64-28 L=15		*		2
7	40004405	HAND LIFTER LINK ASM.				1
8	40004408	HAND LIFTER ROD RETURN				1
9	GAK01003A00	PRESSER LIFTER STOPPER A				2
10	NM6060001SE	NUT M6				2
11	SD0800402TP	HINGE SCREW D=8 H=4				2
12	NS6150430SP	NUT 15/64-28				1
13	SD1202101TP	KNEE LIFTER LINK FULCRUM SHAFT				1
14	SS7110410SP	SCREW 11/64-40 L=4				2
15	11305653	TENSION RELEASE PLATE ASM.				1
16	40004410	HEMMER OPERATION ROD A				1
17	40004411	HEMMER OPERATION LINK A				1
18	40004412	HEMMER OPERATION LINK B				1
19	SD0800402TP	HINGE SCREW D=8 H=4				2
20	NS6150430SP	NUT 15/64-28				2
21	SD0800402TP	HINGE SCREW D=8 H=4				2
22	WP0820516SP	WASHER 11.6X8.2X0.6				2
23	40017346	CONNECTING ROD ASM.	ACCESSORIE PARTS			1
24	22932800	ACCESSORIE BAG	ACCESSORIE PARTS			1
25	22933204	SCREW DRIVER SMALL	ACCESSORIE PARTS			1
26	22933105	SCREW DRIVER MIDDLE	ACCESSORIE PARTS			1
27	22932552	NEEDLE THREAD GUIDE PIN ASM.	ACCESSORIE PARTS			1
28	SD1000451TP	SCREW D=10 H=4.5	ACCESSORIE PARTS			1
29	NS6110350SP	NUT 11/64-40	ACCESSORIE PARTS			1
30	40004413	HEMMER CONNECTING ROD	ACCESSORIE PARTS			1
31	SD1000451TP	SCREW D=10 H=4.5	ACCESSORIE PARTS			2
32	NS6110350SP	NUT 11/64-40	ACCESSORIE PARTS			1
33	13160304	S SHAPED HOOK	ACCESSORIE PARTS			2
34	13160403	CHAIN	ACCESSORIE PARTS			1
35	22934251	KNEE PAD PLATE ASM.	ACCESSORIE PARTS			1
36	22932453	BRACKET ASM.	ACCESSORIE PARTS			1
37	40004417	KNEE LIFTER DEVICE	ACCESSORIE PARTS			1
38	40004418	KNEE LIFTER BASE		*		1
39	40004419	KNEE LIFTER SPRING		*		1
40	40004420	KNEE PRESS SHAFT		*		1
41	21342803	KNEE LIFTER LEVER A		*		2
42	12944906	KNEE LIFTER SPRING RACK ARM		*		2
43	SM6051602TP	SCREW M5X0.8 L=16		*		2
44	SS9182010SN	SCREW 9/32-20 L=20		*		2
45	SM8053002TP	SCREW M5 L=30		*		1
46	NM6050001SD	NUT M5X0.8		*		1
47	RE1000000K0	E-RING 10		*		1

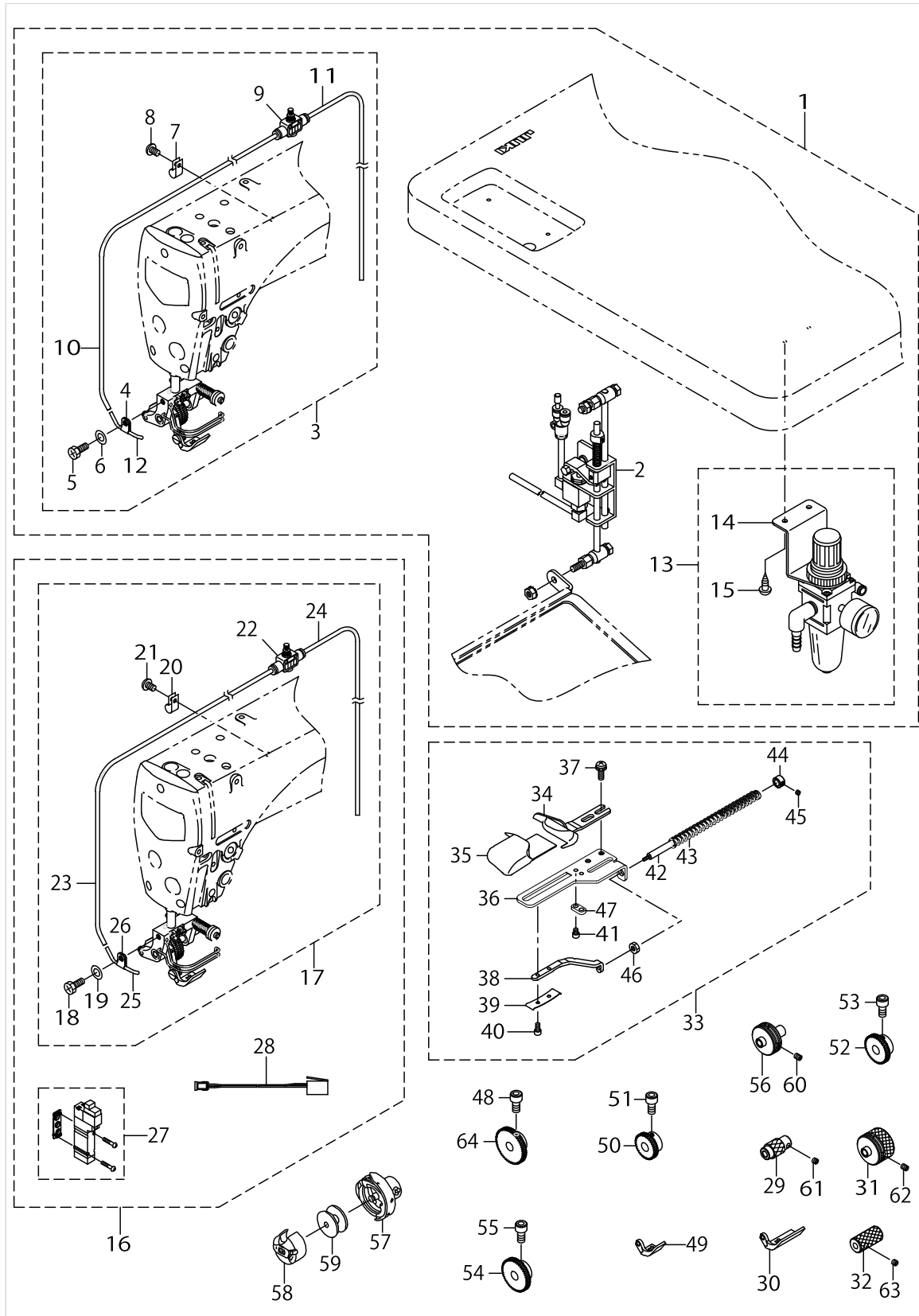
EXCLUSIVE PARTS FOR DLN-6390



EXCLUSIVE PARTS FOR DLN-6390

No.	Parts No.	Parts name	Remarks	Level	Cons	Qty
48	10720407	ADJUSTING CONNECTION RING		*		1
49	SD1000451TP	SCREW D=10 H=4.5		*		1

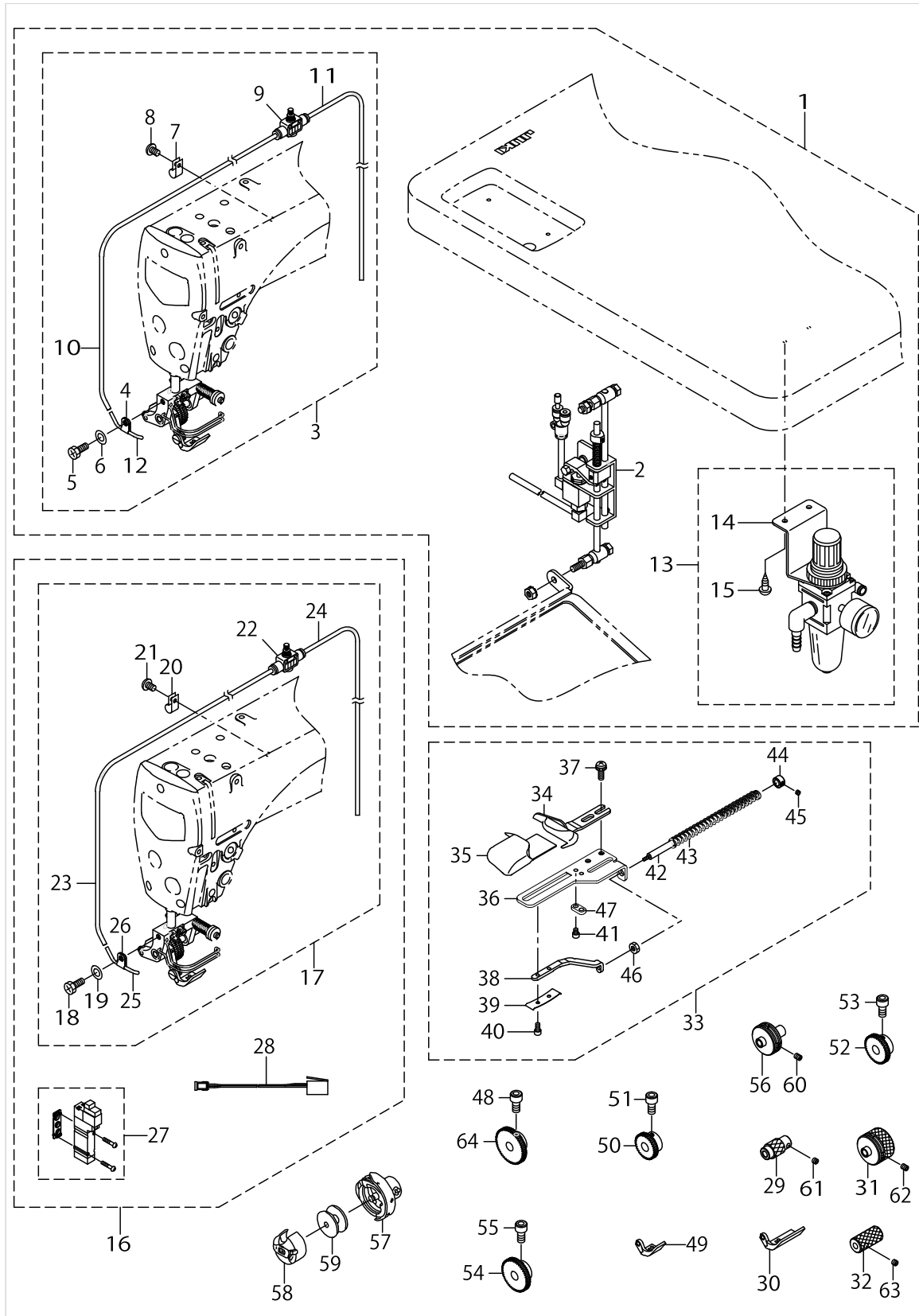
OPTIONAL PARTS COMPONENTS



OPTIONAL PARTS COMPONENTS

No.	Parts No.	Parts name	Remarks	Level	Cons	Qty
1	40070355	NEEDLE_COOLER_6390	FOR DLN-6390			1
2	40004081	TOP ACTION AIR SWITCH UNIT		*		1
3	40070268	ASSY_NEEDLE_COOLER_PIPE		*		1
4	40004046	PIPE FIXED PLATE		*		1
5	SM4050855SP	SCREW		*		1
6	WP0550800SP	WASHER 5.5X10X0.8		*		1
7	B3536122000	HOLDER		*		1
8	SS4110615SP	SCREW 11/64-40 L=6		*		1
9	PC012401000	SPEED CONTROLLER		*		1
10	BT0400251EB	URETHANE HOSE BLACK		*		0.15
11	BT0400251EB	URETHANE HOSE BLACK		*		1.3
12	40004073	NEEDLE COOLER PIPE		*		1
13	40004085	AIR ALL-ASM.		*		1
14	40004086	AIR ASM.		*		1
15	SK3412001SE	WOOD SCREW D=4.1 L=20		*		2
16	40070354	NEEDLE_COOLER_6390-7	FOR DLN-6390-7			1
17	40070268	ASSY_NEEDLE_COOLER_PIPE		*		1
18	SM4050855SP	SCREW		*		1
19	WP0651056SD	WASHER 6.5X11X1		*		1
20	B3536122000	HOLDER		*		1
21	SS4110615SP	SCREW 11/64-40 L=6		*		1
22	PC012401000	SPEED CONTROLLER		*		1
23	BT0400251EB	URETHANE HOSE BLACK		*		0.15
24	BT0400251EB	URETHANE HOSE BLACK		*		1.3
25	40004073	NEEDLE COOLER PIPE		*		1
26	40004046	PIPE FIXED PLATE		*		1
27	PV150103000	VALVE		*		1
28	40106208	SOLENOID VALVE CABLE ASM.		*		1
29	40068727	LOWER_FEED_ROLLER				1
30	40068728	PRESSER_FOOT_1				1
31	40068729	TOP_FEED_ROLLER				1
32	40068738	LOWER_FEED_ROLLER				1
33	40068746	ASSY_HEMMER_1				1
34	40068747	RULLER RIGHT 1		*		1
35	40068744	RULLER LEFT		*		1
36	40068731	HEMMER_BASE_1		*		1
37	SL4051691SC	SCREW M5X0.8 L=16		*		2
38	40068722	HEMMER_SCROLL_SLIDE		*		1
39	40068723	HEMMER_SCROLL_SLIDE_SPRING		*		1
40	SM6040802TP	SCREW M4X0.7 L=8		*		1
41	SM6040502TP	SCREW M4X0.7 L=5		*		1
42	40068724	OPERATING_ROD		*		1
43	40068725	GUIDE_SHAFT_SPRING		*		1
44	CS0640866SB	THRUST COLLAR D=6.35 W=8		*		1
45	SS8110320SP	SCREW 11/64-40 L=3.2		*		1
46	NM6040002SN	NUT M4		*		1
47	40068739	HEMMER_STOPPER		*		1

OPTIONAL PARTS COMPONENTS



OPTIONAL PARTS COMPONENTS

No.	Parts No.	Parts name	Remarks	Level	Cons	Qty
48	SM6050802TP	SCREW M5X0.8 L=8				1
49	40068726	PRESSER_FOOT_3/8				1
50	40068710	STITCH_REGULATING_GEAR33				1
51	SM6050802TP	SCREW M5X0.8 L=8				1
52	40068712	STITCH_REGULATING_GEAR37				1
53	SM6050802TP	SCREW M5X0.8 L=8				1
54	40068713	STITCH_REGULATING_GEAR43				1
55	SM6050802TP	SCREW M5X0.8 L=8				1
56	40068734	TOP_FEED_ROLLER				1
57	40016206	HOOK 1 ASM.				1
58	11038759	BOBBIN CASE ASM.				1
59	B9117552A00	BOBBIN				1
60	SM8050602TP	SCREW M5 L=6				1
61	SM8050412TP	SCREW M5 L=4				1
62	SM8050602TP	SCREW M5 L=6				1
63	SM8050412TP	SCREW M5 L=4				1
64	40068711	STITCH_REGULATING_GEAR47				1

HOW TO MAKE USE OF THIS PARTS LIST

1.Explanation of codes

1)"*"mark.....means this part is changed from the previous parts book.

As to the details of the change, refer to the "List for information of change".

2)"#01".....refer to "Note" explanation at bottom of page.

2.Codes on the "Qty" column

• Each numeral indicates the number of parts required.

• "0.1" and "2.5" indicate the length (in meters) of the respective parts.

3.Parentheses mean that the corresponding part is a subpart that constructs an assembly part.

4.Dotted lines on the Figures indicate assembly parts.

1."注記"欄の記号説明

1) "*"印.....前回のパーツブックに比較して今回変更された部品を意味します。

変更内容は、"変更情報リスト"を参照してください。

2) "#01".....ページ下の"注記"の説明を参照してください。

2.数量欄の数字は、個数を表し、0.1、2.5等の数値は、長さ（単位メートル）を表します。

3.数量欄の（ ）は、組部品を構成している子部品であることを意味します。

4.イラストページの-----枠は、組構成であることを意味します。

NUMERICAL INDEX OF PARTS

PART NO	PAGE	REF NO.	PART NO	PAGE	REF NO.	PART NO	PAGE	REF NO.
10109809	20	17	11159506	42	31	17833658	38	5
10720407	50	48	11202306	6	18	17833658	42	5
11002409	6	19	11210051	6	24	21342803	48	41
11002508	6	20	11210119	16	15	22555205	20	31
11004207	8	3	11210200	16	16	22555304	20	29
11008604	16	12	11210507	16	17	22614002	10	45
11008703	16	13	11210705	16	19	22890008	8	35
11038759	54	58	11210754	16	18	22901003	2	16
11039351	6	36	11210903	16	21	22901805	2	19
11040953	20	26	11211000	16	22	22903207	6	17
11041605	20	30	11214509	16	23	22904155	6	8
11071453	6	11	11221504	28	37	22905103	8	2
11071495	6	10	11301306	10	6	22907406	10	14
11094307	20	27	11301702	10	34	22907604	10	13
11100104	2	20	11303906	16	24	22907703	10	15
11155108	40	53	11304003	16	26	22907802	10	40
11155108	44	64	11304052	16	25	22908305	10	19
11155207	40	54	11305653	48	15	22908552	10	38
11155207	44	65	11305901	12	52	22908800	10	24
11155751	40	51	11306107	12	50	22910459	16	28
11155751	44	62	11307006	28	38	22910905	16	29
11155801	40	49	11307204	28	32	22911002	16	30
11155801	44	60	11403961	6	27	22911101	16	31
11156007	40	48	11404704	8	15	22916506	8	14
11156007	44	59	11404753	8	13	22919203	6	38
11157666	38	8	11409604	20	8	22920607	2	44
11157666	42	8	11415866	32	1	22920706	2	3
11157765	38	9	11415908	32	10	22921001	2	47
11157765	42	9	12944906	48	42	22921209	4	55
11158409	38	12	12948857	38	10	22921407	4	56
11158409	42	12	12948857	42	10	22921506	4	53
11158516	38	19	12948956	38	11	22921605	4	57
11158516	42	19	12948956	42	11	22921803	4	52
11158607	38	13	12949202	44	50	22923015	28	16
11158607	42	13	12949400	38	30	22923056	28	14
11158706	38	23	12949400	42	30	22923205	28	19
11158706	42	23	12949608	42	39	22923312	28	15
11158805	38	25	12949657	42	37	22923403	28	21
11158805	42	25	13155403	46	12	22923502	28	23
11158904	38	26	13160304	48	33	22923601	28	22
11158904	42	26	13160403	48	34	22923700	28	17
11159001	38	29	13160601	46	15	22923809	28	20
11159001	42	56	13711205	22	48	22923908	28	24
11159001	44	56	17007402	38	14	22924609	28	36
11159506	38	31	17007402	42	14	22924708	28	28

NUMERICAL INDEX OF PARTS

PART NO	PAGE	REF NO.	PART NO	PAGE	REF NO.	PART NO	PAGE	REF NO.
22927206	48	5	22945414	2	36	40003729	2	8
22927255	48	4	22945604	2	37	40003730	2	10
22927305	32	15	22945703	2	39	40003736	2	14
22927404	32	16	22945802	2	40	40003741	46	43
22927602	32	17	22948400	20	24	40003742	2	21
22928303	32	9	22948558	20	25	40003745	4	48
22928402	32	8	22949101	20	28	40003754	36	26
22928501	32	2	22950703	20	32	40003762	6	1
22928709	32	14	22950950	8	41	40003763	6	2
22928808	32	6	22951552	4	61	40003764	6	3
22928907	32	4	22956205	46	13	40003771	8	1
22929004	32	5	22958300	46	10	40003786	16	1
22930309	34	14	22958557	38	38	40003794	16	2
22930358	34	1	22958557	46	32	40003796	16	4
22930408	34	10	22958805	38	40	40003797	16	5
22930507	34	9	22958805	46	33	40003799	16	6
22930705	34	7	22962005	4	58	40003800	16	7
22930804	34	5	22963409	2	38	40003801	16	8
22930903	34	4	22963458	2	35	40003802	16	9
22931000	34	3	22991400	10	27	40003803	16	10
22931109	34	2	23533904	16	32	40003804	16	11
22931208	34	15	23534019	16	33	40003822	10	2
22931307	34	11	23534506	18	58	40003824	10	8
22931406	34	8	23542418	20	43	40003829	10	9
22932453	48	36	23609209	10	12	40003832	10	10
22932552	48	27	23612609	14	21	40003837	12	65
22932800	46	7	23612807	14	19	40003840	10	16
22932800	48	24	23612906	14	20	40003841	10	18
22933006	46	11	23614308	22	50	40003842	10	17
22933105	46	9	23626005	4	51	40003844	10	26
22933105	48	26	23626062	4	50	40003846	10	42
22933204	46	8	23628803	28	41	40003855	14	1
22933204	48	25	23628902	28	42	40003860	14	2
22933303	46	2	23629801	28	40	40003861	14	3~9
22933402	32	23	23630007	28	33	40003862	14	3~9
22933501	32	21	26226407	12	91	40003863	14	3~9
22933659	32	22	30020200	12	89	40003864	14	3~9
22933907	32	25	30021000	12	71	40003865	14	3~9
22934004	32	26	40000212	18	72	40003866	14	3~9
22934251	48	35	40003717	2	1	40003867	14	3~9
22937965	6	39	40003719	4	65	40003868	14	14
22940506	16	14	40003720	4	66	40003869	14	11
22944508	12	59	40003721	4	67	40003870	14	16
22944607	12	53	40003723	4	68	40003872	14	26
22945307	4	54	40003725	2	6	40003873	14	44

NUMERICAL INDEX OF PARTS

PART NO	PAGE	REF NO.	PART NO	PAGE	REF NO.	PART NO	PAGE	REF NO.
40003875	14	32	40004013	24	1	40004482	42	32
40003876	14	34	40004014	24	2	40006323	46	44
40003878	14	35	40004015	24	3	40008253	4	75
40003880	14	40	40004017	24	4	40008396	4	74
40003892	8	21	40004018	24	5	40008971	46	46
40003894	8	24	40004025	26	28	40014007	10	3
40003895	8	28	40004026	26	17	40014191	4	73
40003896	8	31	40004028	26	20	40016206	54	57
40003898	8	34	40004029	26	21	40016240	6	34
40003901	8	36	40004030	26	22	40016341	30	56
40003908	6	26	40004033	26	23	40016547	2	12
40003909	6	28	40004034	26	24	40017346	38	36
40003916	20	1	40004041	36	1	40017346	48	23
40003917	20	2	40004042	36	2	40017347	38	39
40003919	20	3	40004045	36	22	40019704	48	3
40003920	20	4	40004046	52	26	40021794	8	25
40003921	20	5	40004055	46	27	40021795	8	26
40003924	20	12	40004056	46	28	40021796	8	27
40003926	20	14	40004058	32	31	40024644	28	6
40003928	20	19	40004059	46	30	40033334	36	14
40003933	20	18	40004060	46	31	40038942	32	20
40003935	20	20	40004065	46	16	40068692	12	67
40003938	20	21	40004073	52	25	40068693	12	64
40003941	20	22	40004081	52	2	40068694	12	68
40003943	8	38	40004085	52	13	40068696	12	69
40003944	8	39	40004086	52	14	40068698	12	73
40003956	2	42	40004403	48	2	40068699	12	74
40003957	2	46	40004405	48	7	40068700	12	77
40003964	10	46	40004408	48	8	40068701	12	79
40003968	12	48	40004410	48	16	40068703	12	81
40003969	12	61	40004411	48	17	40068704	12	83
40003970	12	63	40004412	48	18	40068705	12	82
40003980	28	1	40004413	48	30	40068706	14	22
40003981	28	9	40004417	48	37	40068707	14	24
40003983	28	10	40004418	48	38	40068708	46	23
40003985	4	64	40004419	48	39	40068709	46	25
40003988	28	30	40004420	48	40	40068710	54	50
40003989	28	31	40004477	38	1	40068711	54	64
40003992	18	69	40004477	42	2	40068712	54	52
40003993	18	70	40004478	42	1	40068713	54	54
40003995	18	73	40004480	38	46	40068714	14	28
40003996	28	43	40004480	44	57	40068715	14	29
40004000	28	45	40004481	38	34	40068716	14	31
40004002	28	47	40004481	42	34	40068717	14	38
40004005	30	53	40004482	38	32	40068719	14	42

NUMERICAL INDEX OF PARTS

PART NO	PAGE	REF NO.	PART NO	PAGE	REF NO.	PART NO	PAGE	REF NO.
40068720	12	85	B1226552000	6	42	BT0400251EC	36	17
40068721	26	4	B13050120A0	8	5	BT0400251ED	36	18
40068722	26	6	B13061550A0	8	7	BT0400251EE	36	19
40068722	52	38	B13061550C0	8	4	BT0400251EF	36	20
40068723	26	7	B13071550A0	8	9	BT0600401EB	36	9
40068723	52	39	B13081550A0	8	11	BT0600402EA	28	12
40068724	26	10	B1411552000	8	17	CM300200001	2	18
40068724	52	42	B14115520A0	8	16	CM301300001	2	17
40068725	26	11	B1412352A00	16	35~38	CQ202000000	28	39
40068725	52	43	B1412352B00	16	35~38	CS0640611SP	10	36
40068726	54	49	B1412352C00	16	35~38	CS064061ASP	10	35
40068727	52	29	B1412352D00	16	35~38	CS0640860SH	26	12
40068728	52	30	B1414555000	8	19	CS0640866SB	52	44
40068729	52	31	B1521555000	10	41	CS079101ASH	8	22
40068731	52	36	B1903552000	6	29	CS100101DSH	14	17
40068732	2	2	B1905541A00	6	30~33	CS1201012SH	16	43
40068733	4	71	B1905541B00	6	30~33	CS120101BSH	16	42
40068734	54	56	B1905541C00	6	30~33	D2112555B00	22	52
40068735	12	66	B1905541D00	6	30~33	D7114555D00	42	40
40068737	12	70	B2906415000	16	34	D7117555BA0	42	38
40068738	52	32	B31334150A0	12	57	D8113555B00	38	28
40068739	26	15	B3136415000	12	58	D8113555B00	42	55
40068739	52	47	B3506245000	28	4	D8113555B00	44	55
40068740	12	86	B3508512000	30	54	D8115555B00	38	27
40068743	26	2	B3510246000	30	51	D8115555B00	42	27
40068744	26	3	B3536122000	28	34	D8204555D00	38	45
40068744	52	35	B3536122000	52	20	D8204555D00	44	67
40068745	26	1	B3538112000	30	49	D9103555D00	46	3
40068746	52	33	B412352200A	16	39~41	E8760452H00	22	51
40068747	52	34	B412352200B	16	39~41	EA9500B0100	20	55
40068750	12	90	B412352200C	16	39~41	EA9500B0100	22	55
40070268	52	17	B81085550A0	38	15	EA9500B0100	36	25
40070354	52	16	B81085550A0	42	15	G181687500D	8	30
40070355	52	1	B812101900A	38	3	G181687500E	8	29
40073223	6	22	B812101900A	42	3	G181687500G	8	32
40075070	28	46	B8125012000	38	35	G1817875000	8	33
40075393	28	44	B8125012000	42	35	G1817875000	46	4
40106080	20	45	B813201900A	38	33	GAK01003A00	48	9
40106208	52	28	B813201900A	42	33	GAK33027000	10	32
40106931	20	40	B8153771000	44	49	GAK330400A0	10	23
40109085	12	80	B8228125000	28	5	GAK33060000	18	75
40156276	8	43	B9117552A00	54	59	GAK840900A0	46	17
B1212552A00	6	21	BT0400251EA	36	16	GAKA18600A0	46	6
B1213552000A	6	41	BT0400251EB	36	21	GCL03009000	36	23
B1215552000	6	43	BT0400251EB	52	24	GPF06060000	42	47

NUMERICAL INDEX OF PARTS

PART NO	PAGE	REF NO.	PART NO	PAGE	REF NO.	PART NO	PAGE	REF NO.
GPF06070000	44	48	PS0300122KH	16	46	SK3413201SE	46	22
GPF06080000	42	46	PV0351580A0	36	4	SK3452001SE	48	1
HK034610020	22	54	PV150103000	52	27	SK3512001SE	32	30
M40071100AA	6	12	PX055103000	36	5	SK3512001SE	36	15
M40071100AB	6	13	PX500014000	36	8	SL4030851SF	28	25
MAT80116S00	10	1	RE0300000K0	12	51	SL4051001MZ	6	40
MAT80230T00	46	18	RE0400000K0	20	36	SL4051291SC	2	7
MAT80231T00	46	19	RE0500000K0	10	21	SL4051691SC	52	37
MC230501400	8	20	RE0500000K0	16	47	SL6043592TN	36	11
MC230501402	46	5	RE0500000K0	20	39	SL6051092TN	36	12
MDFRX1600C0	46	1	RE0600000K0	20	37	SL9061291SE	38	24
MTJVH00500A	46	45	RE0700000K0	10	31	SL9061291SE	42	54
MTSP0100000A	46	41	RE0800000K0	20	16	SL9061291SE	44	54
MTSP01000B0	46	40	RE1000000K0	48	47	SL9082091SE	38	20
NM6030001SB	20	44	RO029180100	6	35	SL9082091SE	42	51
NM6040000SN	20	41	RO037180100	10	39	SL9082091SE	44	51
NM6040002SN	26	14	RO037180100	28	11	SM4040601SC	20	46
NM6040002SN	52	46	RO044240100	6	7	SM4050655SP	26	5
NM6050001SD	48	46	RO078190100	14	12	SM4050855SP	52	18
NM6050001SE	34	17	RO098240100	28	3	SM4051405SE	34	12
NM6060001SE	42	43	RO137230100	18	48	SM6030600SP	12	72
NM6060001SE	48	10	RO195240100	28	29	SM6030802TP	4	72
NM6060003SE	38	43	SB306350100	12	87	SM6040450TP	12	84
NM6060003SE	46	36	SB306350100	14	33	SM6040502TP	26	9
NM6080001SE	38	37	SB309000400	18	49	SM6040502TP	52	41
NM6080001SE	42	52	SD0400191TP	20	13	SM6040802TP	26	8
NM6080001SE	44	52	SD0490261SP	32	11	SM6040802TP	52	40
NM6080001SE	46	37	SD0500131TP	20	7	SM6040860TP	12	78
NM6080721SE	42	45	SD0640261SP	12	49	SM6050802TP	14	25
NM6120003SE	38	16	SD0640321TP	20	23	SM6050802TP	46	26
NM6120003SE	42	16	SD0720331SP	10	25	SM6050802TP	54	55
NM6160511SE	34	18	SD0800321TH	18	50	SM6051602TP	14	27
NS6110350SP	48	32	SD0800352SP	10	28	SM6051602TP	16	3
NS6150310SP	10	29	SD0800402TP	48	21	SM6051602TP	48	43
NS6150310SP	16	45	SD0901101SP	10	44	SM6053002TN	26	25
NS6150310SP	22	49	SD1000451TP	48	49	SM6061610SC	34	6
NS6150430SP	20	33	SD1000451TP	50	49	SM6082502TP	28	8
NS6150430SP	48	20	SD1000701TP	10	43	SM8040412TP	14	43
NS6620310SP	10	47	SD1202101TP	48	13	SM8050412TP	14	45
PC012401000	52	22	SE4301041SR	28	18	SM8050412TP	54	63
PF0552070B0	36	3	SK3311600SE	40	55	SM8050602TP	54	62
PJ025100002	36	10	SK3311600SE	44	66	SM80506A2TP	12	88
PJ046528001	36	13	SK3382001SC	40	52	SM8053002TP	48	45
PJ304065101	36	6	SK3382001SC	44	63	SM8060602TP	14	30
PJ304065201	36	7	SK3412001SE	52	15	SM9061203SE	38	4

NUMERICAL INDEX OF PARTS

PART NO	PAGE	REF NO.	PART NO	PAGE	REF NO.	PART NO	PAGE	REF NO.
SM9061203SE	42	36	SS6110420TP	8	23	SS8660530TP	6	25
SM9081423SE	42	44	SS6110610TP	2	45	SS8660530TP	14	18
SM9081620SE	38	44	SS6110610TP	14	41	SS8660610TP	6	9
SM9081620SE	46	38	SS6110670TP	2	5	SS8660610TP	10	7
SM9086503SM	38	6	SS6110710TP	14	15	SS8660612TP	6	6
SM9086503SM	42	6	SS6111210SP	6	15	SS8660810TP	6	23
SQ1150501SD	28	13	SS6121030SN	26	16	SS8660810TP	8	12
SS1060210TP	4	69	SS6121220TP	16	27	SS8681412TP	6	5
SS1110821TP	18	51	SS6121860SP	18	68	SS9120643TP	14	37
SS1120710SP	18	74	SS6151220SP	46	20	SS9182010SN	48	44
SS2060210SP	20	9	SS6660610TP	8	40	ST4040821SS	28	7
SS2110920TP	2	4	SS6700710SH	28	2	ST9053511SR	38	47
SS4080620TP	20	10	SS7060310SP	4	70	ST9053511SR	44	58
SS4110515SP	32	3	SS7080510TP	8	44	TA0750404R0	4	77
SS4110615SP	52	21	SS7080510TP	24	6	TA0850604R0	2	25
SS4110715SP	12	56	SS7081310SP	32	12	TA1050504R0	2	78
SS4110715SP	18	52	SS7090610SP	20	35	TA1050504R0	4	78
SS4110715SP	20	38	SS7090620TP	10	37	TA1250504R0	2	31
SS4110715SP	28	55	SS7090850SP	12	75	TA1250705R0	2	24
SS4110715SP	30	55	SS7090910TP	18	60	TA1470704R0	2	32
SS4110715SP	32	29	SS7091110TP	18	61	TA1701002R0	4	76
SS4120415SP	26	26	SS7110350SP	32	7	TA2100904R0	2	33
SS4120615SP	2	62	SS7110410SP	48	14	TA2101002R0	2	27
SS4120615SP	4	62	SS7110710SP	20	11	TA2351004R0	2	34
SS4120615SP	12	60	SS7110740TP	12	62	WP0370316SD	18	66
SS4120615SP	22	53	SS7111410SP	46	21	WP0450000SD	20	42
SS4120615SP	28	35	SS7121410TP	10	33	WP0450801SD	6	16
SS4120615SP	36	24	SS7121410TP	20	15	WP0501016SD	24	9
SS4120915SP	2	15	SS7681650TP	6	4	WP0501016SD	32	28
SS4120915SP	8	37	SS8090670SP	4	59	WP0550800SP	52	6
SS4120915SP	18	53	SS8110320SP	52	45	WP0621016SH	20	34
SS4120915SP	24	8	SS8110510SP	26	13	WP0650876SD	10	22
SS4121415SP	32	27	SS8110510SP	32	13	WP0650876SD	26	19
SS4150915SP	22	56	SS8110520TP	8	42	WP0651056SD	52	19
SS4150915SP	26	27	SS8110520TP	10	5	WP0671016SE	38	42
SS4150915SP	28	26	SS8111251SP	10	11	WP0671016SE	42	42
SS4151215SP	18	54	SS8150710TP	18	63	WP0820516SP	48	22
SS6080340SP	18	76	SS8151150TP	4	60	WP0820526SD	46	39
SS6090510TP	18	71	SS8151150TP	6	37	WP0871602SE	38	22
SS6090520SP	30	48	SS8151150TP	14	13	WP0871602SE	42	53
SS6090520SP	46	29	SS8151150TP	18	64	WP0871602SE	44	53
SS6090620TP	18	57	SS8151550SP	6	14	WP1020616SD	24	7
SS6090660TP	18	55	SS8151550SP	48	6	WP1021016SD	10	30
SS6090670TP	8	18	SS8153010SR	18	65	WP1302501SE	38	17
SS6090670TP	18	56	SS8660410SP	16	44	WP1302501SE	42	17

NUMERICAL INDEX OF PARTS

PART NO	PAGE	REF NO.
WP1612616SE	34	19
WP1751616SD	18	67
WS0510002KN	34	16
WS0861410KR	38	7
WS0861410KR	42	7
WS1002560KR	46	42
WS1253010KN	38	18
WS1253010KN	42	18
WS1643202KR	34	20
WT0530002KS	4	63