

MODEL : DDL-9000C-F

List No : 1696-05

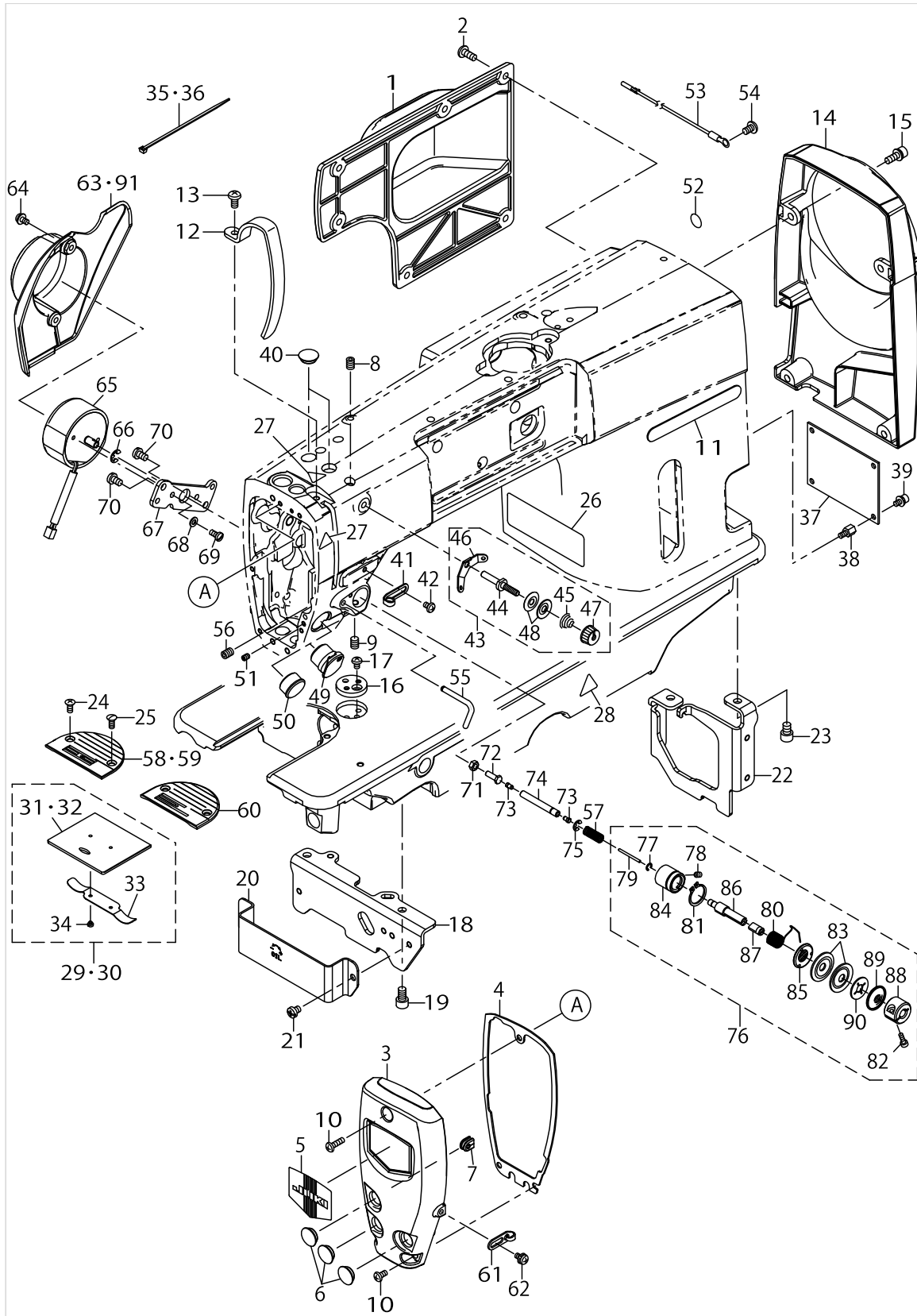
PARTS LIST

Published:02/15/2019

CONTENTS

MACHINE FRAME & MISCELLANEOUS COVER COMPONENTS	1
BOBBIN WINDER COMPONENTS.....	5
MAIN SHAFT & NEEDLE BAR COMPONENTS.....	7
HAND LIFTER COMPONENTS.....	11
FEED ADJUST MECHANISM COMPONENTS	15
VERTICAL FEED COMPONENTS	19
HOOK DRIVING COMPONENTS.....	23
THREAD TRIMMER COMPONENTS	25
OIL LUBRICATION COMPONENTS	31
AUTOMATIC REVERSE FEED COMPONENTS.....	35
OPERATION PANEL COMPONENTS	37
THREAD STAND COMPONENTS.....	39
UNDER COVER COMPONENTS	41
ACCESSORIE PART COMPONENTS.....	43
EXCLUSIVE PARTS DDL-9000C-FDS.....	45
EXCLUSIVE PARTS DDL-9000C-FSH.....	47
THREAD HOLDER & AIR COMPONENTS (FOR PBN).....	49
WIPER COMPONENTS (FOR PBN).....	51
THREAD HAUL COMPONENTS (FOR PBN).....	53
TABLE & STAND COMPONENTS.....	55
SPECIAL ORDER PARTS	57
LIST FOR INFORMATION OF CHANGE.....	59
HOW TO MAKE USE OF THIS PARTS LIST	60

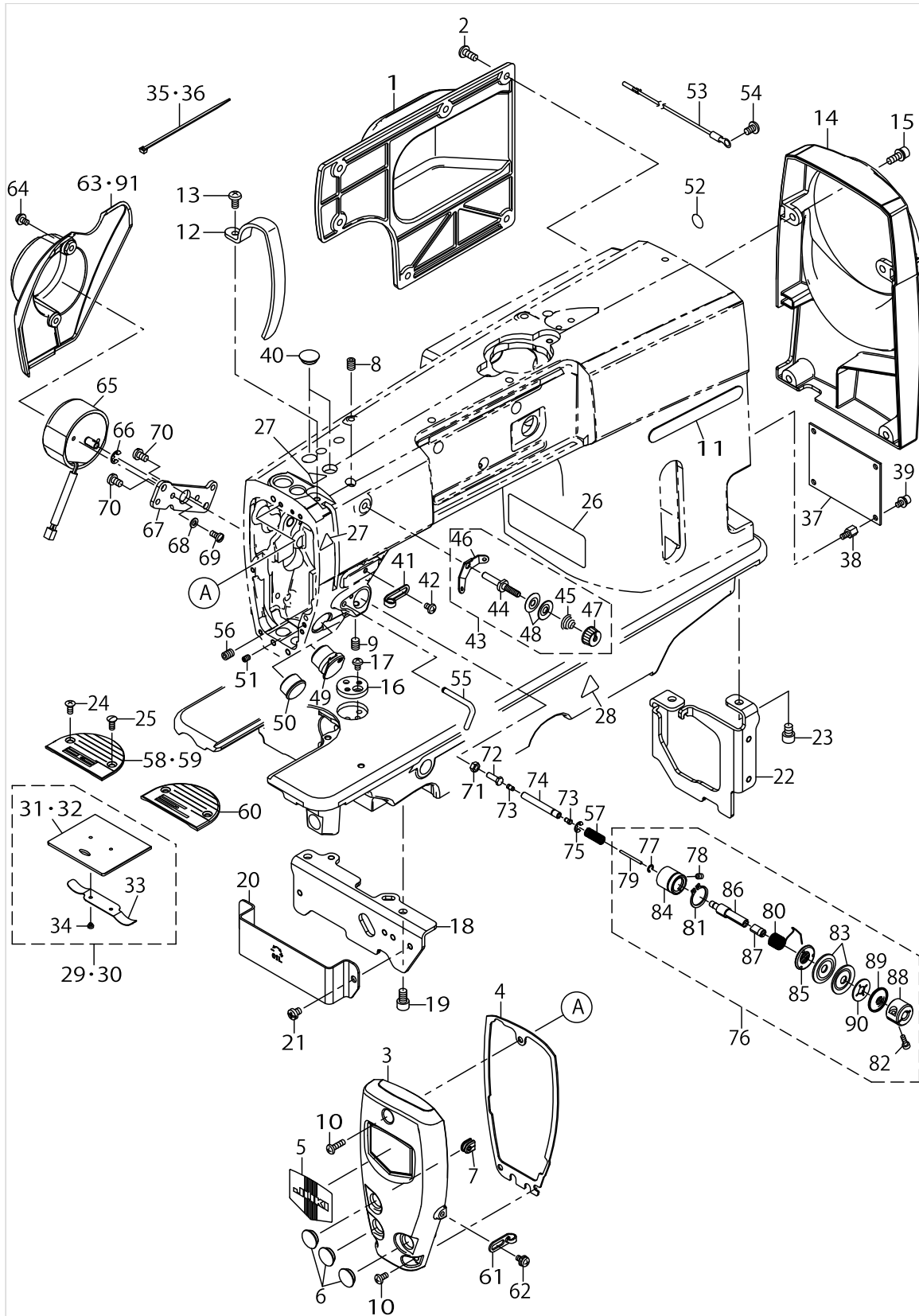
MACHINE FRAME & MISCELLANEOUS COVER COMPONENTS



MACHINE FRAME & MISCELLANEOUS COVER COMPONENTS

No.	Parts No.	Parts name	Remarks	Level	Cons	Qty
1	40172364	AK_COVER				1
2	SM4051255SP	SCREW M5 L=12				6
3	40172371	FACE_COVER				1
4	40172373	FACE_COVER_PACKING				1
5	40172374	FACE_COVER_PLATE				1
6	TA1250406R0	RUBBER PLUG D=12.5 L=4				3
7	40139753	CORD_CLAMP_RUBBER				1
8	SM80608A2TP	SCREW M6 L=8				1
9	SM80608A2TP	SCREW M6 L=8				1
10	SM4041455SN	SCREW M4 L=14				3
11	40172375	EMBLEM_JUKI_SMART_SOLUTIONS				1
12	40172376	THREAD_TAKE_UP_COVER				1
13	SM4051055SP	SCREW				1
14	40172366	PULLEY_COVER				1
15	SL6051492TN	BOLT				4
16	40035589	RULER PLATE				1
17	SM4040855SP	SCREW				1
18	40172391	BED_BRACKET_A				1
19	SM6060802TP	SCREW M6 L=8				2
20	40174305	SAFETY_GUIDE				1
21	SM4050855SP	SCREW				2
22	40172392	BED_BRACKET_B				1
23	SM6060802TP	SCREW M6 L=8				2
24	SM2040955TP	SCREW M4 L=8.5			☆	1
25	SM2040750TP	SCREW M4 L=7.4			☆	1
26	40102261	SAFETY_LABEL_S				1
27	CM300200001	FINGER INJURY CAUTION LABLE (16)				2
28	CM300200003	FINGER INJURY CAUTION LABLE (31.5)				1
29	40172369	SLIDE_PLATE_B_ASM				1
30	40172367	SLIDE_PLATE_A_ASM	FOR S_EE			1
31	40172370	SLIDE_PLATE_B		*		1
32	40172368	SLIDE_PLATE_A		*		1
33	22901300	SLIDE PLATE SPRING		*		1
34	SS6060210SP	SCREW 3/32-56 L=1.9		*		2
35	KX000000230	RELEASIBLE CABLE TIE				1
36	EA9500B0100	CABLE BAND				7
37	40172390	INT PCB ASSY				1
38	40188608	SPACER				4
39	SL6040892TN	BOLT				4
40	TA1250406R0	RUBBER PLUG D=12.5 L=4				2
41	23626104	ARM THREAD GUIDE A				1
42	SM5040655SN	SCREW				1
43	22963458	THREAD TENSION ASM.				1
44	22945414	THREAD TENSION POST		*		1
45	22963409	THREAD TENSION SPRING		*		1
46	22945604	THREAD TENSION GUIDE		*		1
47	22945703	THREAD TENSION NUT		*		1

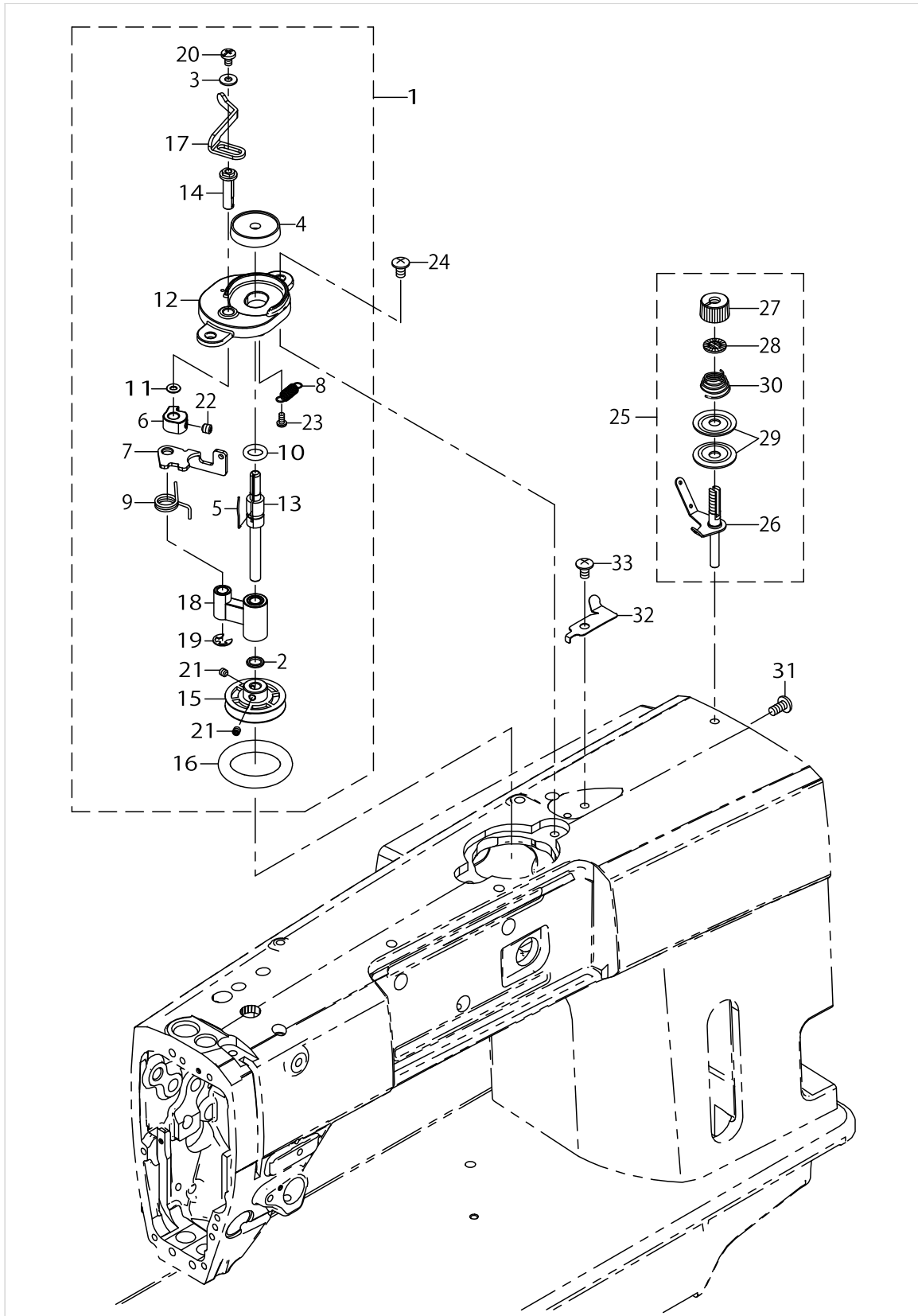
MACHINE FRAME & MISCELLANEOUS COVER COMPONENTS



MACHINE FRAME & MISCELLANEOUS COVER COMPONENTS

No.	Parts No.	Parts name	Remarks	Level	Cons	Qty
48	22945802	THREAD TENSION DISK		*		2
49	40174373	THREAD NIPPER SOLENOID	FOR NB			1
50	40174392	ARM_CAP	FOR 0B			1
51	SM8040612TP	SCREW M4 L=6				1
52	22901805	GROUND MARK				1
53	40174385	GROUND WIRE ASM.				1
54	SM4050655SP	SCREW M5 L=6				1
55	40052933	ARM THREAD GUIDE C				1
56	SM80608A2TP	SCREW M6 L=8				1
57	22920409	THREAD RELEASE PIN SPRING				1
58	40182291	THROAT_PLATE_G	FOR S_GG			1
59	B1109012I0B	THROAT PLATE (I)	FOR S_AA			1
60	11028008	THROAT PLATE	FOR S_EE			1
61	40009037	TAKE-UP THREAD GUIDE				1
62	SL4040881SC	SCREW M4 L=8				1
63	40172384	AT_COVER				1
64	SL4041281SC	SCREW M4X0.7 L=12				2
65	40174350	AT_SOLENOID_A				1
66	RE0500000K0	E-RING				1
67	40172476	AT_SOLENOID_FITTING_PLATE				1
68	WP0410846SC	WASHER				2
69	SM7040800SL	SCREW				2
70	SM4050855SP	SCREW				2
71	NM6040000SN	NUT M4				1
72	40174311	SCREW				1
73	26201004	PIN GUIDE				2
74	40172475	THREAD_TENSION_SHAFT				1
75	RE0400000K0	E-RING 4				1
76	40172470	THREAD_TENSION_ASM.				1
77	RC0410415KP	C-RING		*		1
78	SM8040612TP	SCREW M4 L=6		*		1
79	B3118552H00	THREAD RELEASE PIN		*		1
80	22921605	THREAD TAKE-UP SPRING		*	☆	1
81	RC1700001KP	C-RING		*		1
82	SM6031002TN	SCREW M3 L=10		*		1
83	22921506	THREAD TENSION DISK		*		2
84	40174313	TENSION_POST_BASE_ASM		*		1
85	40126724	TENSION_DISC HOLDER		*		1
86	40172472	AT_SHAFT		*		1
87	40172473	DISK_STOPPER HOLDER_CAP_PIN		*		1
88	40172474	DISK_STOPPER HOLDER_CAP		*		1
89	B3132012000	TENSION DISC HOLDER		*		1
90	40174312	THREAD_TENSION_DISK_RUBBER		*	☆	1
91	40189533	AT COVER ADD	FOR PBN			1

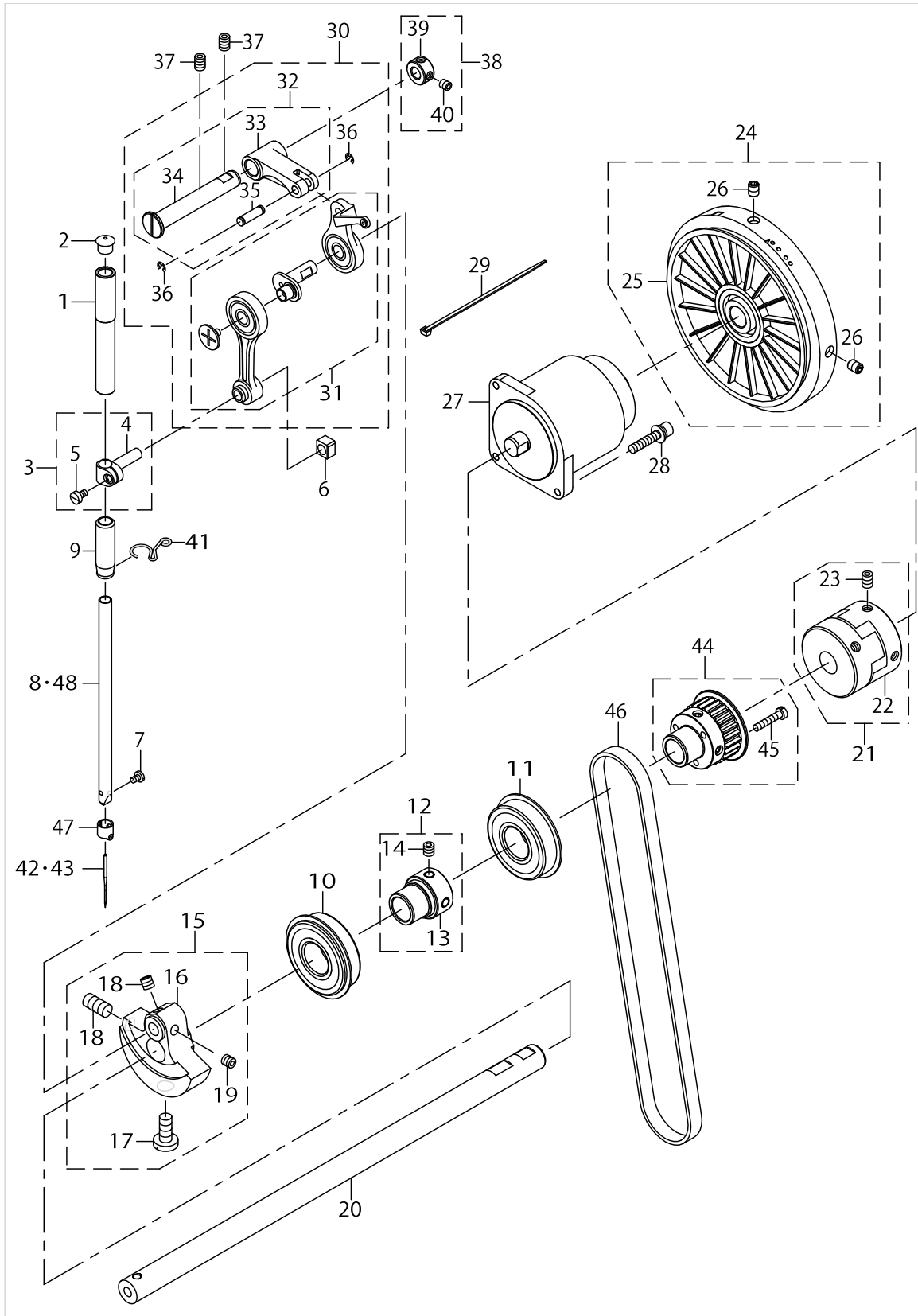
BOBBIN WINDER COMPONENTS



BOBBIN WINDER COMPONENTS

No.	Parts No.	Parts name	Remarks	Level	Cons	Qty
1	40191107	BOBBIN_WINDER_UNIT_N				1
2	22891204	BEARING SUPPORT		*		1
3	40166870	WASHER		*		1
4	40166872	BOBBIN_SUPPORT		*		1
5	40166881	BOBBIN_FIXED_SPRING		*		1
6	40166885	BOBBIN_PRESSER_CAM		*		1
7	40166886	BOBBIN_WINDER_LEVER		*		1
8	40166887	BOBBIN_WINDER_LEVER_SPRING		*		1
9	40166888	SPRING		*		1
10	40166893	STOPPER_RUBBER		*		1
11	40166894	O_RING		*		1
12	40191108	BTW_BASE_N		*	☆	1
13	40191109	BOBBIN_WINDER_SHAFT_N		*	☆	1
14	40191111	BOBBIN_WINDER_ARM_SHAFT_N		*		1
15	40191113	BOBBIN_WINDER_WHEEL_N		*		1
16	40191114	BTW_WHEEL_RUBBER_N		*		1
17	40191115	BOBBIN_PRESSER_N		*		1
18	40191116	BOBBIN_WINDER_SUPPORT_N_ASM		*		1
19	RE0500000K0	E-RING		*		1
20	SM5040655SN	SCREW		*		1
21	SM8040412TP	SET SCREW M4 L=4		*		2
22	SM8050502TP	SCREW M5 L=5		*		1
23	ST4030651SN	SCREW M3 X 6		*		1
24	SM0050801SC	SCREW				2
25	40088958	BOBBIN THREAD TENSION ASM.				1
26	40088959	BOBBIN THREAD TENSION ROD ASM.		*		1
27	22921308	THREAD TENSION NUT		*		1
28	22921407	ROTATION STOPPER		*		1
29	22921506	THREAD TENSION DISK		*		2
30	22921704	THREAD TENSION SPRING		*		1
31	SM4051055SP	SCREW				1
32	40037008	THREAD_CUTTER				1
33	SM0050801SC	SCREW				1

MAIN SHAFT & NEEDLE BAR COMPONENTS



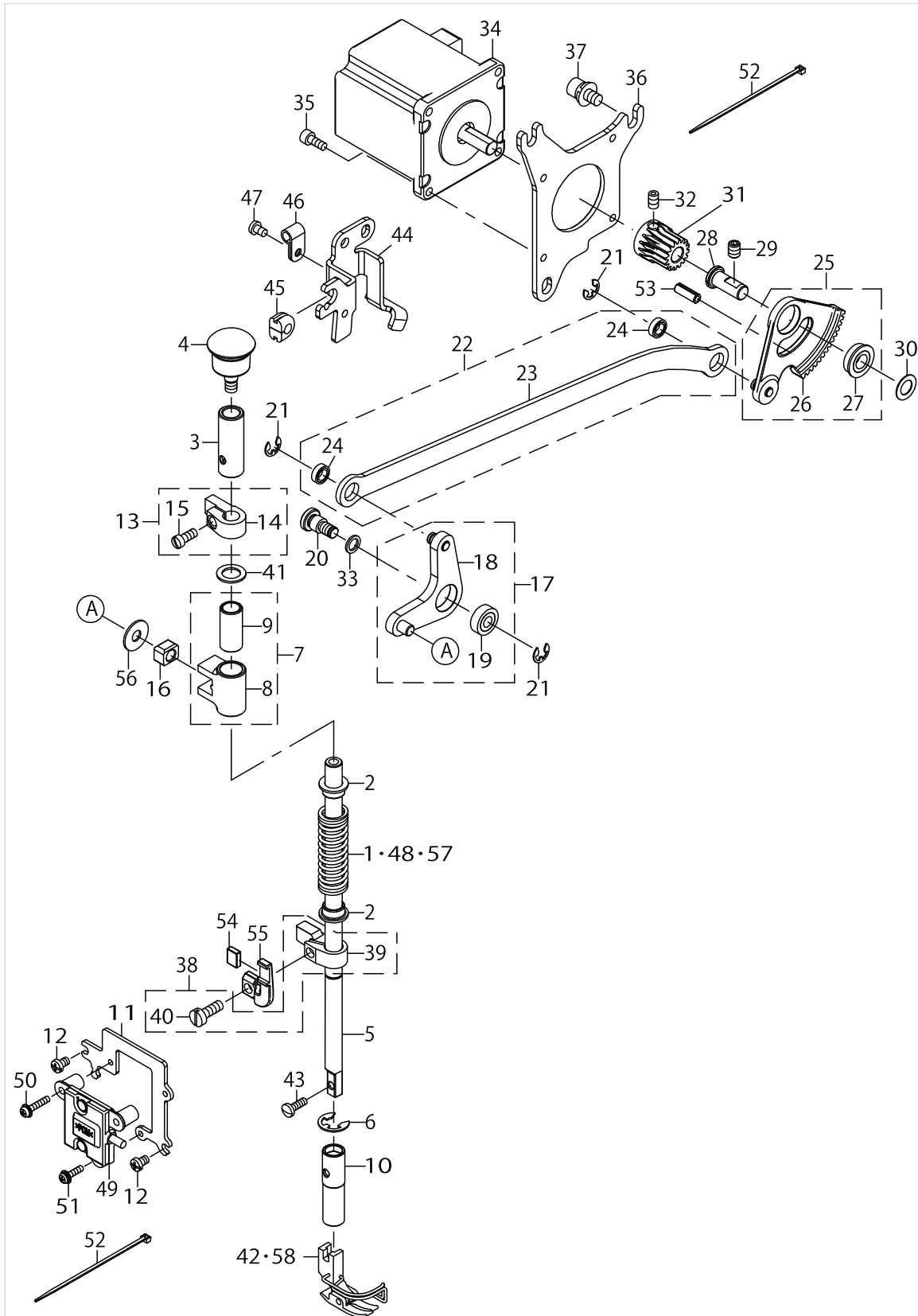
MAIN SHAFT & NEEDLE BAR COMPONENTS

No.	Parts No.	Parts name	Remarks	Level	Cons	Qty
1	40172399	NEEDLE_BAR_BUSHING_UPPER				1
2	22901409	NEEDLE BAR UPPER BUSH CAP				1
3	22906457	NEEDLE BAR HOLDER ASM.				1
4	22906408	NEEDLE ROD HOLDER		*		1
5	SS6090670TP	SCREW 9/64-40 L=6		*		1
6	40090058	SLIDE BLOCK				1
7	SS7080510TP	SCREW 1/8-44 L=4.5			☆	1
8	40086602	NEEDLE_BAR_D_(A)	FOR GG/EE/AA			1
9	40086605	NEEDLE_BAR_LOWER_METAL_MD				1
10	SB120002700	BEARING				1
11	SB120002700	BEARING				1
12	40044857	FRONT BEARING SUPPORT ASM.				1
13	23605207	MAIN SHAFT BEARING SUPPORT		*		1
14	SM80608A2TP	SCREW M6 L=8		*		2
15	40135904	ASSY_COUNTER WEIGHT				1
16	40135916	COUNTER WEIGHT		*		1
17	40004171	COUNTER_WEIGHT_SCREW		*		1
18	SM8081652TP	SCREW M8 L=16		*		1
19	SM80606A2TP	SCREW M6 L=6		*		2
20	40086597	MAIN_SHAFT				1
21	40172398	COUPLING_ASM.				1
22	40172393	COUPLING		*		1
23	SM80608A2TP	SCREW M6 L=8		*		4
24	40172418	HAND_WHEEL_ASM.				1
25	40172377	HAND_WHEEL		*		1
26	SM80608A2TP	SCREW M6 L=8		*		2
27	40172146	AC_SERVO_MOTOR				1
28	SL6052592TN	BOLT				3
29	EA9500B0100	CABLE BAND				2
30	40174341	THREAD_TAKE_UP_COMP.				1
31	40135905	THREAD_TAKE_UP_ASM_C		*		1
32	40174342	TAKE_UP_CRANK_ASM.		*		1
33	40174343	TAKE_UP_CRANK		*		1
34	40174344	TAKE_UP_CRANK_SHAFT		*		1
35	40135907	THREAD_TAKE_UP_PIN		*		1
36	RE0300000K0	E-RING 3		*		2
37	SM80608A2TP	SCREW M6 L=8				2
38	40032269	THRUST COLLAR				1
39	CS1000881TP	THRUST COLLAR		*		1
40	SM80506A2TP	SCREW M5 L=6		*		2
41	40174349	NEEDLE BAR THREAD GUIDE				1
42	MDB100B1100	NEEDLE DBX1 #11			☆	1
43	MDB100B1400	NEEDLE DBX1 #14	FOR S_GG		☆	1
44	40141440	UPPER SPROCKET ASM.				1
45	SM6042000SP	SCREW		*		3
46	40149791	TIMING_BELT				1
47	22906309	NEEDLE BAR THREAD GUIDE				1

MAIN SHAFT & NEEDLE BAR COMPONENTS

No.	Parts No.	Parts name	Remarks	Level	Cons	Qty
48	40086604	NEEDLE_BAR_D_(B)	FOR BB			1

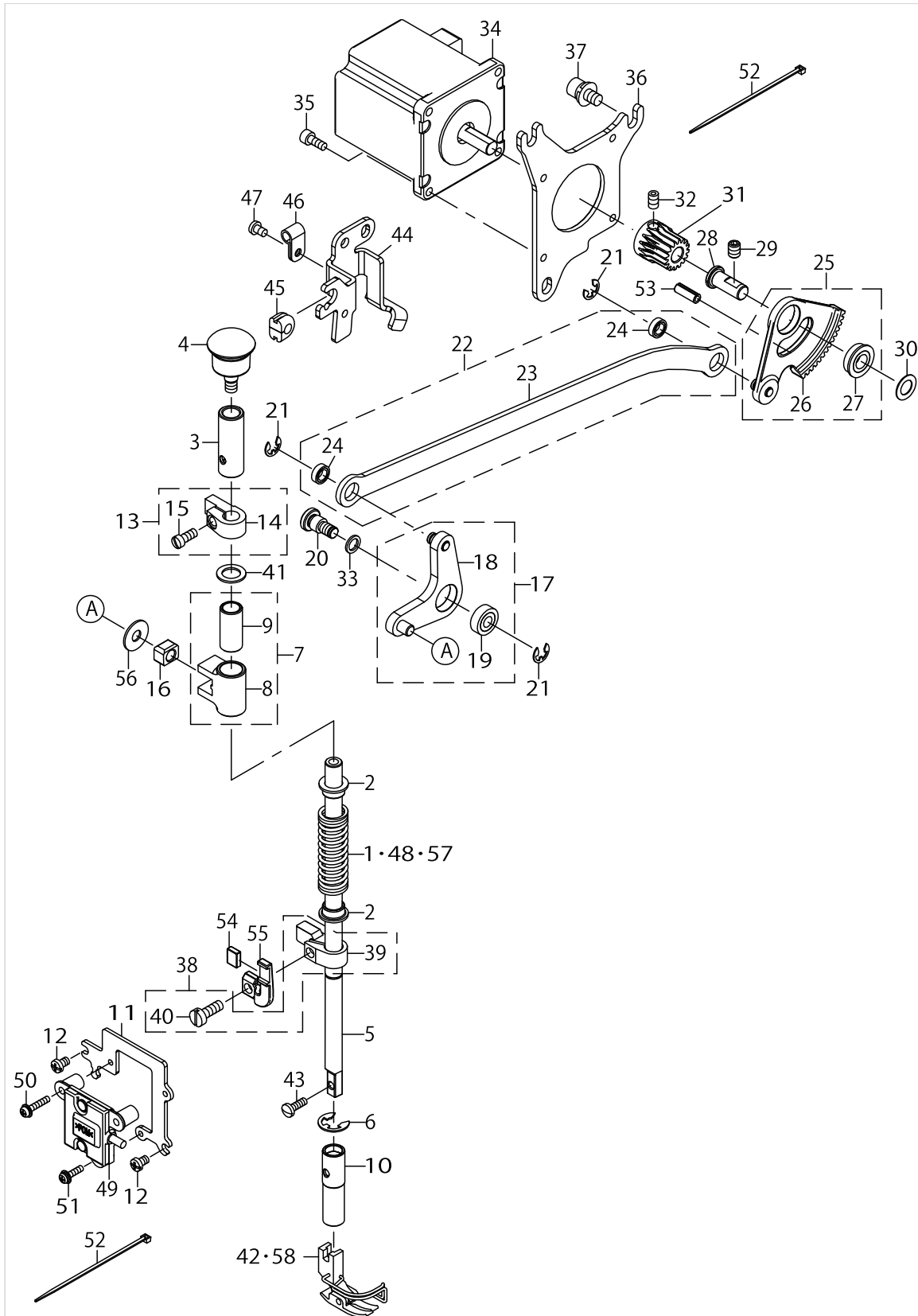
HAND LIFTER COMPONENTS



HAND LIFTER COMPONENTS

No.	Parts No.	Parts name	Remarks	Level	Cons	Qty
1	40172404	PRESSER_SPRING_S	FOR DDL-9000C-FMS			1
2	40172407	SPRING_GUIDE				2
3	40172408	BUSH_A				1
4	40172389	CAP				1
5	40172409	PRESSER_BAR				1
6	RE0800000K0	E-SHAPED SNAP RING (8MM)				1
7	40172410	PRESSER_GUIDE_BOSS_ASM				1
8	40172411	PRESSER_GUIDE_BOSS		*		1
9	40172412	BUSH_C		*		1
10	40172413	BUSH_B				1
11	40172465	CLOTH_PRESSER_SENSOR_ASM_BASE				1
12	SM4040655SP	SCREW M4 L=6				2
13	40070531	PRESSER_BAR_CONNECTION_ASM.				1
14	26302901	PRESSER BAR HOLDER		*		1
15	SS7111110TP	SCREW 11/64-40 L=10.5		*		1
16	40141757	SQUARE_BLOCK				1
17	40172425	ASSY_PRESSER_LINK_B				1
18	40174309	ASSY_PRESSER_LINK_B_A		*		1
19	SB106000400	BEARING		*		1
20	40172428	PRESSER_LINK_SCREW				1
21	RE0500000K0	E-RING				3
22	40172429	PRESSER_LINK_A_ASM				1
23	40174384	PRESSER_LINK_A		*		1
24	SB106000500	BEARING		*		2
25	40174574	PRESSER_GEAR_ASM				1
26	40174308	PRESSER_GEAR_ASM_A		*		1
27	SB108000200	BEARING		*		1
28	40174295	PRESSER_LEVER_SHAFT_FD				1
29	SM80608A2TP	SCREW M6 L=8				1
30	WP0820526SD	WASHER 8.2X14X0.5				1
31	40172463	MOTOR_GEAR				1
32	SM80508A2TP	SCREW M5 L=8				2
33	WP0661016SP	WASHER				1
34	40168923	PRESSER MOTOR				1
35	SM6041002TP	SCREW M4X0.7 L=10				4
36	40172466	MOTOR_BASE				1
37	SL6061292TN	SCREW M6 L=12				3
38	40086606	PRESSER_BAR_GUIDE_BRACKET_ASM.				1
39	40086607	PRESSER_BAR_GUIDE_BRACKET		*		1
40	SM6051400SP	SCREW		*		1
41	WP0951016SP	WASHER 9.53X15X1				1
42	B15240120BA	PRESSER FOOT ASM.				1
43	SS7091110TP	SCREW 9/64-40 L=10.5			☆	1
44	40174573	CABLE_CLAMP_PLATE				1
45	GPK26023000	BUSH A				1
46	HX00150000A	CABLE CLAMP				1
47	SM4040601SC	SCREW M4X0.7 L=6				1

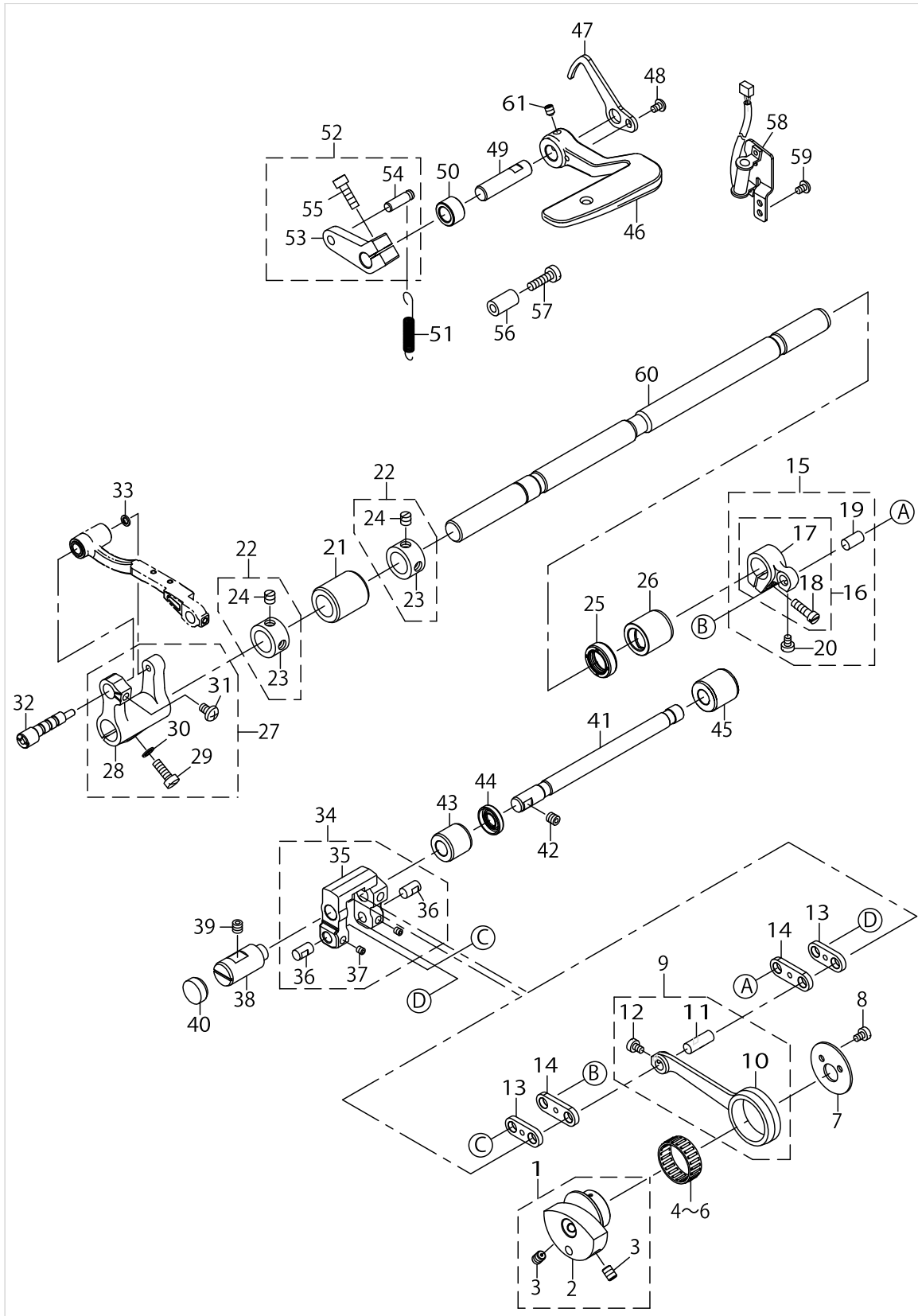
HAND LIFTER COMPONENTS



HAND LIFTER COMPONENTS

No.	Parts No.	Parts name	Remarks	Level	Cons	Qty
48	40172405	PRESSER_SPRING_H	FOR DDL-9000C-FSH			1
49	40172464	CLOTH_PRESSER_SENSOR_ASM.				1
50	SL4031691SC	SCREW M3 L=16				2
51	SL4031291SC	SCREW M3X12				1
52	EA9500B0100	CABLE BAND				1
53	PS0500142KP	SPRING PIN				1
54	40172415	MAGNET				1
55	40172424	MAGNET_HOLDER				1
56	WP0621036SP	WASHER				1
57	40199666	PRESSER_SPRING_A	OPTIONAL PARTS			1
58	40070134	PRESSER FOOT ASM	FOR PBN			1

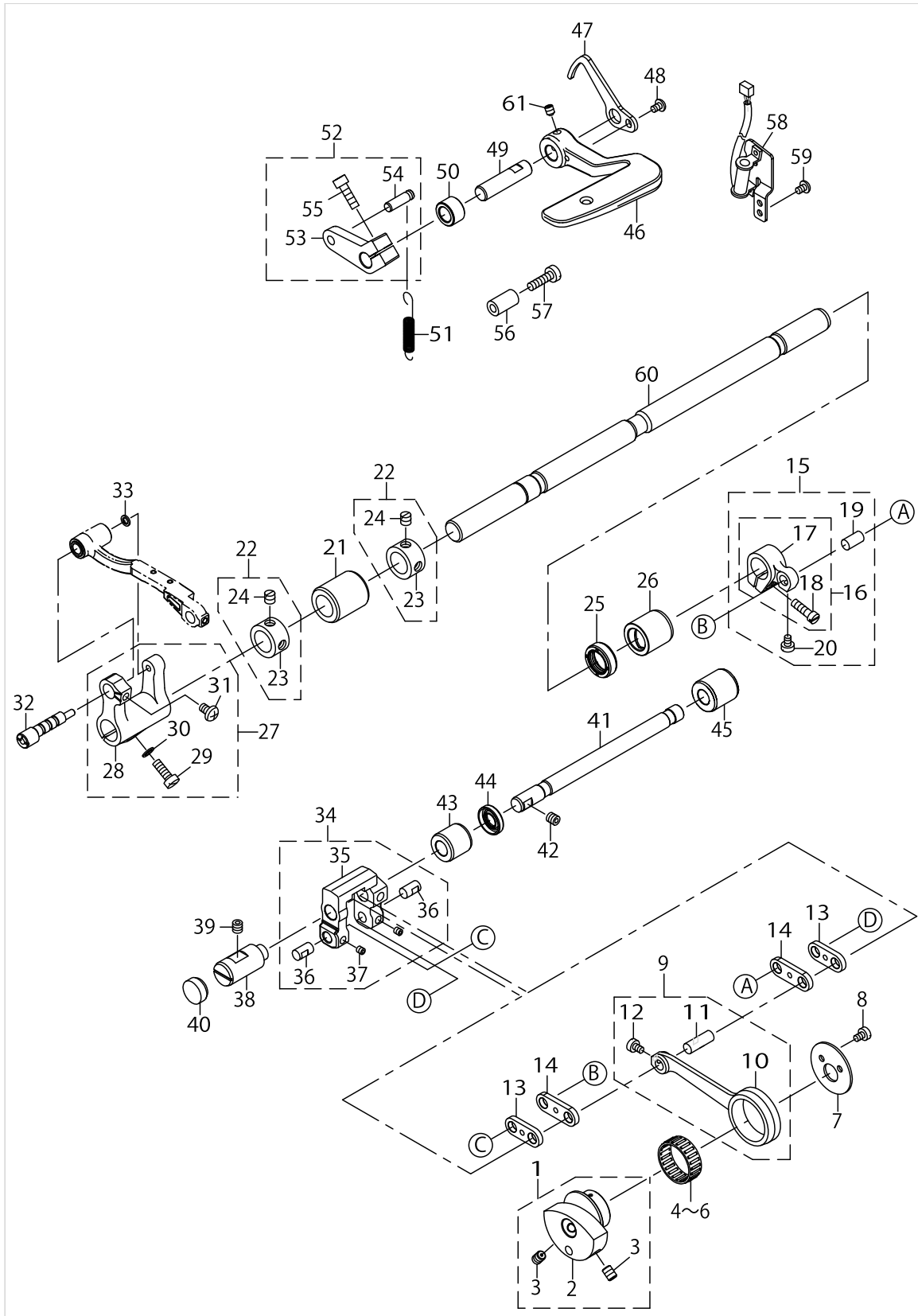
FEED ADJUST MECHANISM COMPONENTS



FEED ADJUST MECHANISM COMPONENTS

No.	Parts No.	Parts name	Remarks	Level	Cons	Qty
1	40174296	ASSY_FEED_ROCKER_CAM				1
2	40174297	FEED_ROCKER_CAM		*		1
3	SS8150822TP	SCREW 15/64-28 L=8		*		2
4	B412352200A	NEEDLE BEARING				1
5	B412352200B	NEEDLE ROLLAR				1
6	B412352200C	NEEDLE ROLLAR				1
7	40174298	FEED_ROCKER_CAM_TOP				1
8	SS6090670TP	SCREW 9/64-40 L=6				2
9	40037365	FEED ROCKER ROD ASM.				1
10	40026277	FEED ROCKER ROD		*		1
11	22911101	WALKING FOOT PIN C		*		1
12	SS6090620TP	SCREW		*		1
13	40174300	FEED_CONNECTING_LINK_A				2
14	40174302	FEED_CONNECTING_LINK_B				2
15	40061246	FEED ROCKER ARM ALL ASM.				1
16	40058504	FEED ROCKER ARM ASM.		*		1
17	40042079	FEED ROCKER ARM		*		1
18	SS6121610SP	SCREW 3/16-28 L=15.5		*		1
19	22911002	WALKING FOOT PIN B		*		1
20	SS6090620TP	SCREW		*		1
21	23616709	FEED ROCKER SHAFT METAL				1
22	22904155	MAIN SHAFT THRUST COLLAR ASM.				2
23	22904106	MAIN SHAFT THRUST COLLAR		*		1
24	SS8660610TP	SCREW 1/4-40 L=6		*		2
25	40172134	FEED_ROCKER_DUST_SEAL				1
26	40174299	FEED_ROCKER_REAR_METAL				1
27	40037005	ASSY_FEED_ROCKER_BASE_ARM				1
28	40026281	FEED ROCKER BASE ARM		*		1
29	SM6051400SP	SCREW		*		1
30	WP0531000SD	WASHER M5		*		1
31	SM4050855SP	SCREW		*		1
32	40026282	FEED ROCKER BASE SHAFT				1
33	10523702	WASHER				1
34	40086735	ADJUSTING LINK ASM.				1
35	40086695	FEED_ADJUSTING_LINK		*		1
36	40086696	FEED_ADJUSTING_LINK_PIN		*		2
37	SM80506A2TP	SCREW M5 L=6		*		2
38	40172467	ADJUSTING_LINK_FULCRUM_SHAFT				1
39	SM80606A2TP	SCREW M6 L=6				1
40	40086736	RUBBER PLUG				1
41	40172460	FEED_CHANGING_SHAFT				1
42	SM80606A2TP	SCREW M6 L=6				1
43	40172508	FEED_CHANGING_SHAFT_METAL_A				1
44	40172138	FEED_CHANGING_DUST_SEAL				1
45	40086616	FEED_CHANGING_SHAFT_METAL_B				1
46	40172378	REVERSE_FEED_LEVER				1
47	40174291	FEED_CONTROL_SENSOR_PLATE				1

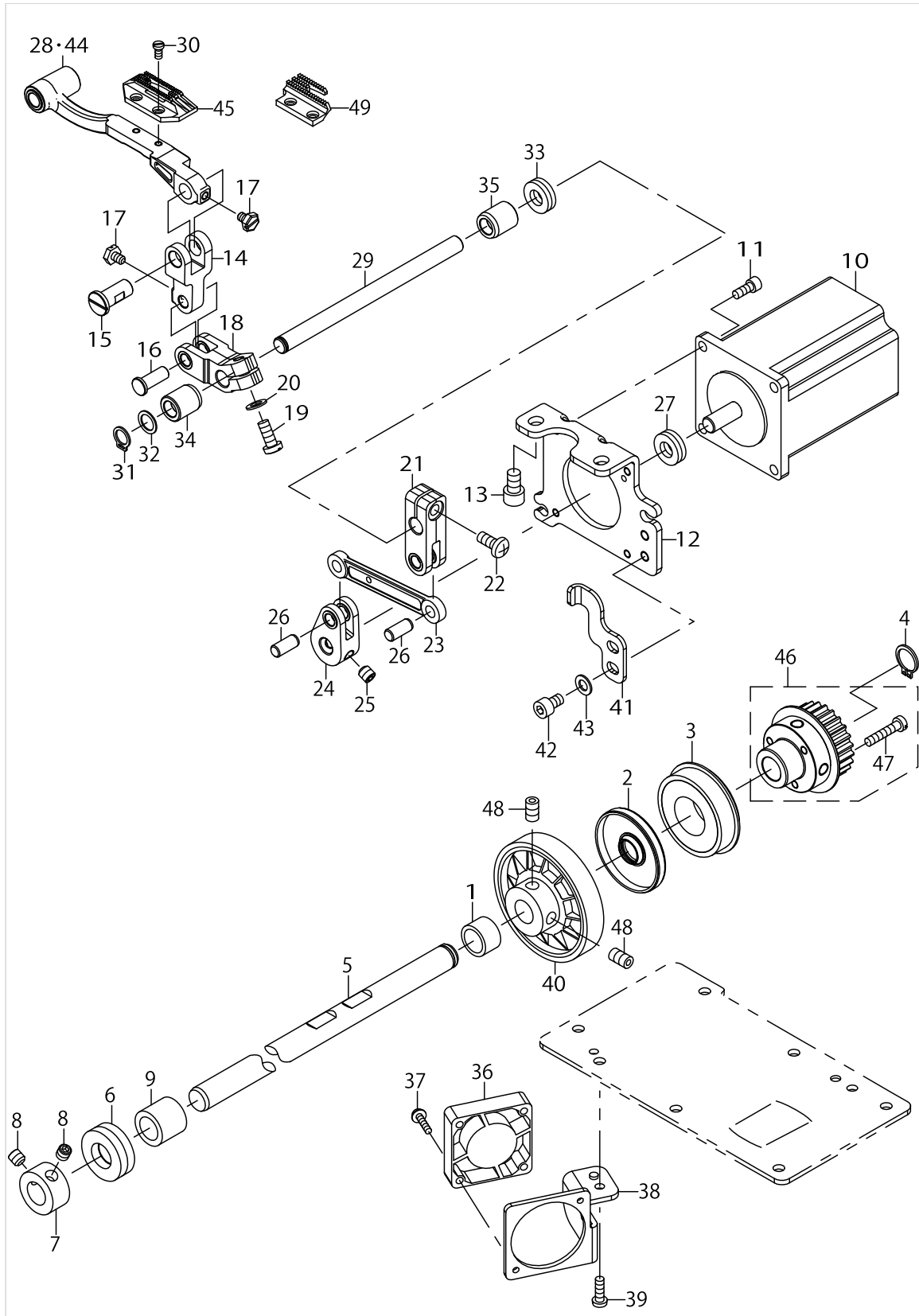
FEED ADJUST MECHANISM COMPONENTS



FEED ADJUST MECHANISM COMPONENTS

No.	Parts No.	Parts name	Remarks	Level	Cons	Qty
48	SM4040655SP	SCREW M4 L=6				1
49	40172509	FEED_LEVER_SHAFT				1
50	40172510	FEED_LEVER_SHAFT_METAL				1
51	B2431215000	THREAD TRIMMER LINK SPRING				2
52	40174293	ASSY_FEED_LEVER_ARM				1
53	40174294	FEED_LEVER_ARM		*		1
54	22912307	PIN		*		1
55	SM6051602TP	SCREW M5X0.8 L=16		*		1
56	22952501	BACK LEVER STOPPER				2
57	SM6051850TP	SCREW M5 L=18				2
58	40174405	FEED_CONTROL_SENSOR_BASE_ASM				1
59	SM4040655SP	SCREW M4 L=6				2
60	40174317	FEED_ROCKER_SHAFT				1
61	SM8050612TP	SCREW M5X6				2

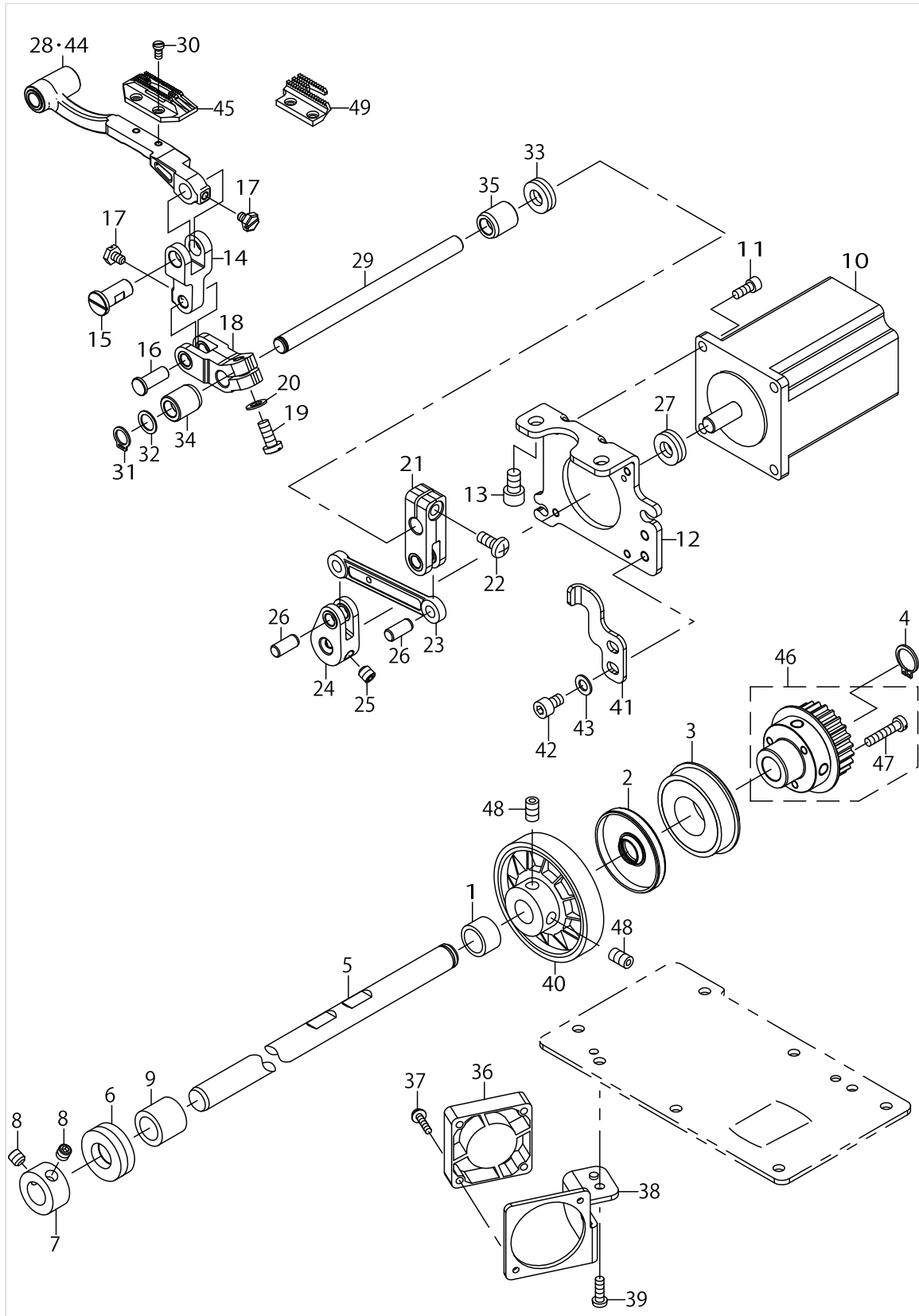
VERTICAL FEED COMPONENTS



VERTICAL FEED COMPONENTS

No.	Parts No.	Parts name	Remarks	Level	Cons	Qty
1	40174590	LOWER_SHAFT_METAL				1
2	40172137	LOWER_SHAFT_REAR_DUST_SEAL				1
3	SB120001800	BEARING				1
4	RC1200001KP	C-SHAPED SNAP RING				1
5	40174321	LOWER_SHAFT				1
6	SB412000100	BEARING				1
7	CS1201171TP	THRUST COLLAR D=12 W=11				1
8	SM80606A2TP	SCREW M6 L=6				2
9	40174325	BEARING				1
10	40168922	VERTICAL FEED MOTOR				1
11	SM6041002TP	SCREW M4X0.7 L=10				4
12	40172455	VERTICAL_MOTOR_BASE				1
13	SM6061002TP	SCREW M6 L=10				2
14	40172443	FEED_BASE_DRIVING_LINK				1
15	40174581	FEED_PIN_A				1
16	40174582	FEED_PIN_B				1
17	SM9040650TP	SCREW M4 L=6				2
18	40172444	FEED_LINK_ARM_A_COMPL				1
19	SM4051255SP	SCREW M5 L=12				1
20	WP0550800SP	WASHER 5.5X10X0.8				1
21	40172446	FEED_LINK_ARM_B_COMPL				1
22	SM4051255SP	SCREW M5 L=12				2
23	40172454	FEED_CONNECT_LINK				1
24	40172448	FEED_MOTOR_LINK_COMPL				1
25	SM8480652TP	SCREW				2
26	13319405	MAIN FEED ROCKER PIN				2
27	SB408000100	BEARING				1
28	40172440	FEED_BASE_COMPL				1
29	40172453	FEED_LINK_SHAFT				1
30	SS4080620TP	SCREW 1/8-44 L=6			☆	2
31	RC0740811KP	C-RING				1
32	WP0820516SP	WASHER 11.6X8.2X0.6				1
33	SB408000100	BEARING				1
34	40172451	FEED_LINK_METAL				1
35	40172452	FEED_LINK_METAL_B				1
36	40191349	FAN MOTOR ASSY				1
37	SL4031491SC	SCREW M3X14				2
38	40172461	FAN_PLATE				1
39	SM4041255SP	SCREW M4 L=12				1
40	40174334	GEAR_LARGE				1
41	40172439	FEED_BASE_STOPPER				1
42	SM6050802TP	SCREW M5X0.8 L=8				2
43	WP0550800SP	WASHER 5.5X10X0.8				2
44	40174396	FEED_BASE_COMPL_H	DDL-9000C-FSH ONLY			1
45	B1613012I00	FEED DOG I	FOR AA,BB,GG			1
46	40174577	UNDER_SPROCKET_ASM.				1
47	SM6042000SP	SCREW		*		3

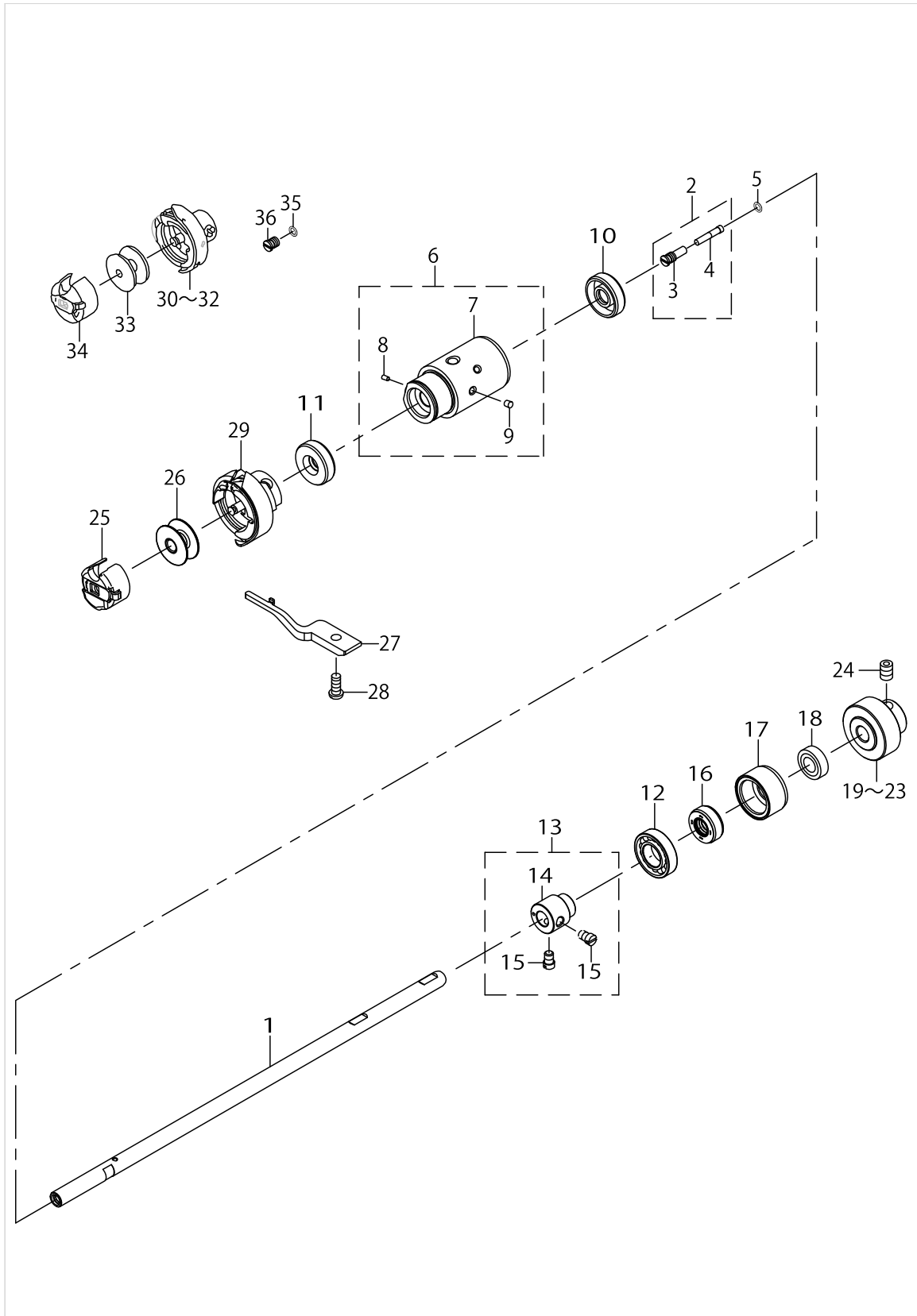
VERTICAL FEED COMPONENTS



VERTICAL FEED COMPONENTS

No.	Parts No.	Parts name	Remarks	Level	Cons	Qty
48	SM80608A2TP	SCREW M6 L=8				2
49	23614506	FEED DOG A	FOR EE			1

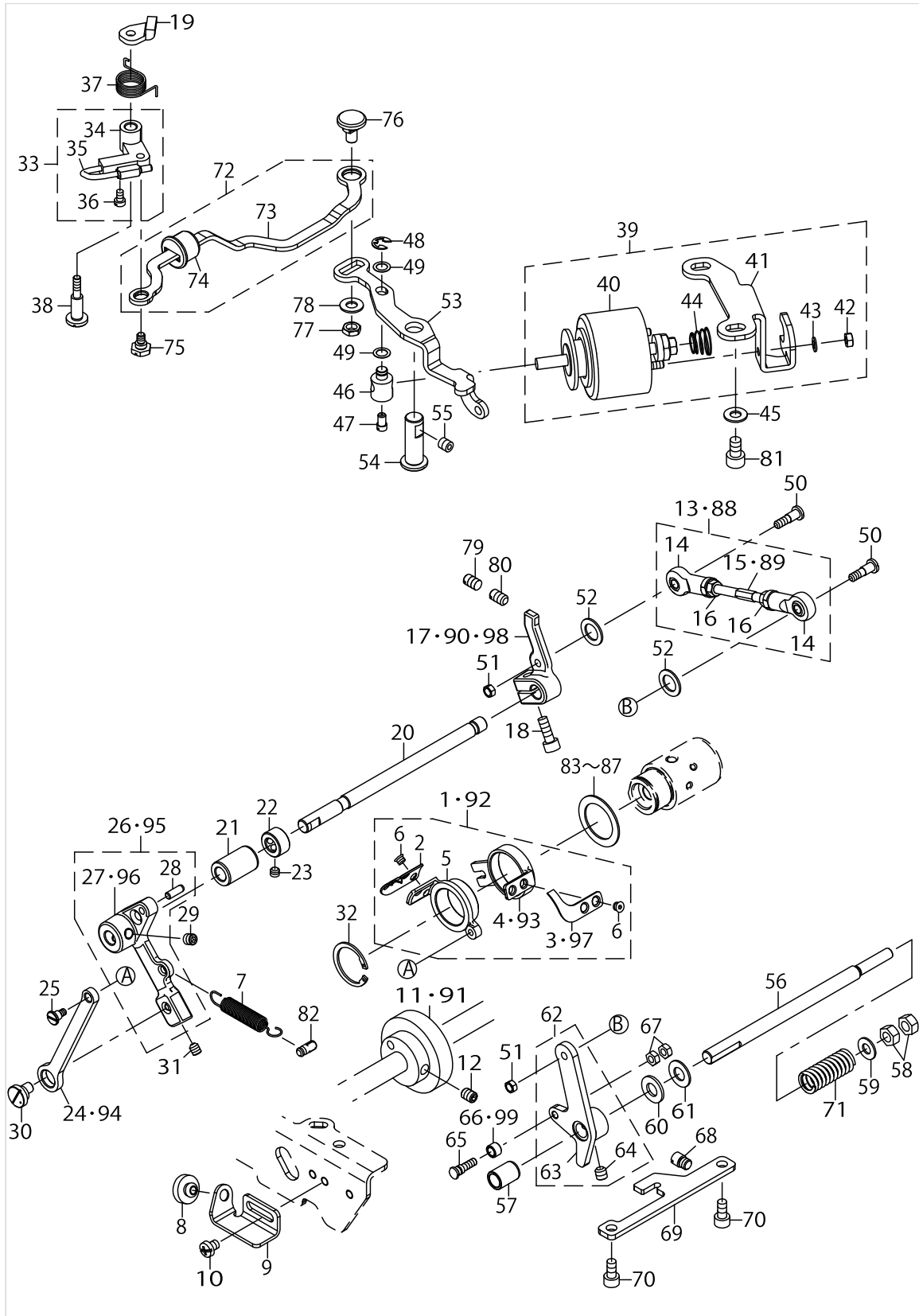
HOOK DRIVING COMPONENTS



HOOK DRIVING COMPONENTS

No.	Parts No.	Parts name	Remarks	Level	Cons	Qty
1	40174328	HOOK_SHAFT				1
2	22916555	OIL SEAL SCREW ASM.			☆	1
3	22916506	SET SCREW		*		1
4	11015906	OIL WICK		*		1
5	RO036080200	RUBBER RING				1
6	40174331	HOOK_SHAFT_METAL_ASM				1
7	40174332	HOOK_SHAFT_METAL		*		1
8	TA0180401M0	NEEDLE COOLER PLUG CAP		*		1
9	TA0290301M0	PLUG		*		1
10	40145927	OIL SEAL				1
11	40010805	OIL SEAL RING				1
12	G1812870000	LOWER SHAFT INNER BEARING				1
13	40086691	HOOK_SHAFT_BEARING_SUPPORT_ASM				1
14	40086692	HOOK_SHAFT_BEARING_SUPPORT		*		1
15	SS6110710TP	SCREW 11/64-40 L=6.5		*		2
16	40172135	HOOK_SHAFT_DUST_SEAL				1
17	40174333	HOOK SHAFT REAR METAL				1
18	SB408000100	BEARING				1
19	40174335	GEAR_SMALL_A	SELECTIVE PARTS			1
20	40174336	GEAR_SMALL_B	SELECTIVE PARTS			1
21	40174337	GEAR_SMALL_C	SELECTIVE PARTS			1
22	40174338	GEAR_SMALL_D	SELECTIVE PARTS			1
23	40174369	GEAR_SMALL_E	SELECTIVE PARTS			1
24	SM80608A2TP	SCREW M6 L=8				2
25	11038759	BOBBIN CASE ASM.			☆	1
26	22964001	BOBBIN A			☆	1
27	40174351	INNER HOOK HOLDER				1
28	SS4111015SP	SCREW 11/64-40 L=10				1
29	11038650	HOOK ASM.			☆	1
30	22890404	RP HOOK C	OPTIONAL PARTS		☆	1
31	22890206	RP HOOK	OPTIONAL PARTS		☆	1
32	22890305	RP HOOK S	OPTIONAL PARTS		☆	1
33	B9117552A00	BOBBIN	OPTIONAL PARTS		☆	1
34	22896252	BOBBIN CASE ASM.	OPTIONAL PARTS		☆	1
35	RO036080200	RUBBER RING	OPTIONAL PARTS			1
36	11079506	FRONT SCREW	OPTIONAL PARTS			1

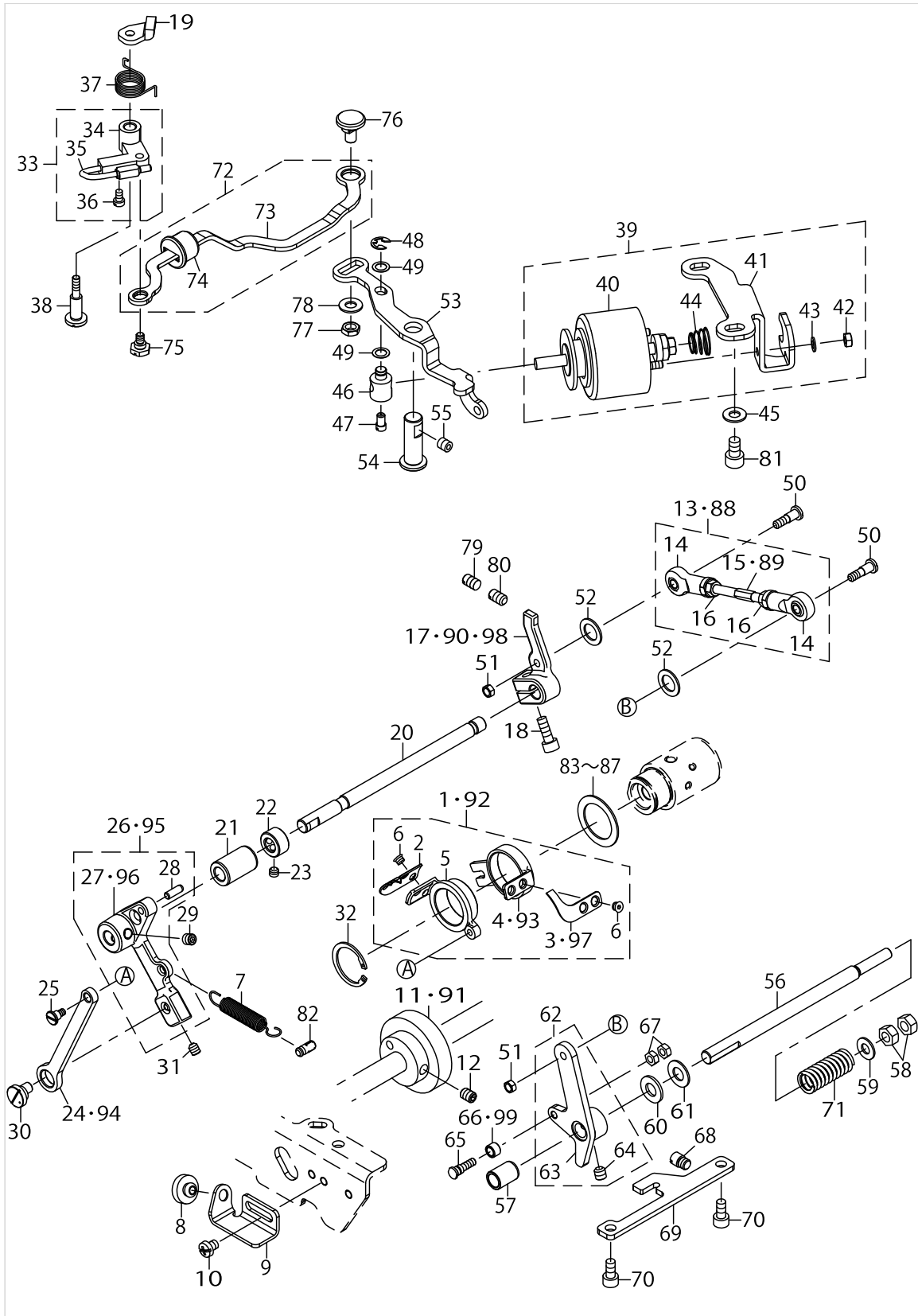
THREAD TRIMMER COMPONENTS



THREAD TRIMMER COMPONENTS

No.	Parts No.	Parts name	Remarks	Level	Cons	Qty
1	40184950	KNIFE_UNIT	DDL-9000C-FSH ONLY			1
2	40172487	HANDLING_DEVICE_KNIFE		*	☆	1
3	40172486	THREAD_TRIMMER_KNIFE		*	☆	1
4	40174318	THREAD_TRIMMER_BASE	DDL-9000C-FSH ONLY	*		1
5	40172489	HANDLING_DEVICE_BASE		*		1
6	11420601	SCREW		*	☆	4
7	40172497	TRIMMER_BACK_SPRING				1
8	B1116210D00	FRAME SUPPORT RUBBER				1
9	40172498	RUBBER_STOPPER_PLATE				1
10	SM4050655SP	SCREW M5 L=6				2
11	40172499	THREAD_TRIMMER_CAM				1
12	SM80608A2TP	SCREW M6 L=8				2
13	40174323	CONNECTING_ROD_ASM_R	DDL-9000C-FSH ONLY			1
14	40136701	ROD_END		*		2
15	40174324	CONNECTING_BAR	DDL-9000C-FSH ONLY	*		1
16	NM6050001SC	NUT M5X0.8 TYPE1		*		2
17	40172500	TRIMMER_MOVING_ARM				1
18	SM6051402TP	SCREW M5X0.8 L=14				1
19	40062168	PICKER SPRING HOOK				1
20	40172481	TRIMMER_MOVING_SHAFT				1
21	40172482	THREAD_TRIMMER_METAL_A				1
22	CS0800881TP	THRUST COLLAR				1
23	SM80506A2TP	SCREW M5 L=6				2
24	40172484	THREAD_TRIMMER_ROD				1
25	SD0500403TP	SCREW				1
26	40172477	THREAD_TRIMMER_ARM_ASM				1
27	40172478	THREAD_TRIMMER_ARM		*		1
28	40172479	THREAD_TRIMMER_ARM_PIN		*		1
29	SM8480652TP	SCREW				2
30	40172480	TRIMMER_ADJUSINGT_PIN				1
31	SM80506A2TP	SCREW M5 L=6				2
32	RC2651218KP	RETAINING RING				1
33	40036998	ASSY_PICKER_ARM				1
34	40061215	PICKER ARM		*		1
35	40036997	ASSY_PICKER		*		1
36	SS6090670TP	SCREW 9/64-40 L=6		*		2
37	40029398	PICKER SPRING				1
38	SD0641456TP	SHOULDER SCREW D=6.35 H=14.5				1
39	40172491	THREAD_TRIMMER_SOLENOID_F_ASM				1
40	40172494	THREAD_TRIMMER_SOLENOID_F		*		1
41	40174583	SOLENOID_INSTALLING_BASE		*		1
42	NM6040001SE	NUT M4		*		2
43	WS0410002KR	SPRING WASHER M4		*		2
44	40174584	SPRING		*		1
45	WP0621016SD	WASHER 6.2X13X1				2
46	40086711	SOLENOID_PIN				1
47	SS6110710TP	SCREW 11/64-40 L=6.5				1

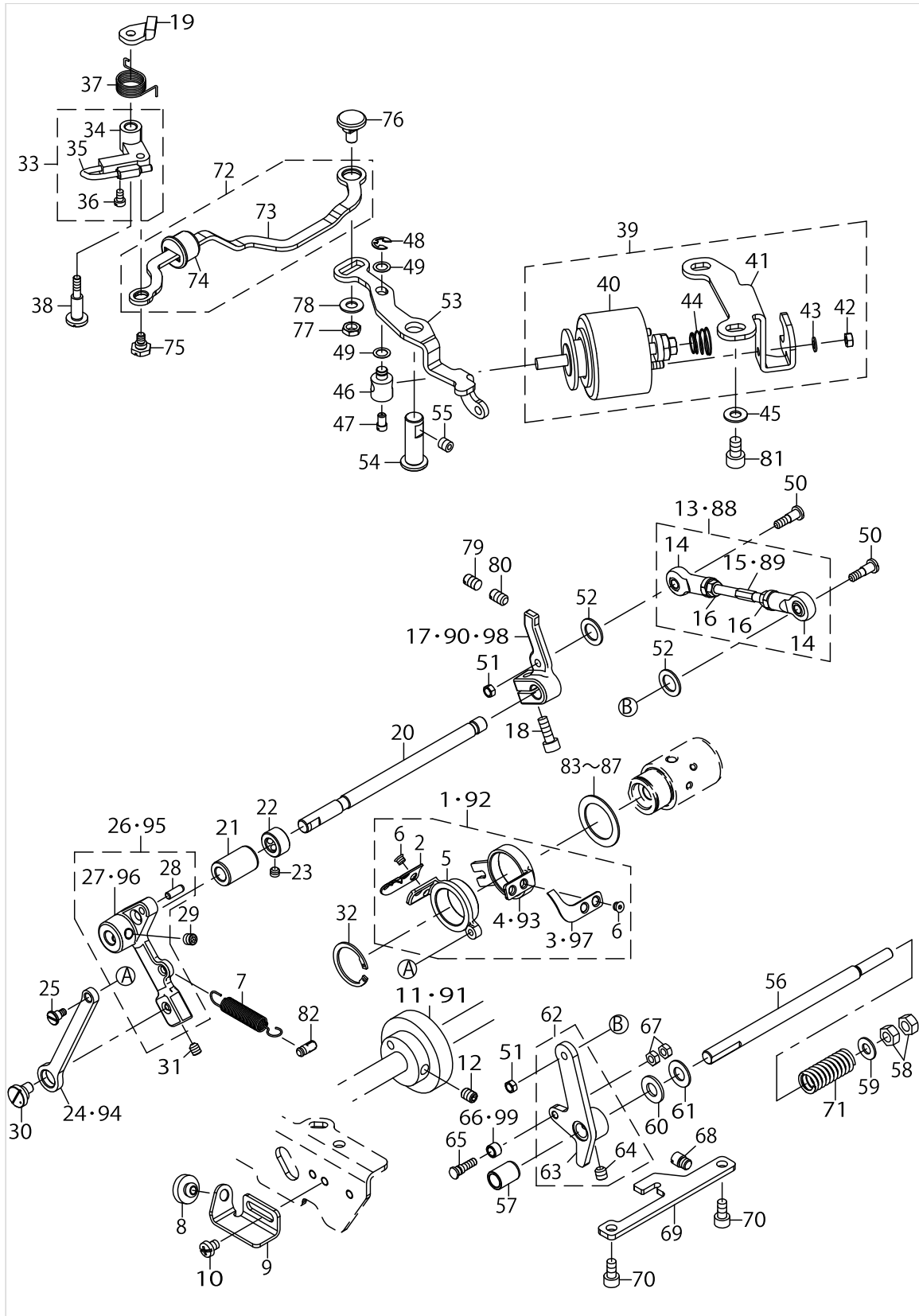
THREAD TRIMMER COMPONENTS



THREAD TRIMMER COMPONENTS

No.	Parts No.	Parts name	Remarks	Level	Cons	Qty
48	RE050000K0	E-RING				1
49	10618304	VERTICAL ROLLER WASHER				2
50	SD0500701TP	SHOULDER SCREW				2
51	NS6110310SP	HEXAGONAL NUT 11/64-40				2
52	40086712	CONNECTING ROD FELT				2
53	40172495	CLUTCH_PLATE				1
54	40086635	CLUTCH_SHAFT				1
55	SM8060812TP	SCREW M6 L=8				1
56	40172496	THREAD_TRIMMER_SHAFT				1
57	40172483	THREAD_TRIMMER_METAL_B				1
58	NM6060001SC	NUT M6X1 TYPE1				2
59	WP0621016SH	WASHER				1
60	B1116804000	CLOTH PLATE WASHER				1
61	40090099	WASHER				1
62	40182053	ASSY_CAM_FOLLOWER				1
63	40181990	CAM_FOLLOWER_ASM.		*		1
64	SM80606A2TP	SCREW M6 L=6		*		2
65	40086748	ROLLER SHAFT				1
66	40015671	CAM_ROLLER	SELECTIVE PARTS			1
67	NM6040001SP	NUT M4X0.7				2
68	40086623	STOPPER_SCREW				1
69	40172490	CAM_FOLLOWER_STOPPER				1
70	SM6050802TP	SCREW M5X0.8 L=8				2
71	40172504	THREAD_TRIMMER_SPRING_D				1
72	40172501	PICKER_LINK_ASM				1
73	40172502	PICKER_LINK		*		1
74	40172503	PICKER_LINK_RUBBER		*		1
75	SD0630275SP	HINGE SCREW D=6.35 H=2.7				1
76	22950000	PICKER LINK PIN				1
77	NS6150310SP	NUT 15/64-28				1
78	WP0621016SH	WASHER				1
79	SM8061050TP	SCREW				1
80	SM8061010TP	SCREW				1
81	SM6061002TP	SCREW M6 L=10				2
82	13738802	SUSPENSION SCREW				1
83	11419504	THRUST COLLAR A	SELECTIVE PARTS			1
84	11419603	THRUST COLLAR B	SELECTIVE PARTS			1
85	11419702	THRUST COLLAR C	SELECTIVE PARTS			1
86	11419801	THRUST COLLAR D	SELECTIVE PARTS			1
87	11419900	THRUST COLLAR E	SELECTIVE PARTS			1
88	40174398	CONNECTING_ROD_ASM_R				1
89	40086709	CONNECTING_BAR		*		1
90	40174315	TRIMMER_MOVING_ARM	DDL-9000C-FSH ONLY			1
91	40174316	THREAD_TRIMMER_CAM	DDL-9000C-FSH ONLY			1
92	40172485	KNIFE_UNIT	EXCEPT DDL-9000C-FSH			1
93	40172488	THREAD_TRIMMER_BASE		*		1
94	40168860	THREAD_TRIMER_ROD	DDL-9000C-FSH ONLY			1

THREAD TRIMMER COMPONENTS



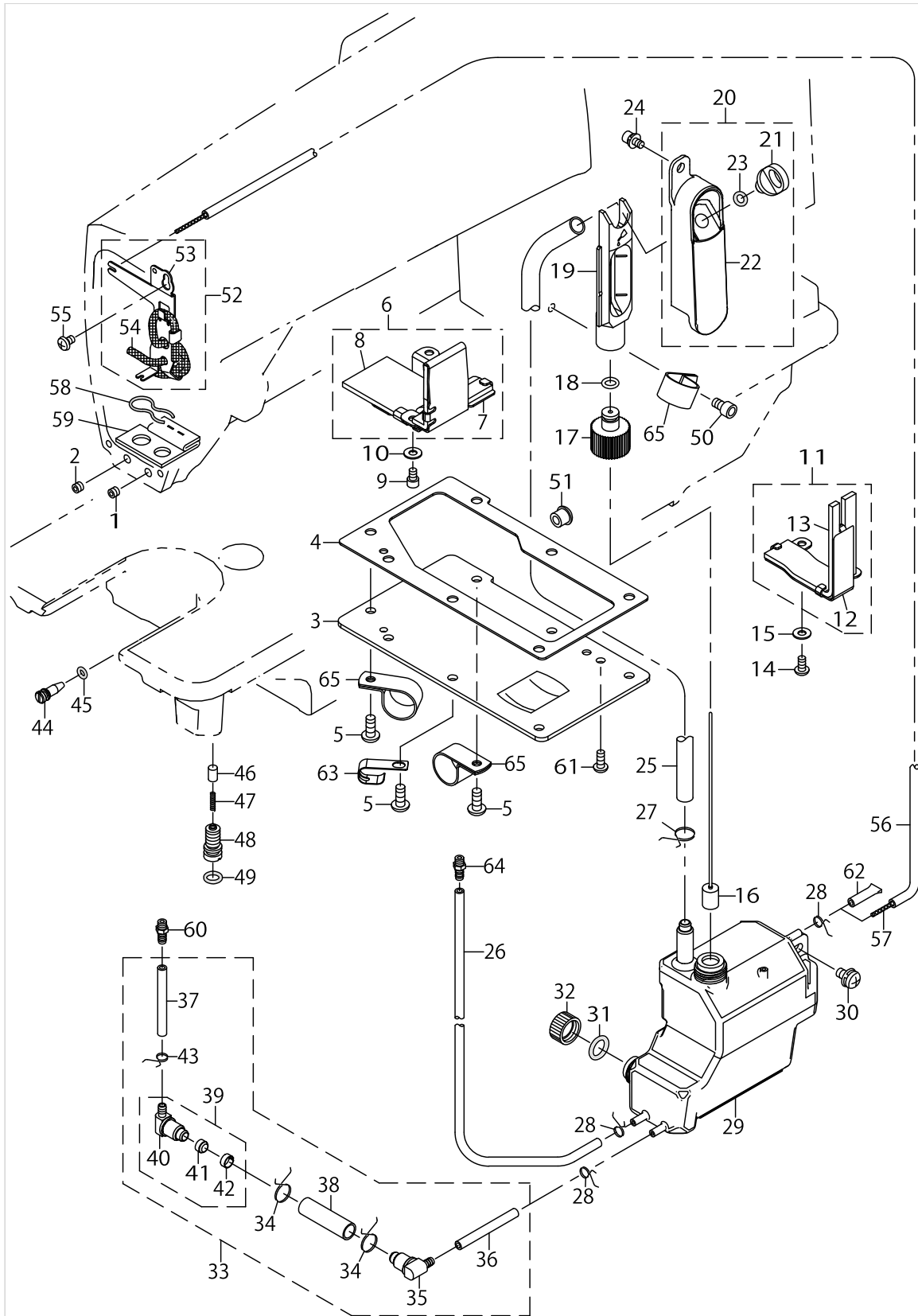
THREAD TRIMMER COMPONENTS

No.	Parts No.	Parts name	Remarks	Level	Cons	Qty
95	40174600	THREAD_TRIMMER_ARM_ASM	DDL-9000C-FSH ONLY			1
96	40174314	THREAD_TRIMMER_ARM	DDL-9000C-FSH ONLY	*		1
97	40184951	THREAD_TRIMMER_KNIFE	DDL-9000C-FSH ONLY	*		1
98	40174612	SPACER	SELECTIVE PARTS			1
99	40174610	CAM_ROLLER_B	SELECTIVE PARTS			1

OIL LUBRICATION COMPONENTS

No.	Parts No.	Parts name	Remarks	Level	Cons	Qty
1	SM8050402TP	SCREW				1
2	SM8050402TP	SCREW				1
3	40174358	GEAR_BOX_COVER				1
4	40174359	GEAR_BOX_PACKING				1
5	SM4051255SP	SCREW M5 L=12				6
6	40172469	LINK_COVER_ASM				1
7	40174360	LINK_COVER		*		1
8	40174361	GEAR_BOX_LUBRICATION_FELT		*		1
9	SM6040602TP	SCREW M4X0.7 L=6				2
10	WP0450801SD	WASHER 4.5X10X0.8				2
11	40174306	FEED_ROCKER_CAM_LUBRICATION_FELT_ASM.				1
12	40174394	FELT_PLATE		*		1
13	40174362	FEED_ROCKER_CAM_LUBRICATION_FELT		*		1
14	SM4040655SP	SCREW M4 L=6				2
15	WP0450801SD	WASHER 4.5X10X0.8				2
16	40172430	ASSY_FLOATER				1
17	40172433	FLOATER_CAP				1
18	RO061180100	RUBBER RING				1
19	40172437	FLOATER_CASE_GUIDE				1
20	40149785	ASSY_FLOATER_SIGHT_WINDOW_B				1
21	40000344	LUBRICATING INLET CAP		*		1
22	40086697	FLOATER_SIGHT_WINDOW_B		*		1
23	RO048190100	RUBBER RING		*		1
24	SL6040892TN	BOLT				1
25	23630106	TUBE B				0.1
26	23630007	TUBE				0.43
27	23629405	PIPE STOPPER B				1
28	23629306	PIPE STOPPER A				3
29	40172436	OIL_TANK				1
30	SL4051091SC	SCREW M5X0.8 L=10				2
31	RO098240100	O-RING				1
32	40013595	OIL_EXIT_CAP				1
33	40174307	OIL_FILTER_ASM.				1
34	23629405	PIPE STOPPER B		*		2
35	23630601	OIL FILTER JOINT		*		1
36	23630007	TUBE		*		0.045
37	40178658	PIPE		*		0.27
38	23630106	TUBE B		*		0.035
39	23630650	OIL FILTER JOINT ASM.		*		1
40	23630601	OIL FILTER JOINT		*		1
41	23630403	OIL FILTER		*		1
42	23630502	OIL FILTER STOPPER		*		1
43	23629306	PIPE STOPPER A		*		1
44	40174365	OIL ADJUSTING SCREW				1
45	RO037180100	RUBBER RING				1
46	23628803	PLUNGER				1
47	23628902	PLUNGER SPRING				1

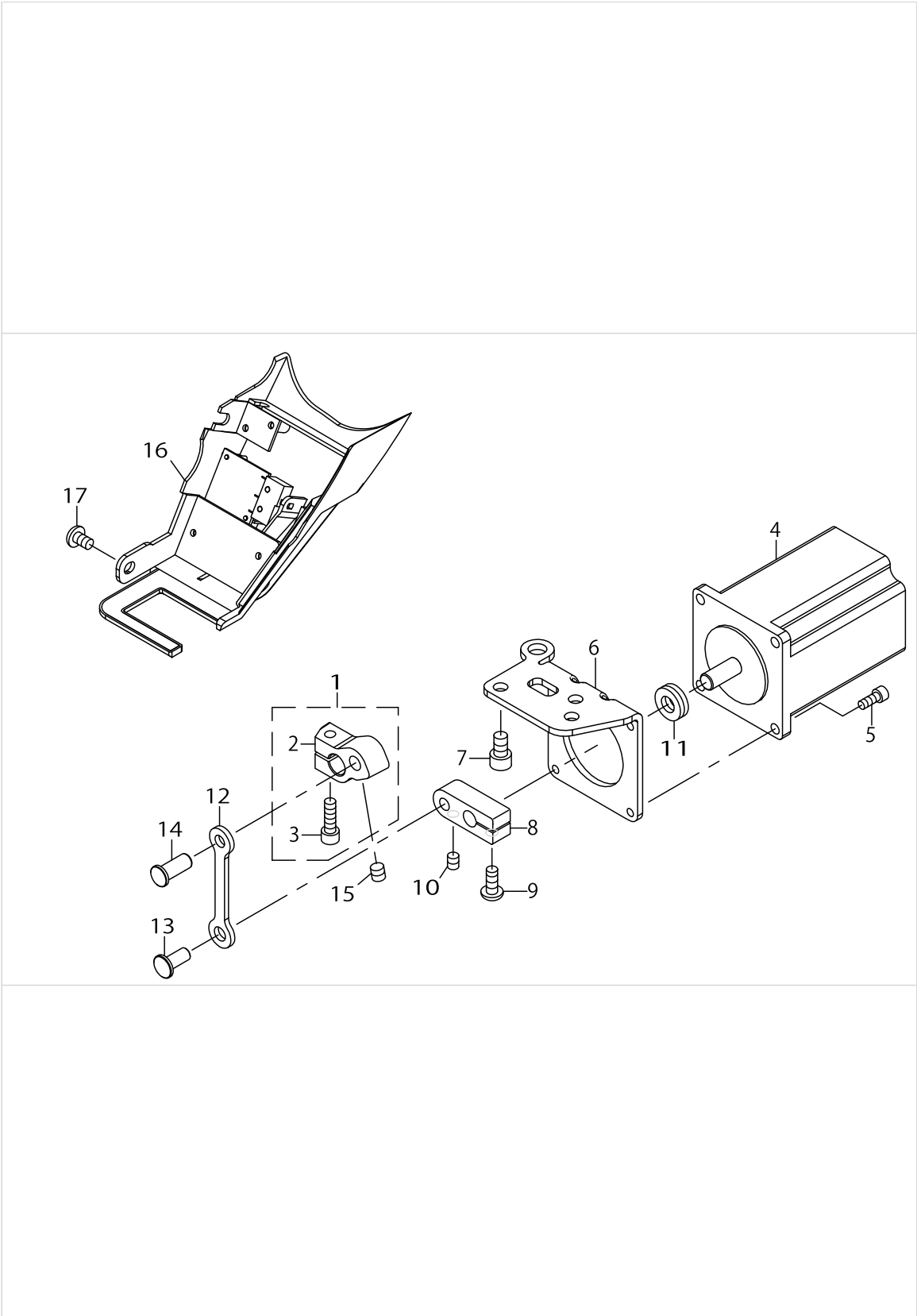
OIL LUBRICATION COMPONENTS



OIL LUBRICATION COMPONENTS

No.	Parts No.	Parts name	Remarks	Level	Cons	Qty
48	40038328	PLUNGER SCREW				1
49	RO068190100	RUBBER RING				1
50	SM6050802TP	SCREW M5X0.8 L=8				1
51	22901409	NEEDLE BAR UPPER BUSH CAP				1
52	23629256	OIL WICK SUPPORT ASM.	DDL-9000C-FSH ONLY			1
53	23629207	OIL WICK SUPPORT	DDL-9000C-FSH ONLY	*		1
54	CQ250000001	OIL WICK	DDL-9000C-FSH ONLY	*		0.25
55	SM5040655SN	SCREW	DDL-9000C-FSH ONLY			1
56	23630007	TUBE	DDL-9000C-FSH ONLY			0.75
57	CQ200000001	OIL WICK	DDL-9000C-FSH ONLY			0.18
58	22925101	OIL FELT PRESSER	DDL-9000C-FSH ONLY			1
59	40075404	FACE FELT ASM.	DDL-9000C-FSH ONLY			1
60	40174356	CONNECTING SCREW				1
61	SM4041055SP	SCREW				1
62	40174399	CAP	DDL-9000C-FMS ONLY			1
63	40136258	CORD HOLDER				1
64	SQ2050453MZ	CONNECTING SCREW				1
65	HX00150000K	CABLE CLIP				3

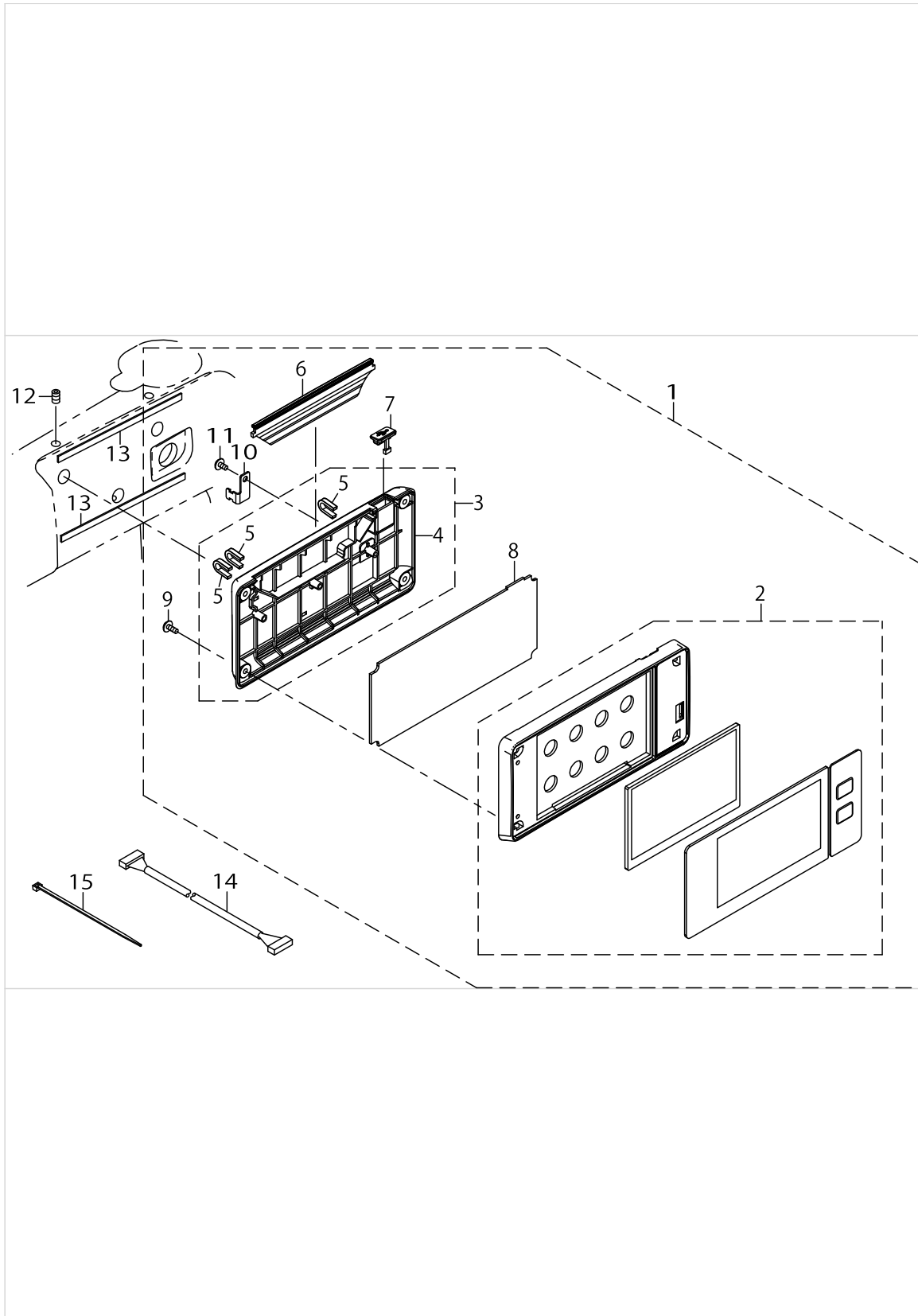
AUTOMATIC REVERSE FEED COMPONENTS



AUTOMATIC REVERSE FEED COMPONENTS

No.	Parts No.	Parts name	Remarks	Level	Cons	Qty
1	40095844	REVERSE_FEED_ARM_ASM.				1
2	40086698	REVERSE_FEED_ARM		*		1
3	SM6051602TP	SCREW M5X0.8 L=16		*		1
4	40168921	HORIZONTAL FEED MOTOR				1
5	SM6041002TP	SCREW M4X0.7 L=10				4
6	40172456	HORIZONTAL_MOTOR_BASE				1
7	SM6061002TP	SCREW M6 L=10				3
8	40010278	MOTOR LINK				1
9	SM4051255SP	SCREW M5 L=12				1
10	SM8050612TP	SCREW M5X6				1
11	SB408000100	BEARING				1
12	40172458	HORIZ_CONNECT_LINK				1
13	40172457	HORIZ_MOTOR_LINK_PIN				1
14	40086699	REVERSE_FEED_LINK_PIN				1
15	SM8480652TP	SCREW				1
16	40174372	LED_TB_SWITCH			☆	1
17	SM4050855SP	SCREW				2

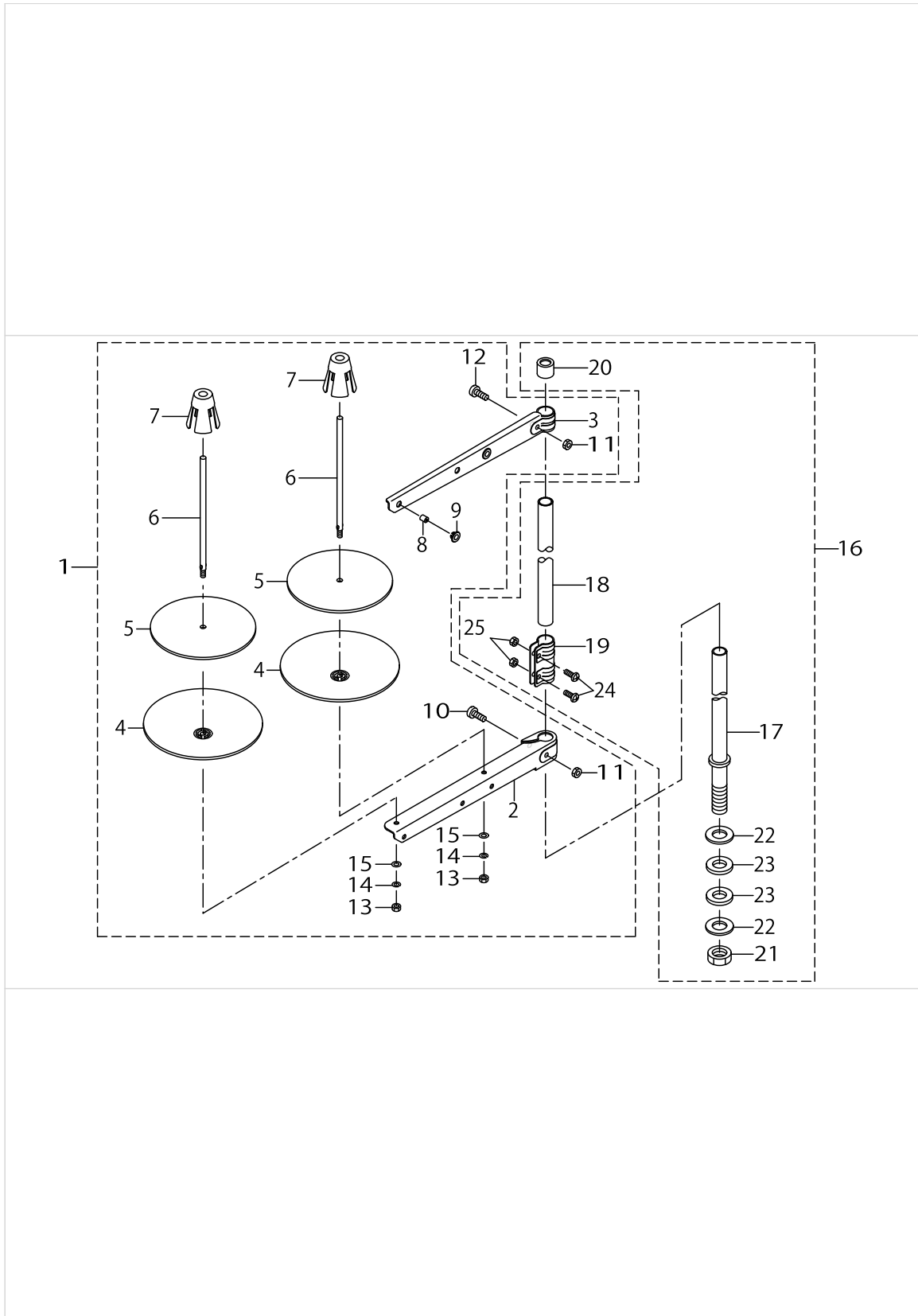
OPERATION PANEL COMPONENTS



OPERATION PANEL COMPONENTS

No.	Parts No.	Parts name	Remarks	Level	Cons	Qty
1	40173450	PANEL-F ASSY				1
2	40173451	PANEL_COVER_F ASSY		*	☆	1
3	40173459	PANEL COVER R ASM		*		1
4	40172386	PANEL_COVER_R		*		1
5	40172420	FIX_PLATE		*		3
6	40172422	INDICATOR		*		1
7	40172423	USB_COVER		*		1
8	40169398	PNL-F PCB ASSY		*		1
9	SV4030802SN	TAPPING SCREW WITH FLANGE M3X8		*		1
10	40174580	PANEL_CABLE_CLAMP_PLATE		*		1
11	SV4030802SN	TAPPING SCREW WITH FLANGE M3X8		*		4
12	SM8050802TP	SCREW M5X0.8 L=8				3
13	40174408	PANEL_CSHION_RUBBER				2
14	40175585	CTL-PNL CORD ASSY				1
15	EA9500B0100	CABLE BAND				1

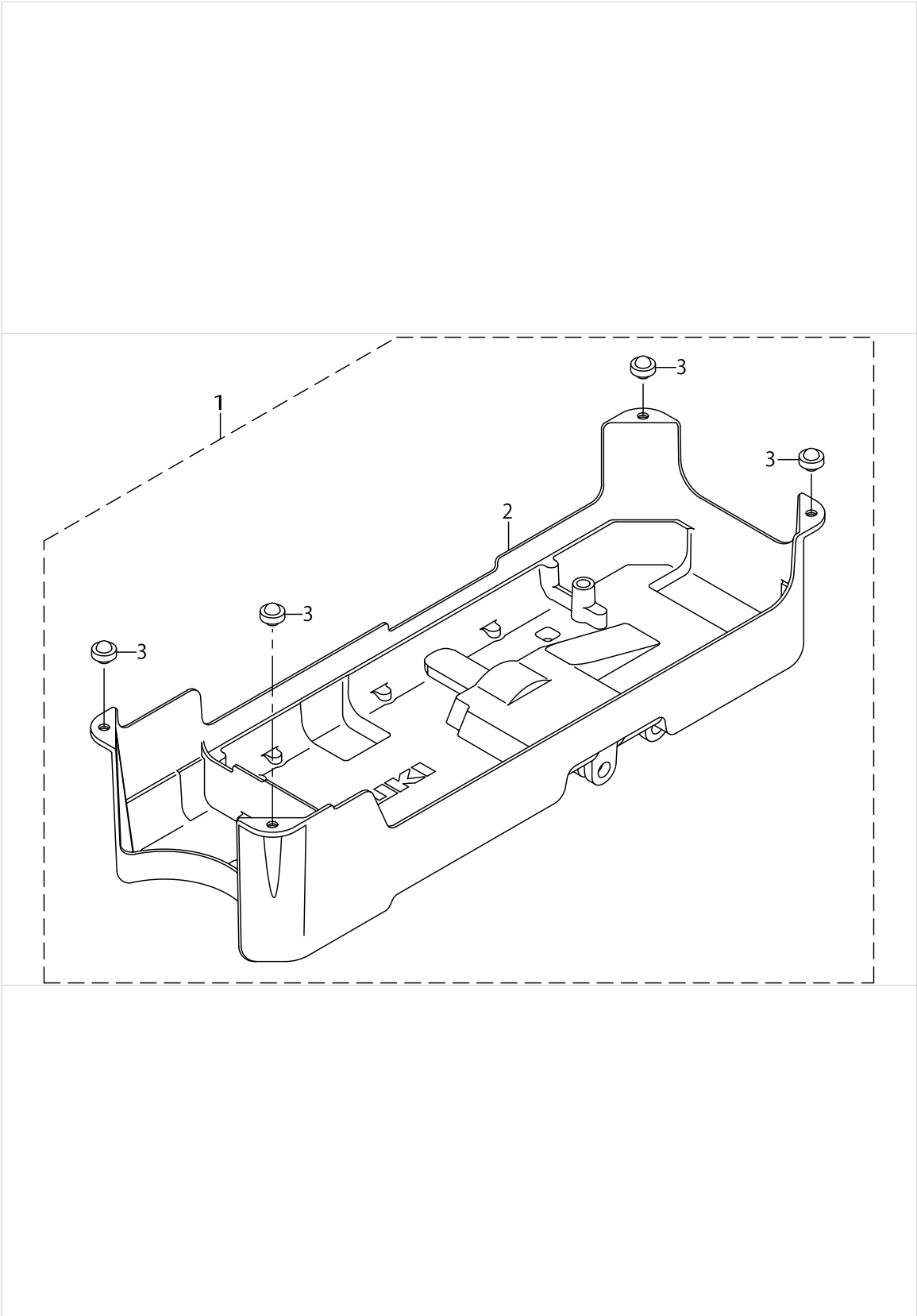
THREAD STAND COMPONENTS



THREAD STAND COMPONENTS

No.	Parts No.	Parts name	Remarks	Level	Cons	Qty
1	40108402	THRED_STAND_B				1
2	40085786	SPOOL REST ARM (LOWER)		*		1
3	40085787	SPOOL REST ARM (UPPER)		*		1
4	40085788	SPOOL REST		*		2
5	40085789	SPOOL REST CUSHION		*		2
6	40085790	SPOOL PIN		*		2
7	40085791	SPOOL RETAINER		*		2
8	40085794	THREAD GUIDE		*		2
9	40085795	THREAD GUIDE BUSHING		*		2
10	40096326	SPOOL REST ARM LOWER SCREW		*		1
11	NM6050001SE	NUT M5		*		2
12	40096327	SPOOL REST ARM UPPER SCREW		*		1
13	NM6050001SE	NUT M5		*		2
14	WS0510002KN	SPRING WASHER M5		*		2
15	WP0531001SC	WASHER M5		*		2
16	40108401	THREAD_STAND_A				1
17	40085784	SPOOL REST ROD LOWER		*		1
18	40085785	SPOOL REST ROD UPPER		*		1
19	40085792	SPOOL REST ROD JOINT		*		1
20	40085793	SPOOL REST ROD RUBBER CAP		*		1
21	40096325	SPOOL REST ROD NUT		*		1
22	WP1612616SE	WASHER 16X30X2.6		*		2
23	40085796	SPOOL REST ROD RUBBER CUSHION		*		2
24	SM4051405SE	SCREW M5 L=14		*		2
25	NM6050001SE	NUT M5		*		2

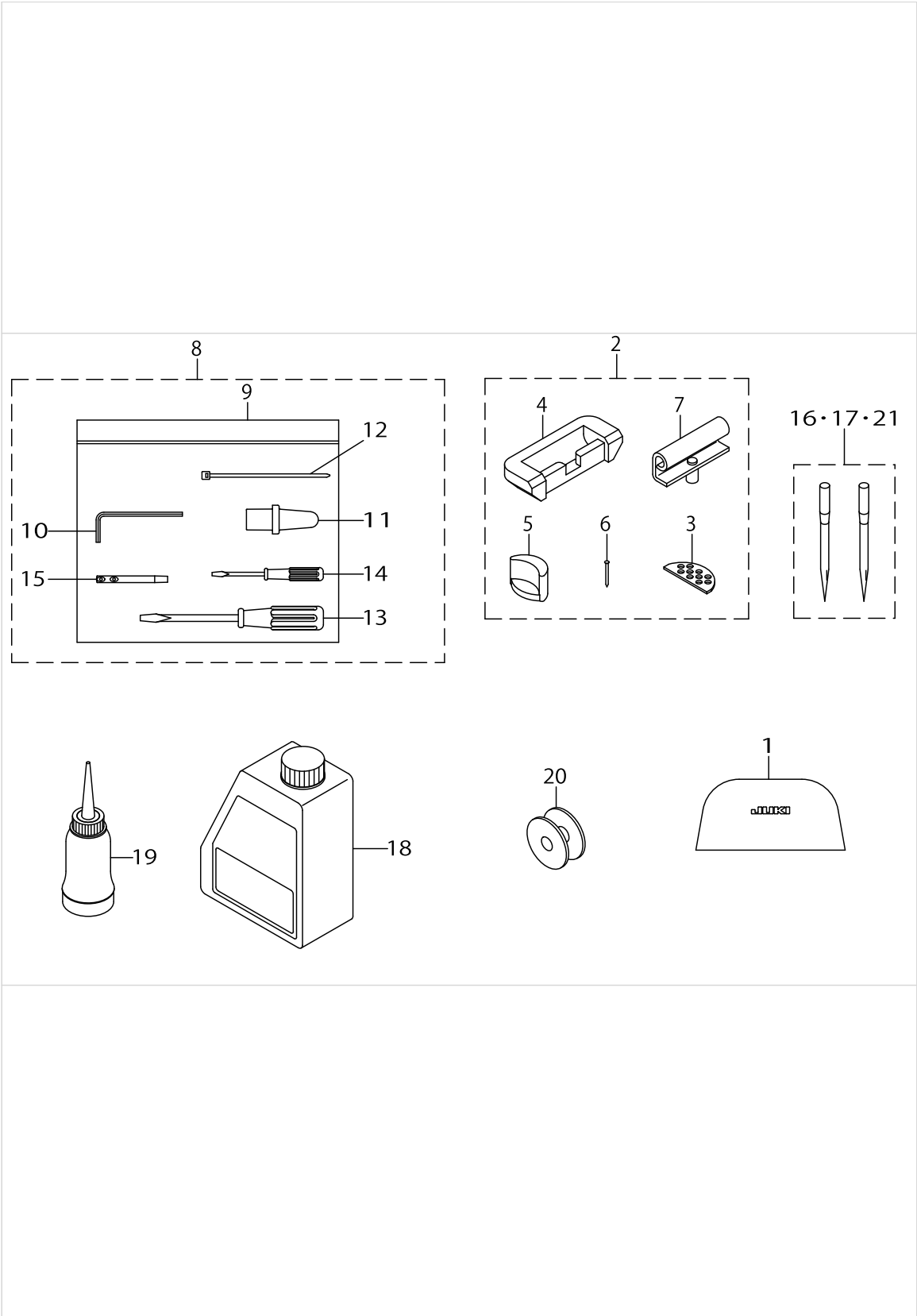
UNDER COVER COMPONENTS



UNDER COVER COMPONENTS

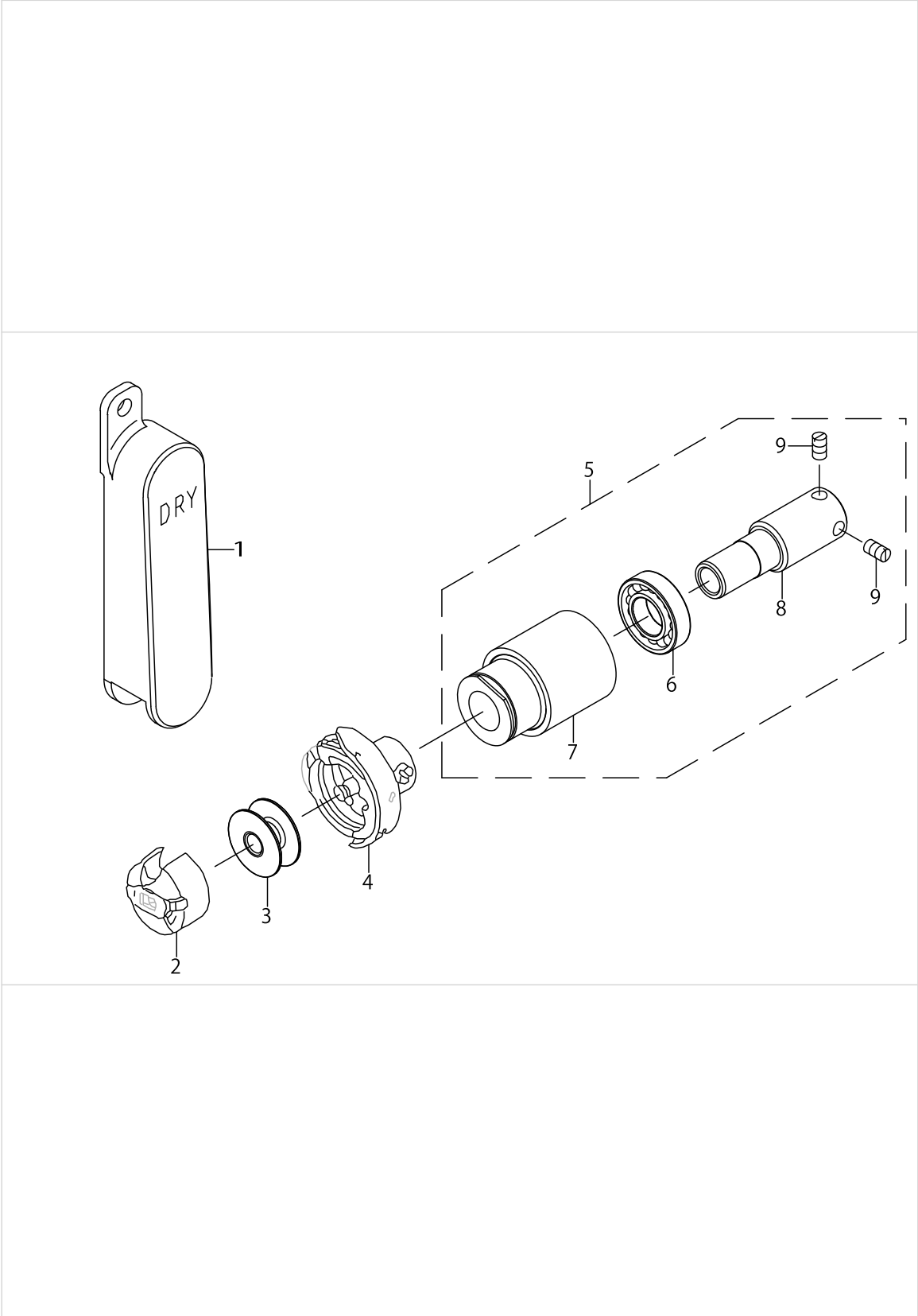
No.	Parts No.	Parts name	Remarks	Level	Cons	Qty
1	40062323	UNDER COVER B ASM.				1
2	23639008	UNDER COVER		*		1
3	B1116210D00	FRAME SUPPORT RUBBER		*		4

ACCESSORIE PART COMPONENTS



ACCESSORIE PART COMPONENTS

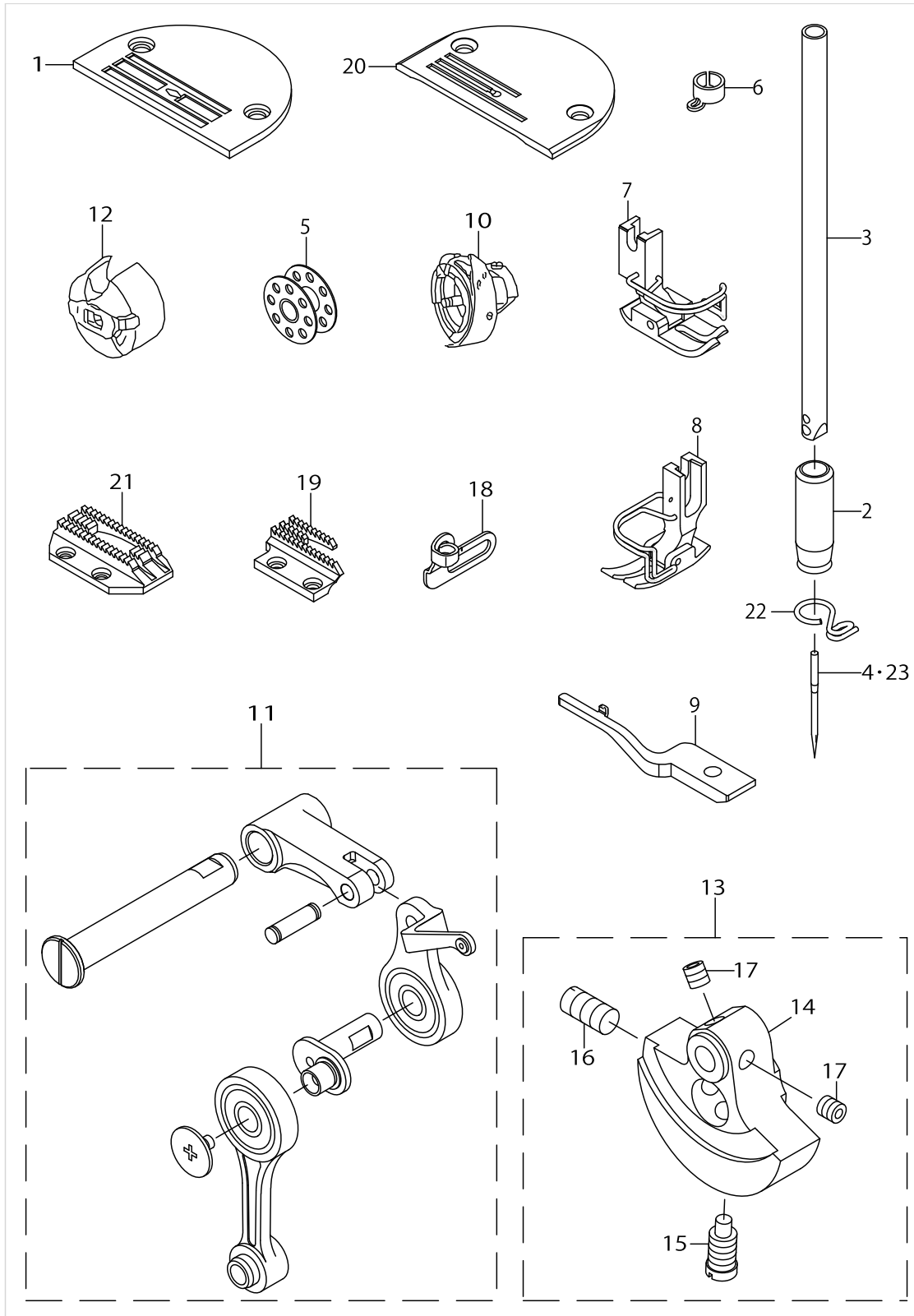
No.	Parts No.	Parts name	Remarks	Level	Cons	Qty
1	40135803	HEAD COVER				1
2	22958052	RUBBER HINGE ASM.				1
3	22926505	WASHER		*		2
4	22926000	RUBBER CUSHION		*		2
5	22958003	FRAME BUBBER CUSHION		*		2
6	22926208	NAIL		*		8
7	22926356	HINGE COMPL.		*		2
8	40174598	ACCESSORIE BAG ASM. F				1
9	22932800	ACCESSORIE BAG		*		1
10	40055591	HEXAGONAL WRENCH KYE		*		1
11	40174570	HEAD_SUPPORT_ROD	FOR AK_A/AK_GG	*		1
12	EA9500B0100	CABLE BAND		*		1
13	22933105	SCREW DRIVER (MIDDLE)		*		1
14	22933204	SCREW DRIVER (SMALL)		*		1
15	22502504	THREAD GUIDE BAR		*		1
16	MDB100B1402	NEEDLE DBX1#14-2	FOR AA/EE		☆	1
17	MDB100B1102	NEEDLE DBX1#11-2	FOR GG		☆	1
18	40102087	JUKI_MACHINE_OIL_7			☆	1
19	B91210120A0	OILER ASM.				1
20	22964001	BOBBIN A			☆	1
21	MC200500752	134 #75-2	FOR BB			1



EXCLUSIVE PARTS DDL-9000C-FDS

No.	Parts No.	Parts name	Remarks	Level	Cons	Qty
1	40037146	FLOATER SIGHT WINDOW D				1
2	22896252	BOBBIN CASE ASM.			☆	1
3	22964001	BOBBIN A			☆	1
4	22890305	RP HOOK S			☆	1
5	40060511	LOWER SHAFT BEARING ASM.				1
6	G1812870000	LOWER SHAFT INNER BEARING		*		1
7	40060512	LOWER SHAFT FROT BEARING BUSH		*		1
8	40060513	LOWER SHAFT BUSHING FROT		*		1
9	SS8110710SP	SCREW 11/64-40 L=6.5		*		2

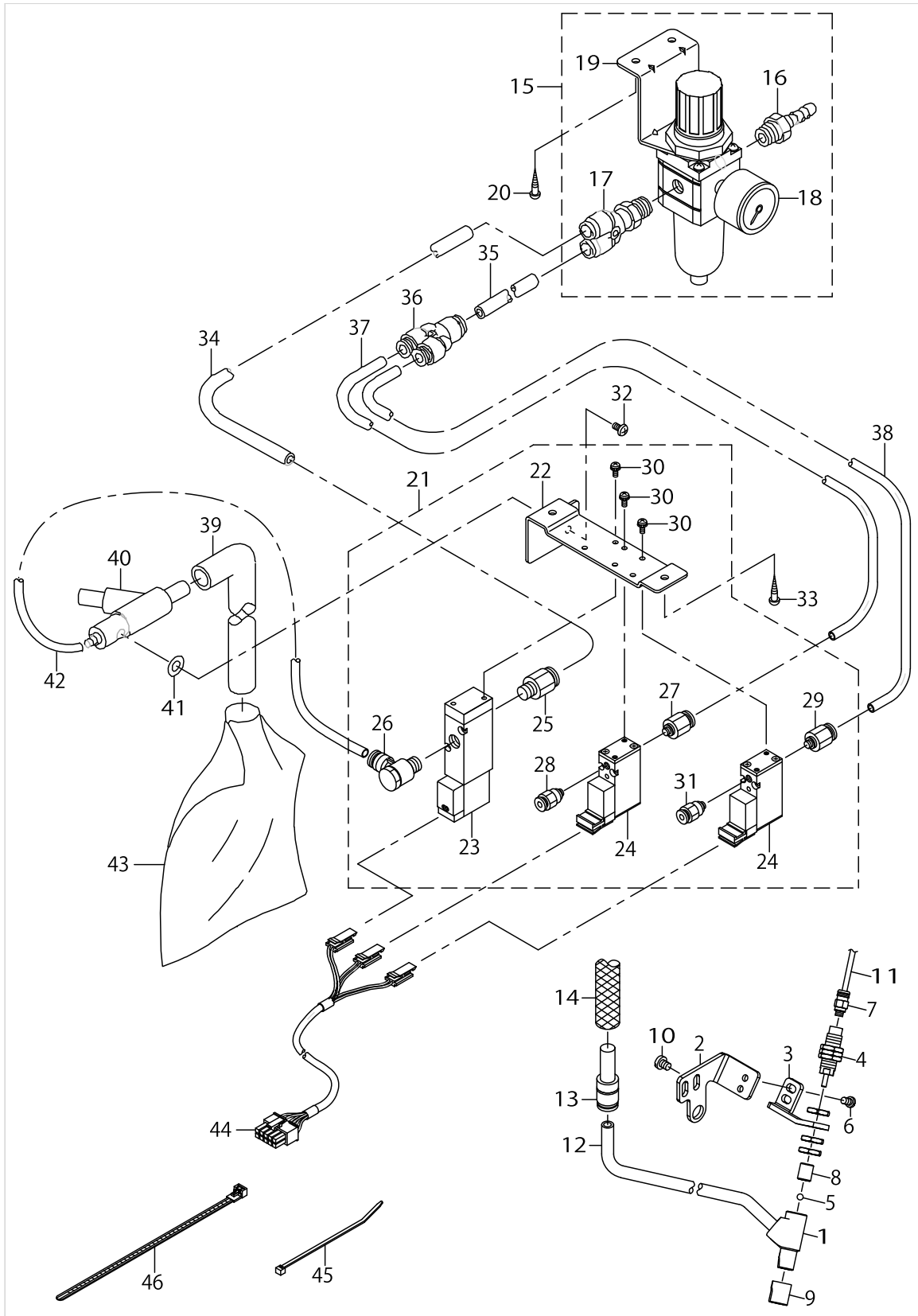
EXCLUSIVE PARTS DDL-9000C-FSH



EXCLUSIVE PARTS DDL-9000C-FSH

No.	Parts No.	Parts name	Remarks	Level	Cons	Qty
1	40089605	THROAT_PLATE_J	FOR AA/BB/EE			1
2	40107708	NEEDLE_BAR_METAL_LOWER_H				1
3	40061767	NEEDLE BAR H				1
4	MDB100B2100	NEEDLE DBX1 #21	FOR AA/GG/EE		☆	1
5	B9117012000	BOBBIN				1
6	40024124	NEEDLE BAR THREAD GUIDE				1
7	D1524555EBL	PRESSER FOOT ASM.	FOR AA/BB/EE			1
8	40064839	PRESSER FOOT ASM.				1
9	40174353	INNER_HOOK_HOLDER_H				1
10	11092251	LUBRICATING HOOK ASM.			☆	1
11	40191118	THREAD_TAKE_UP_COMP_H				1
12	40000264	BOBBIN CASE ASM.			☆	1
13	40191126	ASSY_COUNTER WEIGHT_H				1
14	40191127	COUNTER_WEIGHT_H		*		1
15	40004171	COUNTER_WEIGHT_SCREW		*		1
16	SM8081652TP	SCREW M8 L=16		*		1
17	SM80606A2TP	SCREW M6 L=6		*		2
18	40063697	ARM THREAD GUIDE A H				1
19	11062601	FEED DOG	FOR GG			1
20	11062007	THROAT PLATE A	FOR GG			1
21	11403003	FEED J	FOR AA/BB/EE			1
22	40023223	NEEDLE BAR THREAD GUIDE				1
23	MC200501300	NEEDLE 134 NM130	FOR BB			1

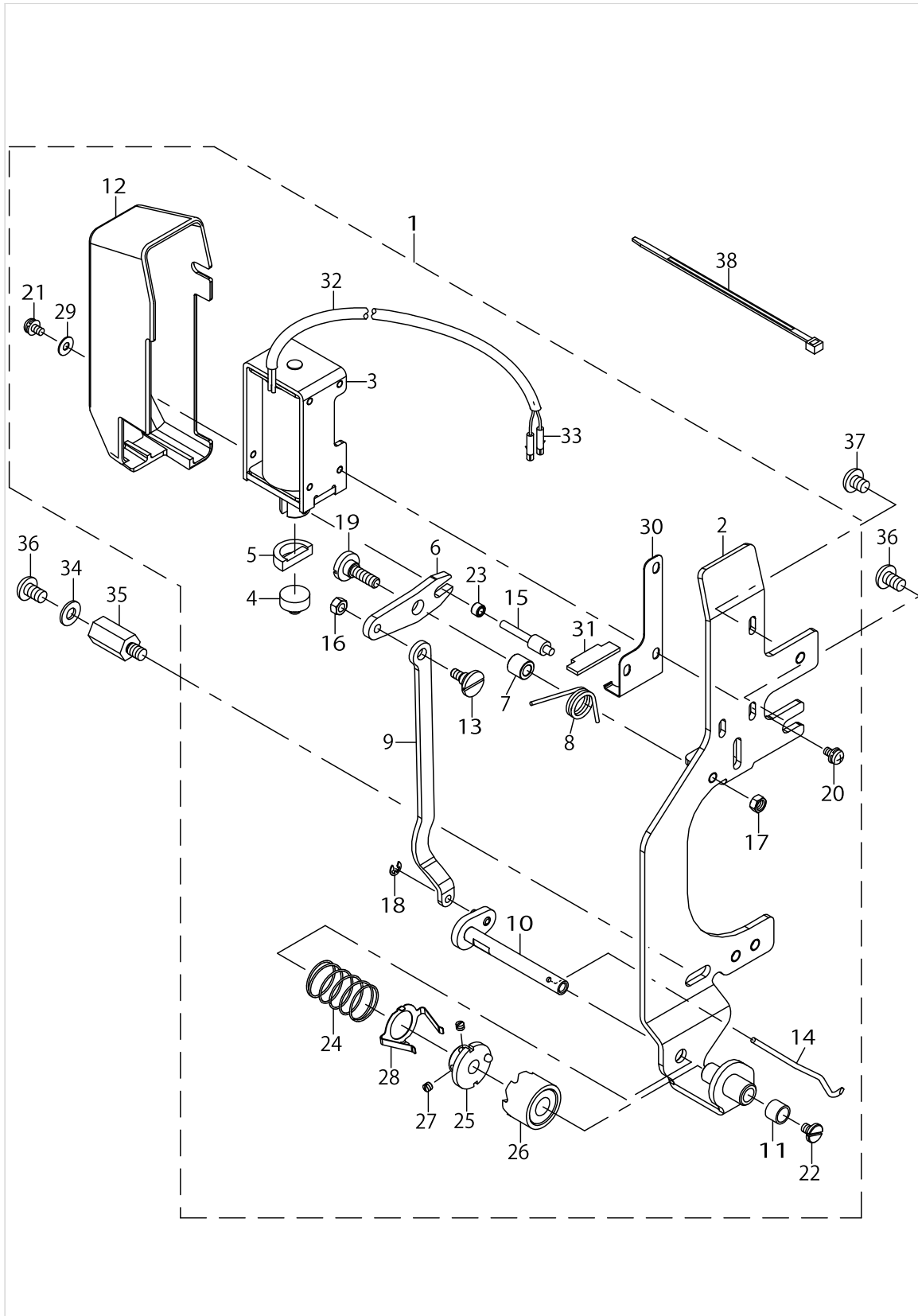
THREAD HOLDER & AIR COMPONENTS (FOR PBN)



THREAD HOLDER & AIR COMPONENTS (FOR PBN)

No.	Parts No.	Parts name	Remarks	Level	Cons	Qty
1	11429305	CLAMP HEAD				1
2	40189532	CLAMP BASE				1
3	11429404	CLAMP BASE, B				1
4	11429008	CLAMP CYLINDER				1
5	11428505	CLAMP BALL				1
6	SS7110710SP	SCREW 11/64-40 L=7				2
7	PJ301040502	HALF UNION 4XM5				1
8	11427705	HEAD BUSH				1
9	11427309	HEAD COVER				1
10	SM4050655SP	SCREW M5 L=6				2
11	BT0400251EB	URETHANE HOSE, BLACK				1.4
12	BT0800501EB	VINYL TUBE				1.5
13	PJ301080001	REDUCER				1
14	BT1601001Z0	TUBE				0.1
15	11427960	AIR FILTER ASM.				1
16	PJ032526001	HOSE NIPPLE		*		1
17	PJ308085201	Y-UNION		*		1
18	40003560	REGULATOR ASM.		*		1
19	PF902005000	REGULATOR BRACKET		*		1
20	SK3412000SC	WOOD SCREW D=4.1 L=20				2
21	11426368	SOLENOID VALVE ASM.				1
22	11426301	SOLENOID VALVE ADJUSTING BASE		*		1
23	PV135103000	3-PORT SOLENOID VALVE		*		1
24	PV130524000	3 PORT SOLENOID VALVE		*		2
25	PJ301085102	JOINTING		*		1
26	PJ304085103	SWING ELBOW		*		1
27	PJ301060501	UNION		*		1
28	PJ301040501	HALF UNION M5 D=4		*		1
29	PJ301060501	UNION		*		1
30	SL4030881SF	SCREW M3 L=8		*		6
31	PJ301040501	HALF UNION M5 D=4		*		1
32	SS4110715SP	SCREW 11/64-40 L=7				1
33	SK3412000SC	WOOD SCREW D=4.1 L=20				2
34	BT0800501EB	VINYL TUBE				0.3
35	BT0800501EB	VINYL TUBE				0.1
36	PJ308080001	UNION, Y				1
37	BT0600401EB	TUBE				0.2
38	BT0600401EB	TUBE				0.2
39	BT1601001Z0	TUBE				0.3
40	F10120030A0	NOZZLE ASM.				1
41	B1155771000	CUSHION				1
42	BT0600401EB	TUBE				0.1
43	11428802	DUST BAG				1
44	11496767	SORENOID VALVE CORD ASM.				1
45	HX002330000	CLIP				4
46	HX00292000A	CONNECTING PART				1

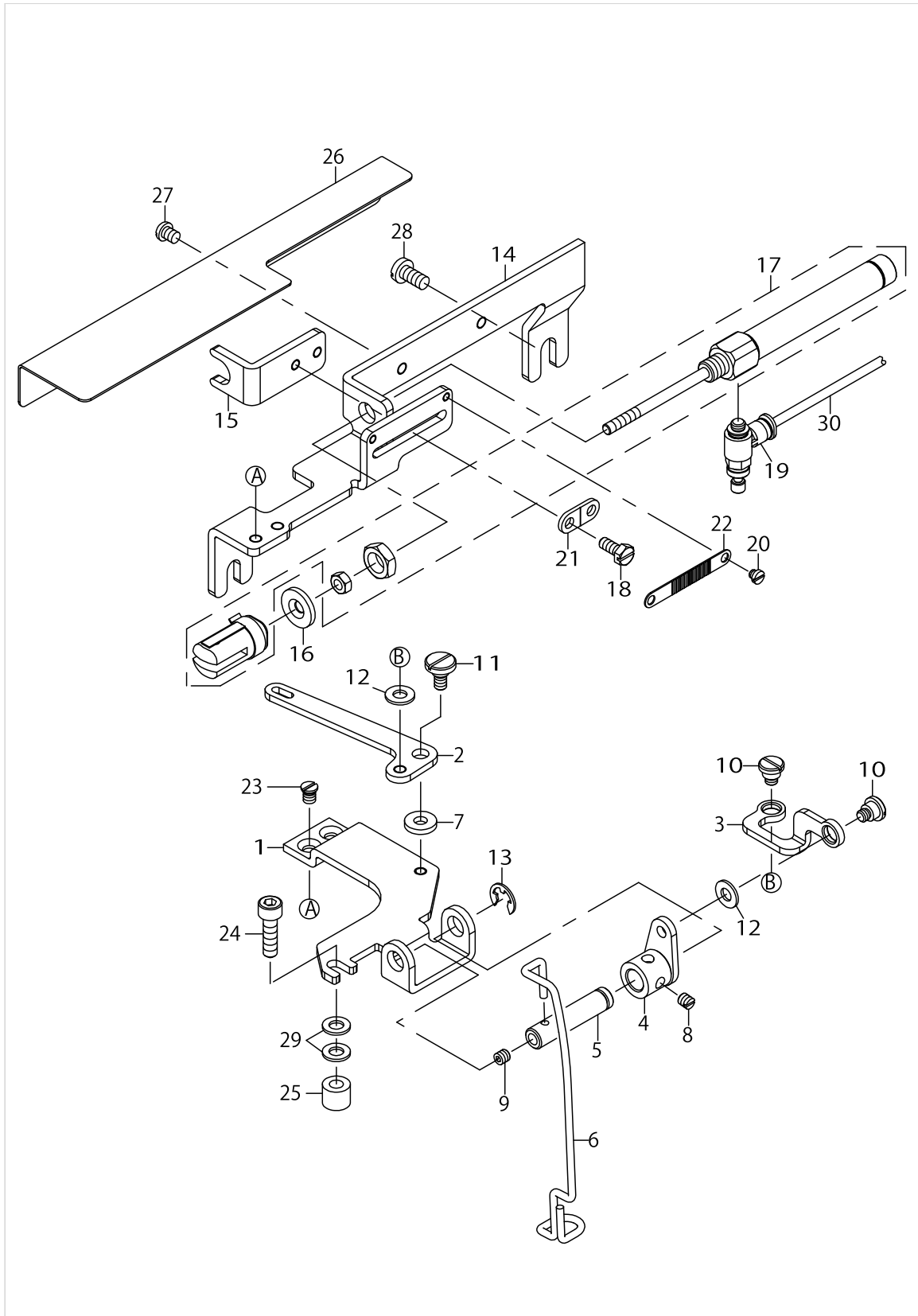
WIPER COMPONENTS (FOR PBN)



WIPER COMPONENTS (FOR PBN)

No.	Parts No.	Parts name	Remarks	Level	Cons	Qty
1	40189531	WIPER_PBN_ASM				1
2	40189526	WIPER_BASE_ASM		*		1
3	40095175	WIPER_SOLENOID_ASM.		*		1
4	22955900	WIPER RUBBER A		*		1
5	22956007	WIPER RUBBER B		*		1
6	22956106	WIPER LINK A		*		1
7	22956205	WIPER HINGE SCREW COLLAR		*		1
8	22956304	WIPER SPRING		*		1
9	40189529	WIPER_LINK_B		*		1
10	11424959	WIPER SHAFT ASM.		*		1
11	22956809	WIPER COLLAR		*		1
12	40189264	WIPER_COVER		*		1
13	22956908	WIPER LINK B HINGE SCREW		*		1
14	40046108	WIPER		*		1
15	22957104	WIPER SOLENOID SHAFT		*		1
16	NS6090310SP	HEXAGONAL NUT 9/64-40		*		1
17	NS6110310SP	HEXAGONAL NUT 11/64-40		*		1
18	RE0250000K0	E-RING 2.5		*		1
19	SD0650321TP	SHOULDER SCREW D=6.5 H=3.2		*		1
20	SL4030641SE	SCREW M3 L=6		*		3
21	SL4030641SE	SCREW M3 L=6		*		1
22	SS6090540SP	SCREW 9/64-40 L= 5.0		*		1
23	22957203	WIPER LINK COLLAR		*		1
24	11429107	SLIDE SPRING		*		1
25	11425451	FOLLOWER ASM.		*		1
26	11425659	RATCHET ASM.		*		1
27	SS8080310TP	SCREW 1/8-44 L=2.8		*		2
28	11422706	STOPPER SPRING		*		1
29	WP0330501SB	WASHER M3		*		1
30	40086680	RUBBER HOLDER		*		1
31	40086679	WIPER_STOPPER_RUBBER		*		1
32	HW500070000	2-CORE CABTYRE CORD		*		1.33
33	HK03464000T	NEW MINIFIT SCALPEL TERMINAL		*		2
34	WP0501016SD	WASHER 5X10.5X1				1
35	40189528	WIPER_BASE_STUD				1
36	SM4050855SP	SCREW				2
37	SM4050655SP	SCREW M5 L=6				1
38	EA9500B0100	CABLE BAND				2

THREAD HAUL COMPONENTS (FOR PBN)



THREAD HAUL COMPONENTS (FOR PBN)

No.	Parts No.	Parts name	Remarks	Level	Cons	Qty
1	11426608	THREAD HAUL BASE				1
2	11427101	THREAD HAUL CONNECTING LINK				1
3	11427200	THREAD HAUL CONNECTING LINK				1
4	11426855	THREAD HAUL LEVER ASM.				1
5	11426707	THREAD HAUL SHAFT				1
6	40060341	THREAD HAUL WIRE				1
7	WP0482086SD	WASHER 4.8X11.5X2				1
8	SS8110520TP	SCREW 11/64-40 L=4.5				2
9	SS8110422TP	SCREW 11/64-40 L=4				1
10	SD0640321SP	SHOULDER SCREW D=6.35 H=3.2				2
11	SD0600291TP	SHOULDER SCREW D=6 H=2.9				1
12	WP0501016SA	WASHER 5X10.5X1				2
13	RE0600000K0	E-RING 6				1
14	40189530	THREAD_HAUL_CYLINDER_PLATE				1
15	11428307	HAUL THREAD STOPPER				1
16	B1620487000	FEED CONNECTING PIN WASHER				1
17	PA1003018B0	AIR CYLINDER (Y KNUCKLE)				1
18	SM9041050SC	SCREW M4X0.7 L=10				2
19	PC010507000	SPEED CONTROLLER				1
20	SS6080320SP	SCREW 1/8-44 L=2.5				2
21	11428000	THREAD HAUL ADJUSTING PLATE				1
22	11427804	THREAD HAUL SCALE PLATE				1
23	SS1110710SP	SCREW 11/64-40 L=7				2
24	SM6051802TP	SCREW M5 L=18				1
25	11315108	COLLAR				1
26	11427606	THREAD HAUL CYLINDER COVER				1
27	SS4110515SP	SCREW 11/64-40 L=5				2
28	SM4050655SP	SCREW M5 L=6				1
29	WP0531000SC	WASHER 5.3X10X1				2
30	BT0400251EB	URETHANE TUBE BLACK 4X2.5				1.2

TABLE & STAND COMPONENTS

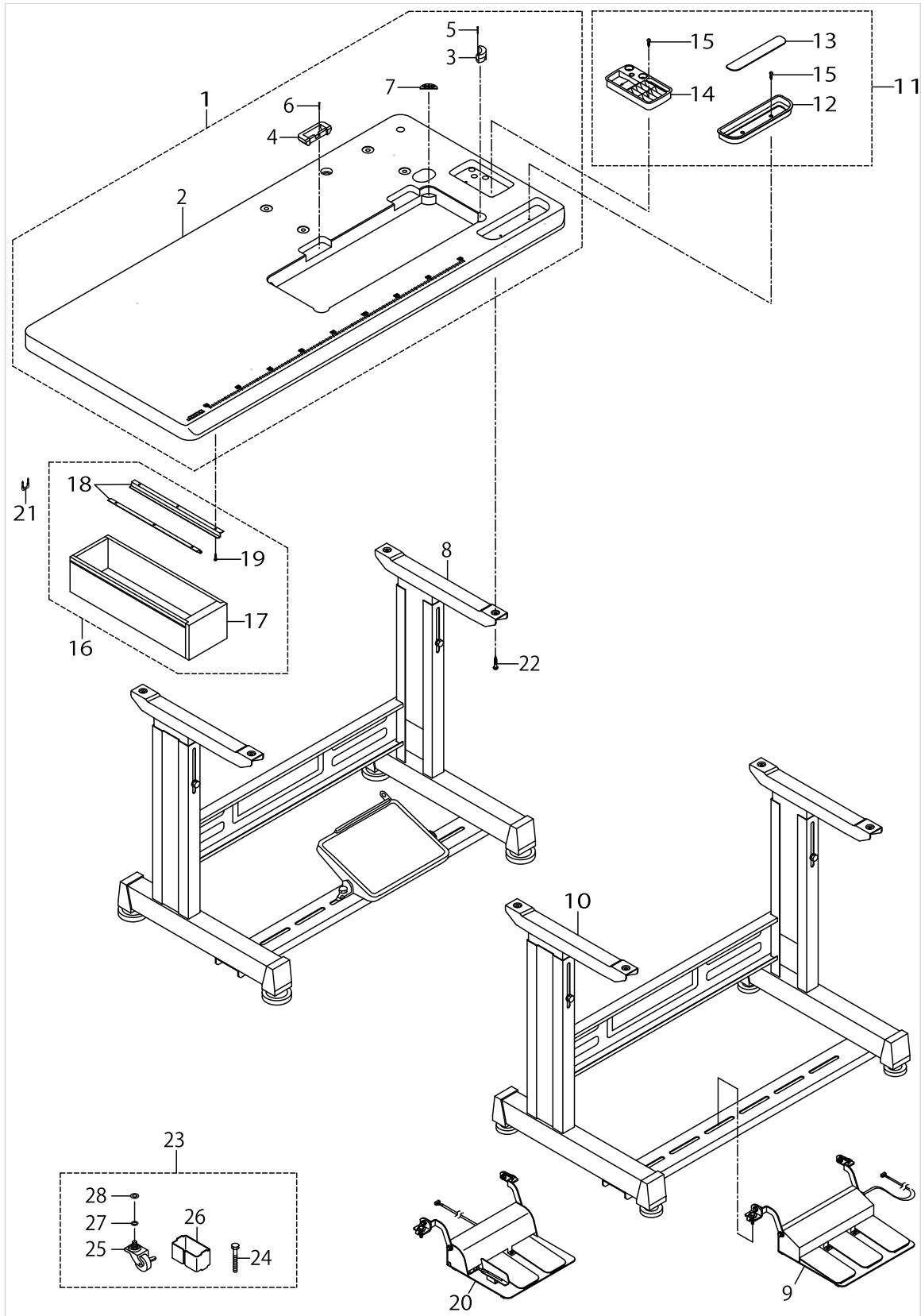
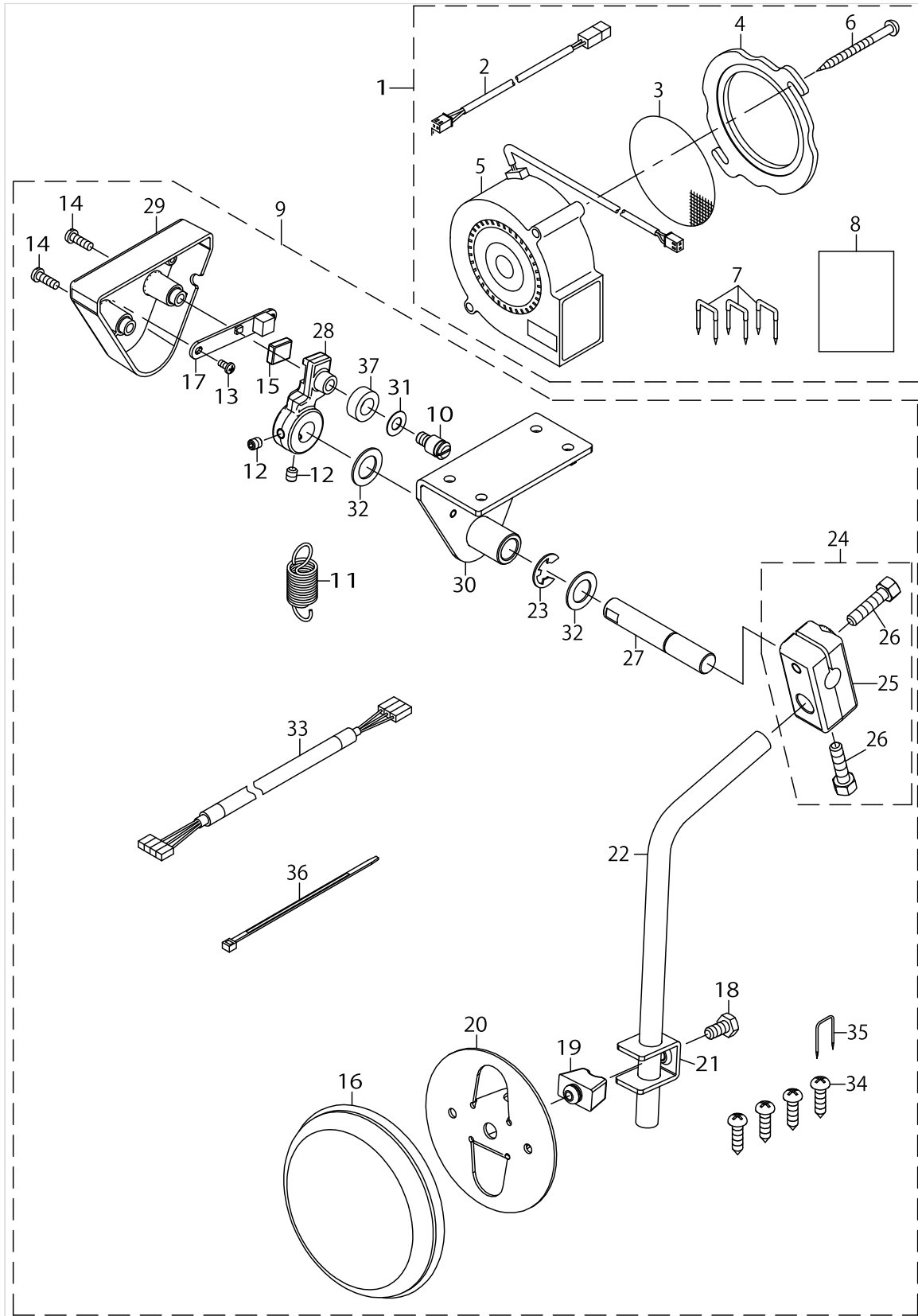


TABLE & STAND COMPONENTS

No.	Parts No.	Parts name	Remarks	Level	Cons	Qty
1	40174410	TABLE ASM.				1
2	40172421	TABLE		*		1
3	11075900	RUBBER SPACER		*		2
4	11075801	RUBBER SPACER		*		2
5	B8210012000	CUSHION SET NAIL		*		4
6	B8210012000	CUSHION SET NAIL		*		4
7	D8226555E00	FRAME RUBBER CUSHION A		*		2
8	11157567	T LEG JUNCTION	FOR JT-D950			1
9	GPK700010A0	3-JOINT PEDAL 70	FOR JT-D95A/-D95B			1
10	11157559	T-STAND ASM.	FOR JT-D95A/-D95B			1
11	11155769	SMALL CASTINGS BOX B ASM.				1
12	11156007	CASE		*		1
13	11155801	CASE MAGNET		*		1
14	11155751	CASE ASM. B		*		1
15	SK3382001SC	WOOD SCREW D=3.8 L=20		*		4
16	11155157	DRAWER ASM.				1
17	11155108	DRAWER		*		1
18	11155207	DRAWER SUPPORT		*		2
19	SK3311600SE	WOOD SCREW D=3.1 L=16		*		6
20	GPK710010A0	2-PEDAL ASM. 71	FOR JT-D95A/-D95B			1
21	D8204555D00	DRAWER STOPPER				1
22	SK3513200SC	WOOD SCREW D=5.1 L=32				4
23	11159456	CASTER ASM.	OPTIONAL PARTS			1
24	SM9086523SE	HEXAGONAL BOLT		*		2
25	11159407	CASTER		*		4
26	11159506	STRUT AUXILIARY PLATE		*		2
27	WS0861410KR	SPRING WASHER 8.6X15X1.4		*		2
28	WP0871602SE	WASHER 8.7X18X1.6		*		2

SPECIAL ORDER PARTS



SPECIAL ORDER PARTS

No.	Parts No.	Parts name	Remarks	Level	Cons	Qty
1	40065571	ELECTRIC FAN HOOK COOLING DEVICE				1
2	40044065	FAN_RELAY_CABLE		*		1
3	40064805	FAN FILTER		*		1
4	40064806	FAN COOLING COVER		*		1
5	40065564	FAN MOTOR ASSY		*		1
6	SK3415001SE	SCREW D=4.1 L=50		*		2
7	MAO11532000	CORD STAPLE		*		3
8	40065572	HOOK COOLING DEVICE INSTRUCTION MANUAL		*		1
9	40206843	KNEE LIFTER ASSY				1
10	26220707	SPRING HOOK		*		1
11	40201424	KNEE UPPER SPRING		*		1
12	SM8050612TP	SCREW M5X6		*		2
13	ST4030551SN	SCREW		*		2
14	SM4041255SP	SCREW M4 L=12		*		2
15	40206840	KNEE UPPER MAGNET		*		1
16	22934509	KNEE PAD PLATE COVER		*		1
17	40206841	KNEE UPPER PCB		*		1
18	SM9061203SE	SCREW M6 L=12		*		1
19	22934400	KNEE PAD PLATE RUBBER		*		1
20	22934202	KNEE PAD PLATE		*		1
21	22934301	KNEE PAD PLATE SUPPORT		*		1
22	22934608	KNEE PAD UPRIGHT SHAFT		*		1
23	RE0900000K0	E-RING 9		*		1
24	22932453	BRACKET ASM.		*		1
25	22932404	BRACKET		*		1
26	22934707	SCREW		*		2
27	40200727	KNEE LIFTER SHAFT		*		1
28	40200725	PRESSER LIFT CRANK		*		1
29	40200729	KNEE LIFTER COVER		*		1
30	40200731	KNEE LIFTER BASE ASSY		*		1
31	WP0650416UZ	WASHER 6.5X13X0.4		*		1
32	WP1221016SP	WASHER		*		2
33	40206842	KNEE LIFTER CORD		*		1
34	SK3512001SE	WOOD SCREW D=5.1 L=20		*		4
35	MAO11532000	CORD STAPLE		*		1
36	EA9500B0100	CABLE BAND		*		1
37	BT1600101EB	URETHANE TUBE BLACK 16X10		*		0.05

HOW TO MAKE USE OF THIS PARTS LIST

1.Explanation of codes

1)"*"mark.....means this part is changed from the previous parts book.

As to the details of the change, refer to the "List for information of change".

2)"#01".....refer to "Note" explanation at bottom of page.

2.Codes on the "Qty" column

- Each numeral indicates the number of parts required.
- "0.1" and "2.5" indicate the length (in meters) of the respective parts.

3.Parentheses mean that the corresponding part is a subpart that constructs an assembly part.

4.Dotted lines on the Figures indicate assembly parts.

5.As to the parts with marks of "☆"(consumable parts) and "◎"(optional parts)on the respective parts, it is recommended to prepare spares.

Sign	Place of destination
GG	China
BB	Europe
EE	Japan
AA	excludes China,Europe and Japan

1."注記"欄の記号説明

1) "*"印.....前回のパーツブックに比較して今回変更された部品を意味します。

変更内容は、"変更情報リスト"を参照してください。

2) "#01".....ページ下の"注記"の説明を参照してください。

2.数量欄の数字は、個数を表し、0.1、2.5等の数値は、長さ（単位メートル）を表します。

3.数量欄の（ ）は、組部品を構成している子部品であることを意味します。

4.イラストページの-----枠は、組構成であることを意味します。

5.リストページの"☆"（消耗部品）、"◎"（オプション部品）の印がついた部品は、予備を準備しておくことをお奨めします。

記号	仕向地
GG	中国
BB	ヨーロッパ
EE	日本
AA	中国、ヨーロッパ、日本を除く

NUMERICAL INDEX OF PARTS

PART NO	PAGE	REF NO.	PART NO	PAGE	REF NO.	PART NO	PAGE	REF NO.
10523702	16	33	11427705	50	8	22926208	44	6
10618304	28	49	11427804	54	22	22926356	44	7
11015906	24	4	11427960	50	15	22926505	44	3
11028008	4	60	11428000	54	21	22932404	58	25
11038650	24	29	11428307	54	15	22932453	58	24
11038759	24	25	11428505	50	5	22932800	44	9
11062007	48	20	11428802	50	43	22933105	44	13
11062601	48	19	11429008	50	4	22933204	44	14
11075801	56	4	11429107	52	24	22934202	58	20
11075900	56	3	11429305	50	1	22934301	58	21
11079506	24	36	11429404	50	3	22934400	58	19
11092251	48	10	11496767	50	44	22934509	58	16
11155108	56	17	13319405	20	26	22934608	58	22
11155157	56	16	13738802	28	82	22934707	58	26
11155207	56	18	22502504	44	15	22945414	2	44
11155751	56	14	22890206	24	30~32	22945604	2	46
11155769	56	11	22890305	24	30~32	22945703	2	47
11155801	56	13	22890305	46	4	22945802	4	48
11156007	56	12	22890404	24	30~32	22950000	28	76
11157559	56	10	22891204	6	2	22952501	18	56
11157567	56	8	22896252	24	34	22955900	52	4
11159407	56	25	22896252	46	2	22956007	52	5
11159456	56	23	22901300	2	33	22956106	52	6
11159506	56	26	22901409	8	2	22956205	52	7
11315108	54	25	22901409	34	51	22956304	52	8
11403003	48	21	22901805	4	52	22956809	52	11
11419504	28	83~87	22904106	16	23	22956908	52	13
11419603	28	83~87	22904155	16	22	22957104	52	15
11419702	28	83~87	22906309	8	47	22957203	52	23
11419801	28	83~87	22906408	8	4	22958003	44	5
11419900	28	83~87	22906457	8	3	22958052	44	2
11420601	26	6	22911002	16	19	22963409	2	45
11422706	52	28	22911101	16	11	22963458	2	43
11424959	52	10	22912307	18	54	22964001	24	26
11425451	52	25	22916506	24	3	22964001	44	20
11425659	52	26	22916555	24	2	22964001	46	3
11426301	50	22	22920409	4	57	23605207	8	13
11426368	50	21	22921308	6	27	23614506	22	49
11426608	54	1	22921407	6	28	23616709	16	21
11426707	54	5	22921506	4	83	23626104	2	41
11426855	54	4	22921506	6	29	23628803	32	46
11427101	54	2	22921605	4	80	23628902	32	47
11427200	54	3	22921704	6	30	23629207	34	53
11427309	50	9	22925101	34	58	23629256	34	52
11427606	54	26	22926000	44	4	23629306	32	43

NUMERICAL INDEX OF PARTS

PART NO	PAGE	REF NO.	PART NO	PAGE	REF NO.	PART NO	PAGE	REF NO.
23629405	32	34	40060511	46	5	40086696	16	36
23630007	32	56	40060512	46	7	40086697	32	22
23630007	34	56	40060513	46	8	40086698	36	2
23630106	32	38	40061215	26	34	40086699	36	14
23630403	32	41	40061246	16	15	40086709	28	15-89
23630502	32	42	40061767	48	3	40086711	26	46
23630601	32	40	40062168	26	19	40086712	28	52
23630650	32	39	40062323	42	1	40086735	16	34
23639008	42	2	40063697	48	18	40086736	16	40
26201004	4	73	40064805	58	3	40086748	28	65
26220707	58	10	40064806	58	4	40088958	6	25
26302901	12	14	40064839	48	8	40088959	6	26
40000264	48	12	40065564	58	5	40089605	48	1
40000344	32	21	40065571	58	1	40090058	8	6
40003560	50	18	40065572	58	8	40090099	28	61
40004171	8	17	40070134	14	42-58	40095175	52	3
40004171	48	15	40070531	12	13	40095844	36	1
40009037	4	61	40075404	34	59	40096325	40	21
40010278	36	8	40085784	40	17	40096326	40	10
40010805	24	11	40085785	40	18	40096327	40	12
40013595	32	32	40085786	40	2	40102087	44	18
40015671	28	66-99	40085787	40	3	40102261	2	26
40023223	48	22	40085788	40	4	40107708	48	2
40024124	48	6	40085789	40	5	40108401	40	16
40026277	16	10	40085790	40	6	40108402	40	1
40026281	16	28	40085791	40	7	40126724	4	85
40026282	16	32	40085792	40	19	40135803	44	1
40029398	26	37	40085793	40	20	40135904	8	15
40032269	8	38	40085794	40	8	40135905	8	31
40035589	2	16	40085795	40	9	40135907	8	35
40036997	26	35	40085796	40	23	40135916	8	16
40036998	26	33	40086597	8	20	40136258	34	63
40037005	16	27	40086602	8	8-48	40136701	26	14
40037008	6	32	40086604	10	8-48	40139753	2	7
40037146	46	1	40086605	8	9	40141440	8	44
40037365	16	9	40086606	12	38	40141757	12	16
40038328	34	48	40086607	12	39	40145927	24	10
40042079	16	17	40086616	16	45	40149785	32	20
40044065	58	2	40086623	28	68	40149791	8	46
40044857	8	12	40086635	28	54	40166870	6	3
40046108	52	14	40086679	52	31	40166872	6	4
40052933	4	55	40086680	52	30	40166881	6	5
40055591	44	10	40086691	24	13	40166885	6	6
40058504	16	16	40086692	24	14	40166886	6	7
40060341	54	6	40086695	16	35	40166887	6	8

NUMERICAL INDEX OF PARTS

PART NO	PAGE	REF NO.	PART NO	PAGE	REF NO.	PART NO	PAGE	REF NO.
40166888	6	9	40172418	8	24	40172481	26	20
40166893	6	10	40172420	38	5	40172482	26	21
40166894	6	11	40172421	56	2	40172483	28	57
40168860	28	24·94	40172422	38	6	40172484	26	24·94
40168921	36	4	40172423	38	7	40172485	28	1·92
40168922	20	10	40172424	14	55	40172486	26	3·97
40168923	12	34	40172425	12	17	40172487	26	2
40169398	38	8	40172428	12	20	40172488	28	4·93
40172134	16	25	40172429	12	22	40172489	26	5
40172135	24	16	40172430	32	16	40172490	28	69
40172137	20	2	40172433	32	17	40172491	26	39
40172138	16	44	40172436	32	29	40172494	26	40
40172146	8	27	40172437	32	19	40172495	28	53
40172364	2	1	40172439	20	41	40172496	28	56
40172366	2	14	40172440	20	28·44	40172497	26	7
40172367	2	29·30	40172443	20	14	40172498	26	9
40172368	2	31·32	40172444	20	18	40172499	26	11·91
40172369	2	29·30	40172446	20	21	40172500	26	17·90·98
40172370	2	31·32	40172448	20	24	40172501	28	72
40172371	2	3	40172451	20	34	40172502	28	73
40172373	2	4	40172452	20	35	40172503	28	74
40172374	2	5	40172453	20	29	40172504	28	71
40172375	2	11	40172454	20	23	40172508	16	43
40172376	2	12	40172455	20	12	40172509	18	49
40172377	8	25	40172456	36	6	40172510	18	50
40172378	16	46	40172457	36	13	40173450	38	1
40172384	4	63·91	40172458	36	12	40173451	38	2
40172386	38	4	40172460	16	41	40173459	38	3
40172389	12	4	40172461	20	38	40174291	16	47
40172390	2	37	40172463	12	31	40174293	18	52
40172391	2	18	40172464	14	49	40174294	18	53
40172392	2	22	40172465	12	11	40174295	12	28
40172393	8	22	40172466	12	36	40174296	16	1
40172398	8	21	40172467	16	38	40174297	16	2
40172399	8	1	40172469	32	6	40174298	16	7
40172404	12	1·48·57	40172470	4	76	40174299	16	26
40172405	14	1·48·57	40172472	4	86	40174300	16	13
40172407	12	2	40172473	4	87	40174302	16	14
40172408	12	3	40172474	4	88	40174305	2	20
40172409	12	5	40172475	4	74	40174306	32	11
40172410	12	7	40172476	4	67	40174307	32	33
40172411	12	8	40172477	26	26·95	40174308	12	26
40172412	12	9	40172478	26	27·96	40174309	12	18
40172413	12	10	40172479	26	28	40174311	4	72
40172415	14	54	40172480	26	30	40174312	4	90

NUMERICAL INDEX OF PARTS

PART NO	PAGE	REF NO.	PART NO	PAGE	REF NO.	PART NO	PAGE	REF NO.
40174313	4	84	40174408	38	13	40200725	58	28
40174314	30	27·96	40174410	56	1	40200727	58	27
40174315	28	17·90·98	40174570	44	11	40200729	58	29
40174316	28	11·91	40174573	12	44	40200731	58	30
40174317	18	60	40174574	12	25	40201424	58	11
40174318	26	4·93	40174577	20	46	40206840	58	15
40174321	20	5	40174580	38	10	40206841	58	17
40174323	26	13·88	40174581	20	15	40206842	58	33
40174324	26	15·89	40174582	20	16	40206843	58	9
40174325	20	9	40174583	26	41	B1109012I0B	4	58·59
40174328	24	1	40174584	26	44	B1116210D00	26	8
40174331	24	6	40174590	20	1	B1116210D00	42	3
40174332	24	7	40174598	44	8	B1116804000	28	60
40174333	24	17	40174600	30	26·95	B1155771000	50	41
40174334	20	40	40174610	30	66·99	B15240120BA	12	42·58
40174335	24	19~23	40174612	30	17·90·98	B1613012I00	20	45
40174336	24	19~23	40175585	38	14	B1620487000	54	16
40174337	24	19~23	40178658	32	37	B2431215000	18	51
40174338	24	19~23	40181990	28	63	B3118552H00	4	79
40174341	8	30	40182053	28	62	B3132012000	4	89
40174342	8	32	40182291	4	58·59	B412352200A	16	4~6
40174343	8	33	40184950	26	1·92	B412352200B	16	4~6
40174344	8	34	40184951	30	3·97	B412352200C	16	4~6
40174349	8	41	40188608	2	38	B8210012000	56	6
40174350	4	65	40189264	52	12	B9117012000	48	5
40174351	24	27	40189526	52	2	B9117552A00	24	33
40174353	48	9	40189528	52	35	B91210120A0	44	19
40174356	34	60	40189529	52	9	BT0400251EB	50	11
40174358	32	3	40189530	54	14	BT0400251EB	54	30
40174359	32	4	40189531	52	1	BT0600401EB	50	42
40174360	32	7	40189532	50	2	BT0800501EB	50	35
40174361	32	8	40189533	4	63·91	BT1600101EB	58	37
40174362	32	13	40191107	6	1	BT1601001Z0	50	39
40174365	32	44	40191108	6	12	CM300200001	2	27
40174369	24	19~23	40191109	6	13	CM300200003	2	28
40174372	36	16	40191111	6	14	CQ200000001	34	57
40174373	4	49	40191113	6	15	CQ250000001	34	54
40174384	12	23	40191114	6	16	CS0800881TP	26	22
40174385	4	53	40191115	6	17	CS1000881TP	8	39
40174392	4	50	40191116	6	18	CS1201171TP	20	7
40174394	32	12	40191118	48	11	D1524555EBL	48	7
40174396	20	28·44	40191126	48	13	D8204555D00	56	21
40174398	28	13·88	40191127	48	14	D8226555E00	56	7
40174399	34	62	40191349	20	36	EA9500B0100	2	35·36
40174405	18	58	40199666	14	1·48·57	EA9500B0100	8	29

NUMERICAL INDEX OF PARTS

PART NO	PAGE	REF NO.	PART NO	PAGE	REF NO.	PART NO	PAGE	REF NO.
EA9500B0100	14	52	PJ304085103	50	26	SK3412000SC	50	33
EA9500B0100	38	15	PJ308080001	50	36	SK3415001SE	58	6
EA9500B0100	44	12	PJ308085201	50	17	SK3512001SE	58	34
EA9500B0100	52	38	PS0500142KP	14	53	SK3513200SC	56	22
EA9500B0100	58	36	PV130524000	50	24	SL4030641SE	52	21
F10120030A0	50	40	PV135103000	50	23	SL4030881SF	50	30
G1812870000	24	12	RC0410415KP	4	77	SL4031291SC	14	51
G1812870000	46	6	RC0740811KP	20	31	SL4031491SC	20	37
GPK26023000	12	45	RC1200001KP	20	4	SL4031691SC	14	50
GPK700010A0	56	9	RC1700001KP	4	81	SL4040881SC	4	62
GPK710010A0	56	20	RC2651218KP	26	32	SL4041281SC	4	64
HK03464000T	52	33	RE0250000K0	52	18	SL4051091SC	32	30
HW500070000	52	32	RE0300000K0	8	36	SL6040892TN	2	39
HX00150000A	12	46	RE0400000K0	4	75	SL6040892TN	32	24
HX00150000K	34	65	RE0500000K0	4	66	SL6051492TN	2	15
HX002330000	50	45	RE0500000K0	6	19	SL6052592TN	8	28
HX00292000A	50	46	RE0500000K0	12	21	SL6061292TN	12	37
KX000000230	2	35-36	RE0500000K0	28	48	SM0050801SC	6	33
MAO11532000	58	35	RE0600000K0	54	13	SM2040750TP	2	25
MC200500752	44	16-17-21	RE0800000K0	12	6	SM2040955TP	2	24
MC200501300	48	4-23	RE0900000K0	58	23	SM4040601SC	12	47
MDB100B1100	8	42-43	RO036080200	24	35	SM4040655SP	12	12
MDB100B1102	44	16-17-21	RO037180100	32	45	SM4040655SP	18	59
MDB100B1400	8	42-43	RO048190100	32	23	SM4040655SP	32	14
MDB100B1402	44	16-17-21	RO061180100	32	18	SM4040855SP	2	17
MDB100B2100	48	4-23	RO068190100	34	49	SM4041055SP	34	61
NM6040000SN	4	71	RO098240100	32	31	SM4041255SP	20	39
NM6040001SE	26	42	SB106000400	12	19	SM4041255SP	58	14
NM6040001SP	28	67	SB106000500	12	24	SM4041455SN	2	10
NM6050001SC	26	16	SB108000200	12	27	SM4050655SP	4	54
NM6050001SE	40	25	SB120001800	20	3	SM4050655SP	26	10
NM6060001SC	28	58	SB120002700	8	11	SM4050655SP	50	10
NS6090310SP	52	16	SB408000100	20	33	SM4050655SP	52	37
NS6110310SP	28	51	SB408000100	24	18	SM4050655SP	54	28
NS6110310SP	52	17	SB408000100	36	11	SM4050855SP	2	70
NS6150310SP	28	77	SB412000100	20	6	SM4050855SP	4	70
PA1003018B0	54	17	SD0500403TP	26	25	SM4050855SP	16	31
PC010507000	54	19	SD0500701TP	28	50	SM4050855SP	36	17
PF902005000	50	19	SD0600291TP	54	11	SM4050855SP	52	36
PJ032526001	50	16	SD0630275SP	28	75	SM4051055SP	2	13
PJ301040501	50	31	SD0640321SP	54	10	SM4051055SP	6	31
PJ301040502	50	7	SD0641456TP	26	38	SM4051255SP	2	2
PJ301060501	50	29	SD0650321TP	52	19	SM4051255SP	20	22
PJ301080001	50	13	SK3311600SE	56	19	SM4051255SP	32	5
PJ301085102	50	25	SK3382001SC	56	15	SM4051255SP	36	9

NUMERICAL INDEX OF PARTS

PART NO	PAGE	REF NO.	PART NO	PAGE	REF NO.	PART NO	PAGE	REF NO.
SM4051405SE	40	24	SM80608A2TP	4	56	SV4030802SN	38	11
SM5040655SN	2	42	SM80608A2TP	8	37	TA0180401M0	24	8
SM5040655SN	6	20	SM80608A2TP	12	29	TA0290301M0	24	9
SM5040655SN	34	55	SM80608A2TP	22	48	TA1250406R0	2	40
SM6031002TN	4	82	SM80608A2TP	24	24	WP0330501SB	52	29
SM6040602TP	32	9	SM80608A2TP	26	12	WP0410846SC	4	68
SM6041002TP	12	35	SM8061010TP	28	80	WP0450801SD	32	15
SM6041002TP	20	11	SM8061050TP	28	79	WP0482086SD	54	7
SM6041002TP	36	5	SM8081652TP	8	18	WP0501016SA	54	12
SM6042000SP	8	45	SM8081652TP	48	16	WP0501016SD	52	34
SM6042000SP	20	47	SM8480652TP	20	25	WP0531000SC	54	29
SM6050802TP	20	42	SM8480652TP	26	29	WP0531000SD	16	30
SM6050802TP	28	70	SM8480652TP	36	15	WP0531001SC	40	15
SM6050802TP	34	50	SM9040650TP	20	17	WP0550800SP	20	43
SM6051400SP	12	40	SM9041050SC	54	18	WP0621016SD	26	45
SM6051400SP	16	29	SM9061203SE	58	18	WP0621016SH	28	78
SM6051402TP	26	18	SM9086523SE	56	24	WP0621036SP	14	56
SM6051602TP	18	55	SQ2050453MZ	34	64	WP0650416UZ	58	31
SM6051602TP	36	3	SS1110710SP	54	23	WP0661016SP	12	33
SM6051802TP	54	24	SS4080620TP	20	30	WP0820516SP	20	32
SM6051850TP	18	57	SS4110515SP	54	27	WP0820526SD	12	30
SM6060802TP	2	23	SS4110715SP	50	32	WP0871602SE	56	28
SM6061002TP	20	13	SS4111015SP	24	28	WP0951016SP	12	41
SM6061002TP	28	81	SS6060210SP	2	34	WP1221016SP	58	32
SM6061002TP	36	7	SS6080320SP	54	20	WP1612616SE	40	22
SM7040800SL	4	69	SS6090540SP	52	22	WS0410002KR	26	43
SM8040412TP	6	21	SS6090620TP	16	20	WS0510002KN	40	14
SM8040612TP	4	78	SS6090670TP	8	5	WS0861410KR	56	27
SM8050402TP	32	2	SS6090670TP	16	8			
SM8050502TP	6	22	SS6090670TP	26	36			
SM8050612TP	18	61	SS6110710TP	24	15			
SM8050612TP	36	10	SS6110710TP	26	47			
SM8050612TP	58	12	SS6121610SP	16	18			
SM80506A2TP	8	40	SS7080510TP	8	7			
SM80506A2TP	16	37	SS7091110TP	12	43			
SM80506A2TP	26	31	SS7110710SP	50	6			
SM8050802TP	38	12	SS7111110TP	12	15			
SM80508A2TP	12	32	SS8080310TP	52	27			
SM80606A2TP	8	19	SS8110422TP	54	9			
SM80606A2TP	16	42	SS8110520TP	54	8			
SM80606A2TP	20	8	SS8110710SP	46	9			
SM80606A2TP	28	64	SS8150822TP	16	3			
SM80606A2TP	48	17	SS8660610TP	16	24			
SM8060812TP	28	55	ST4030551SN	58	13			
SM80608A2TP	2	56	ST4030651SN	6	23			